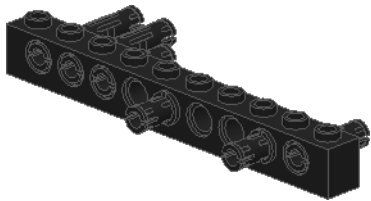
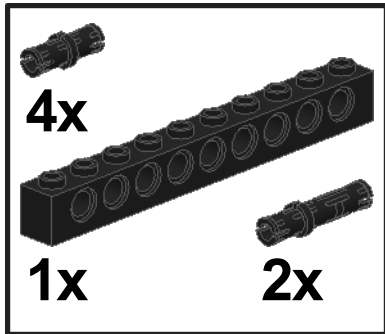
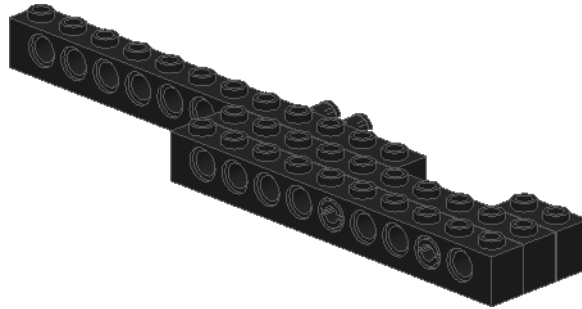
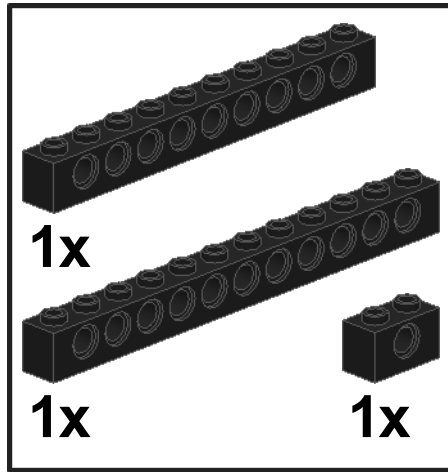


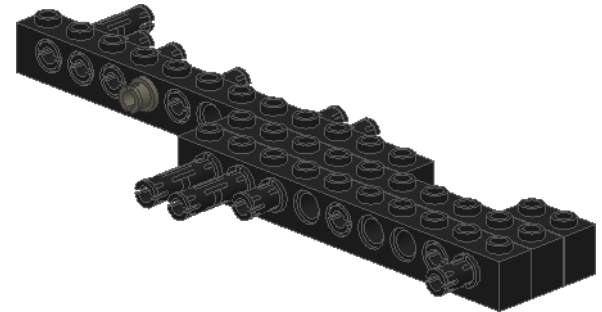
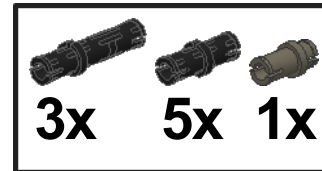
1



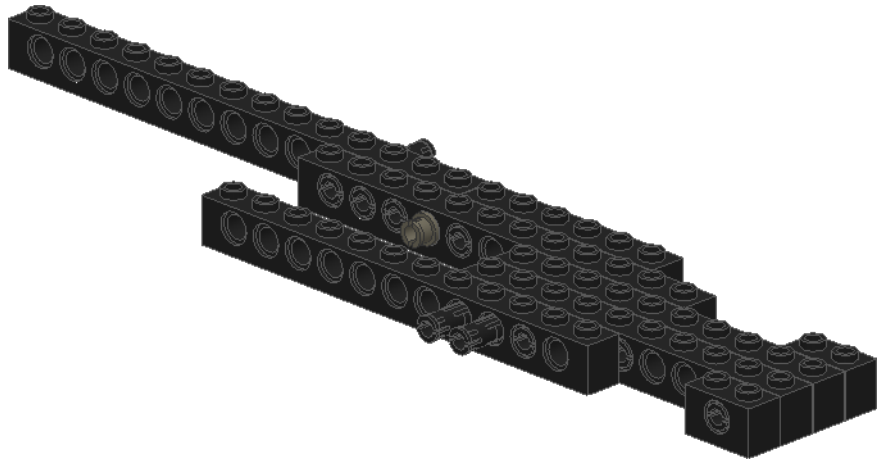
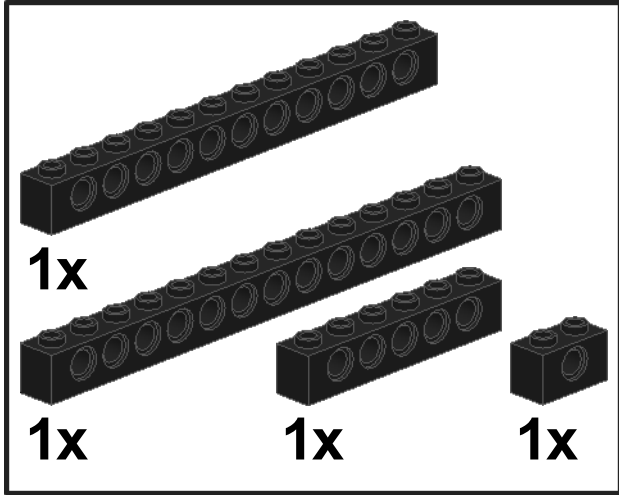
2



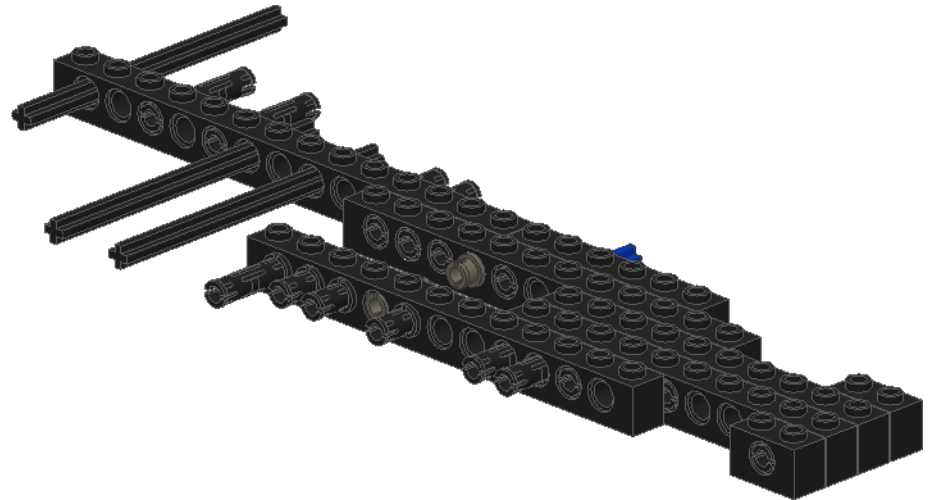
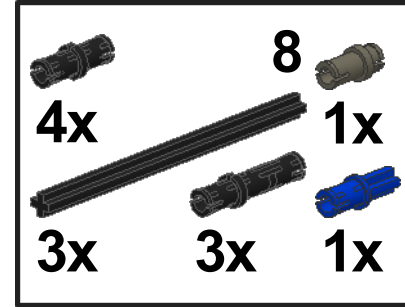
3



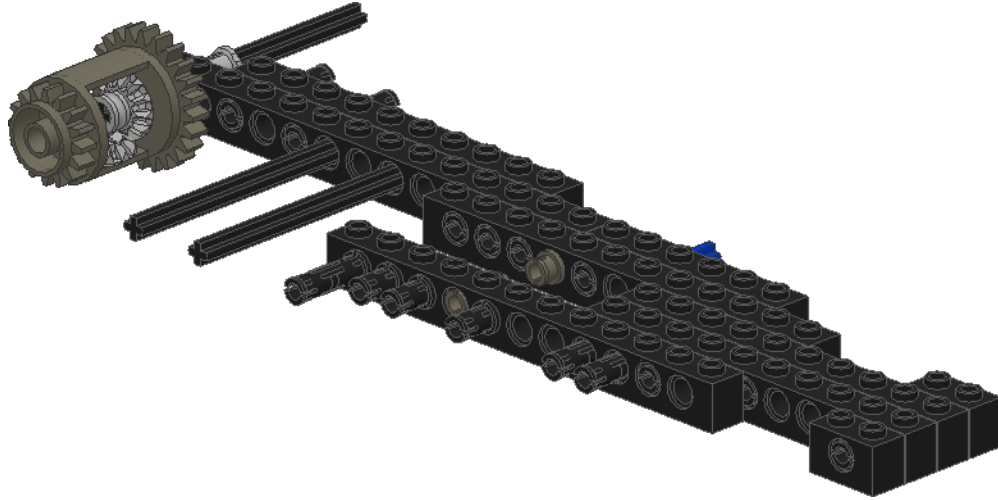
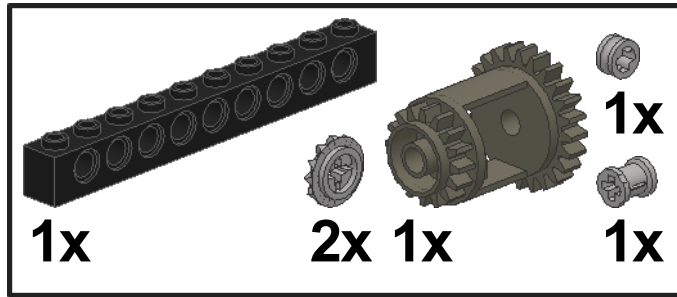
4



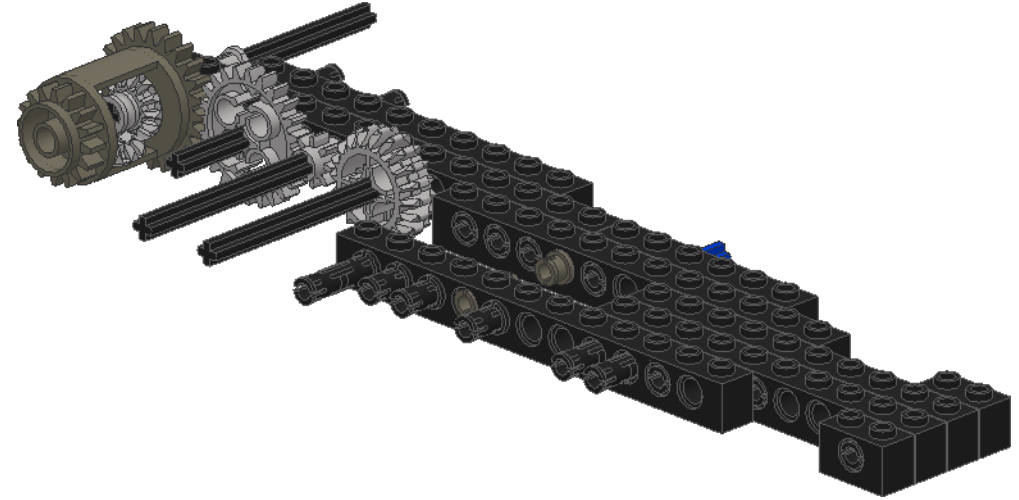
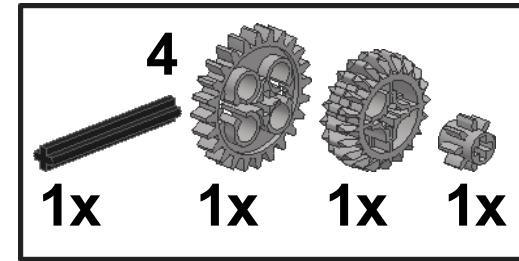
5



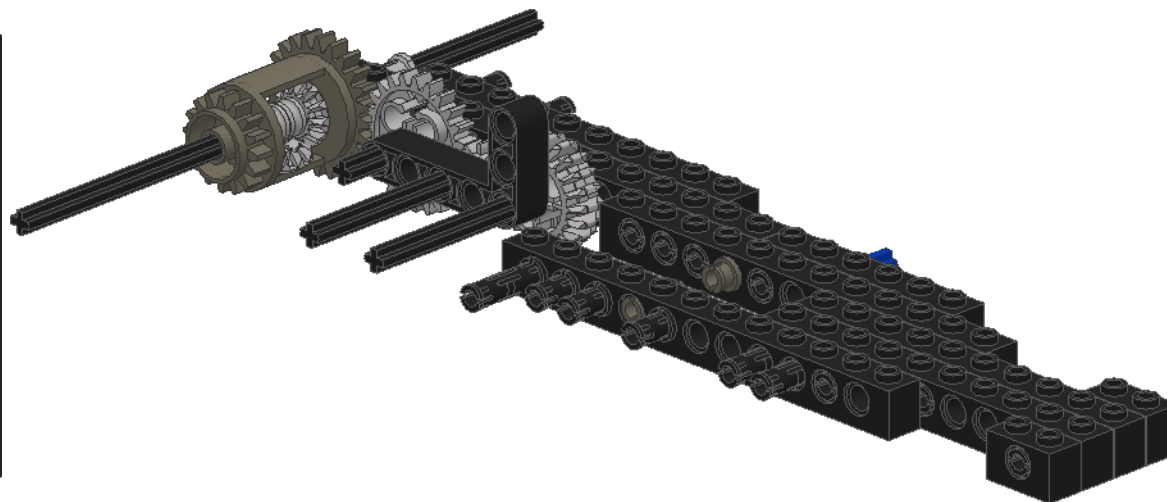
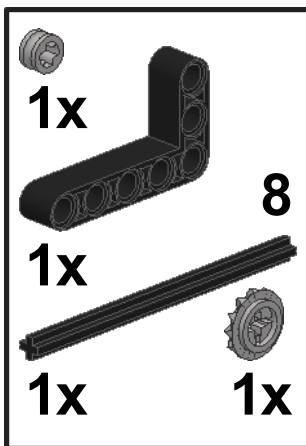
6



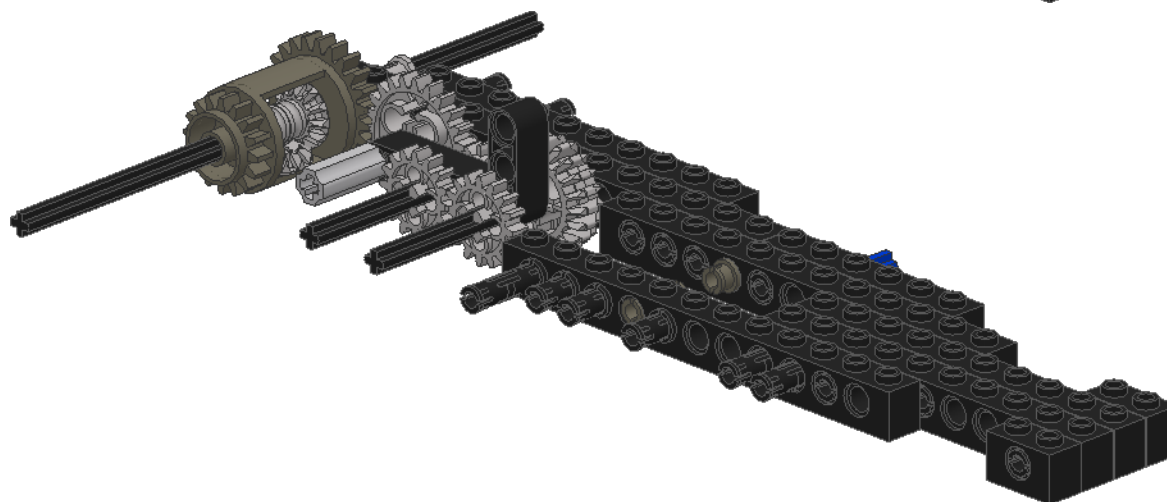
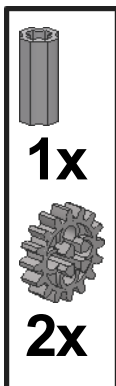
7









8

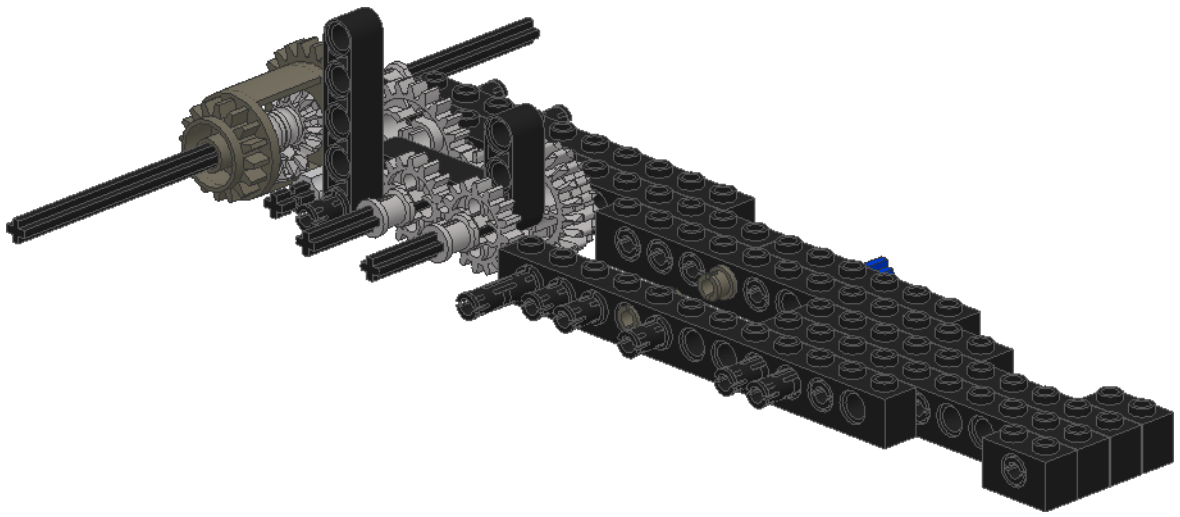


9

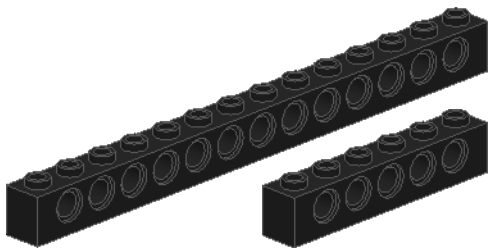
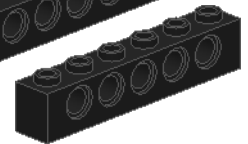


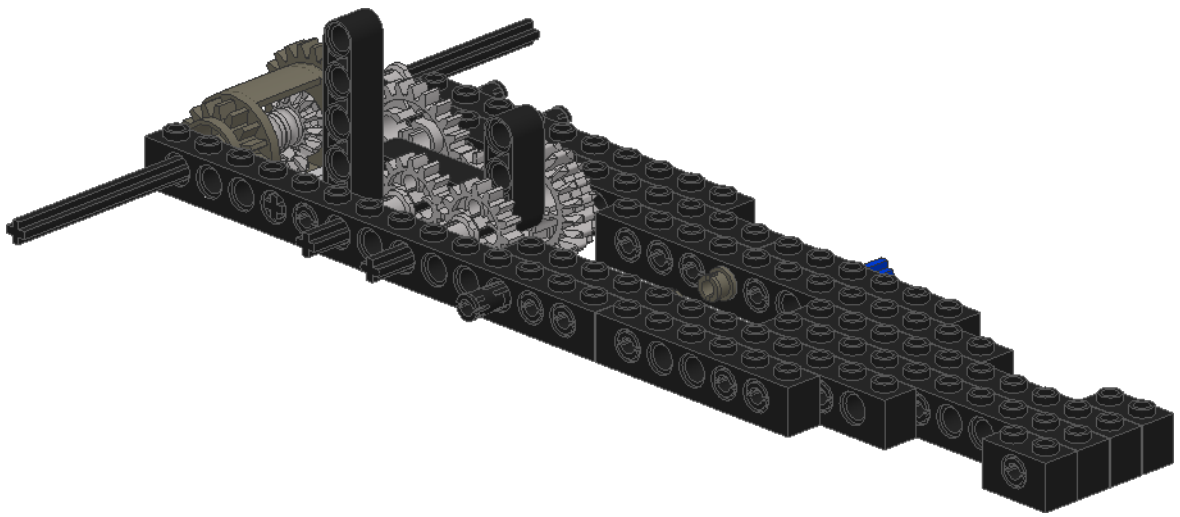
10

	2
	1x
	1x
	5
	1x
	2x

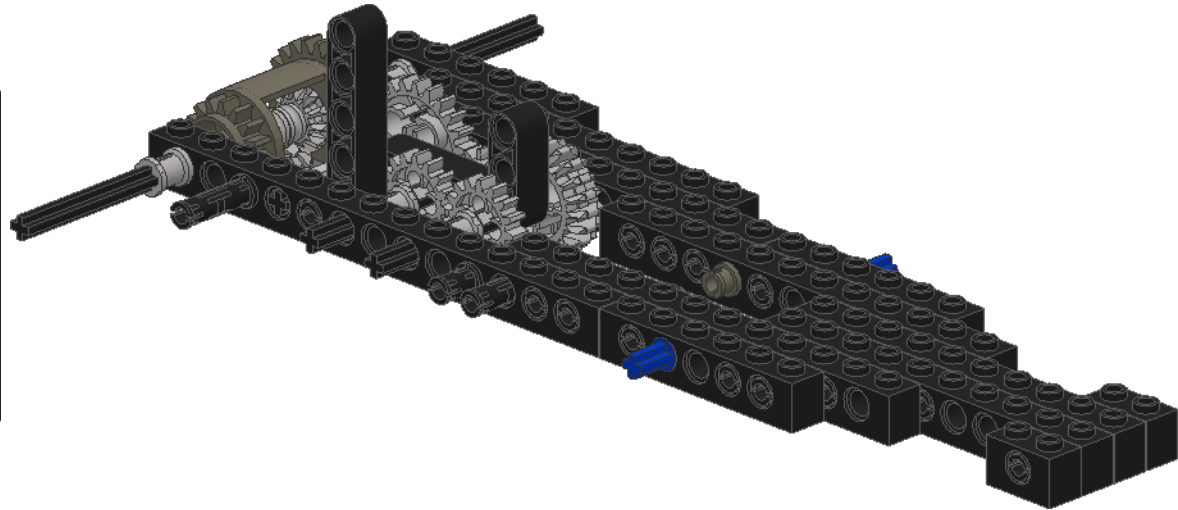
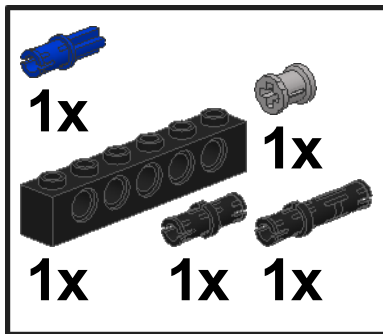


11

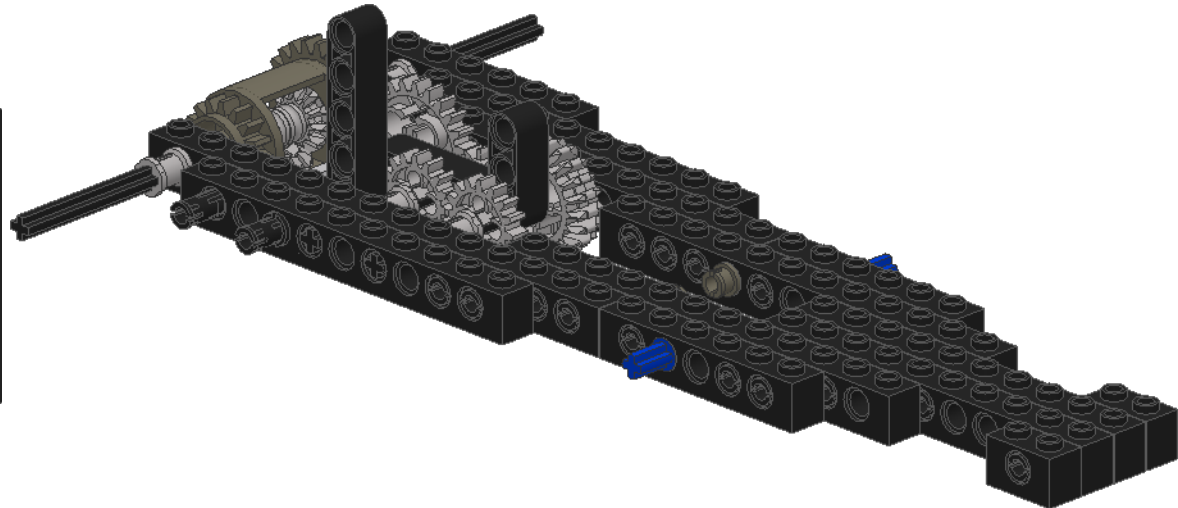
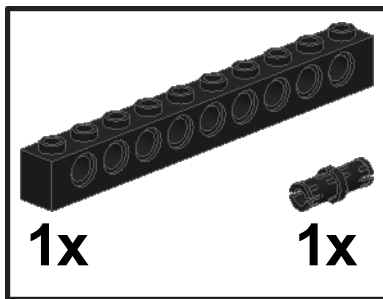
	1x
	1x



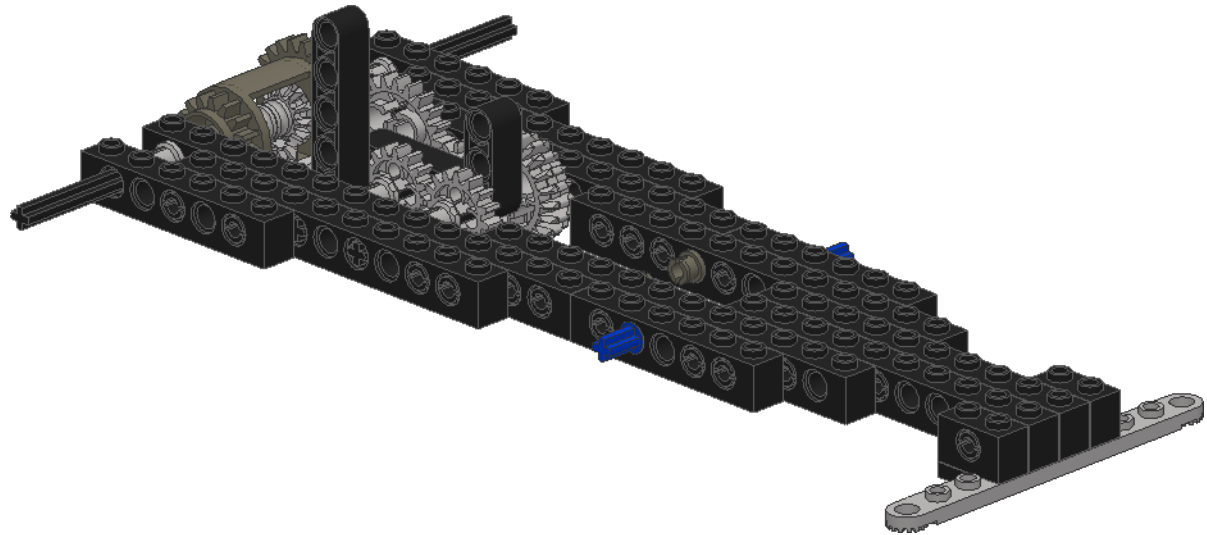
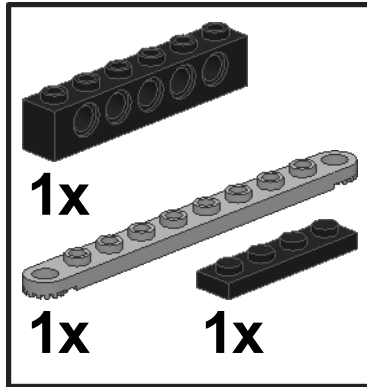
12



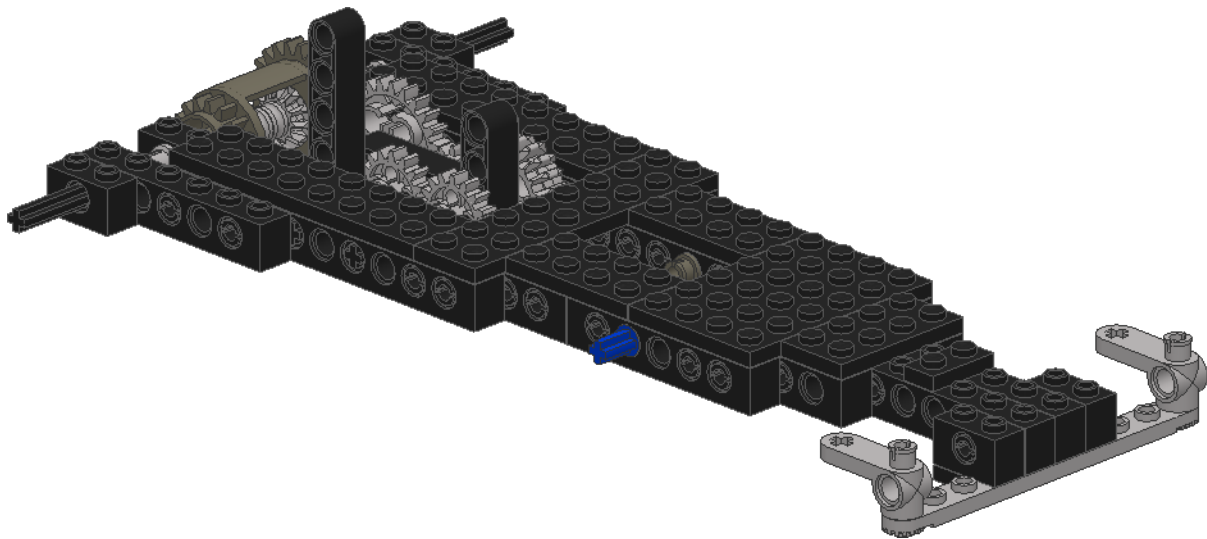
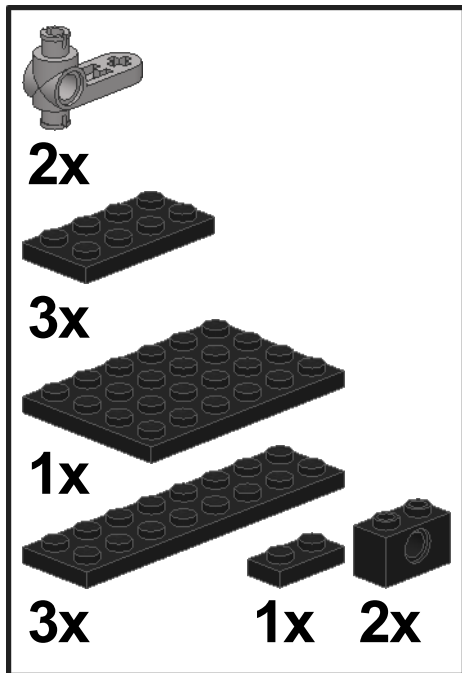
13



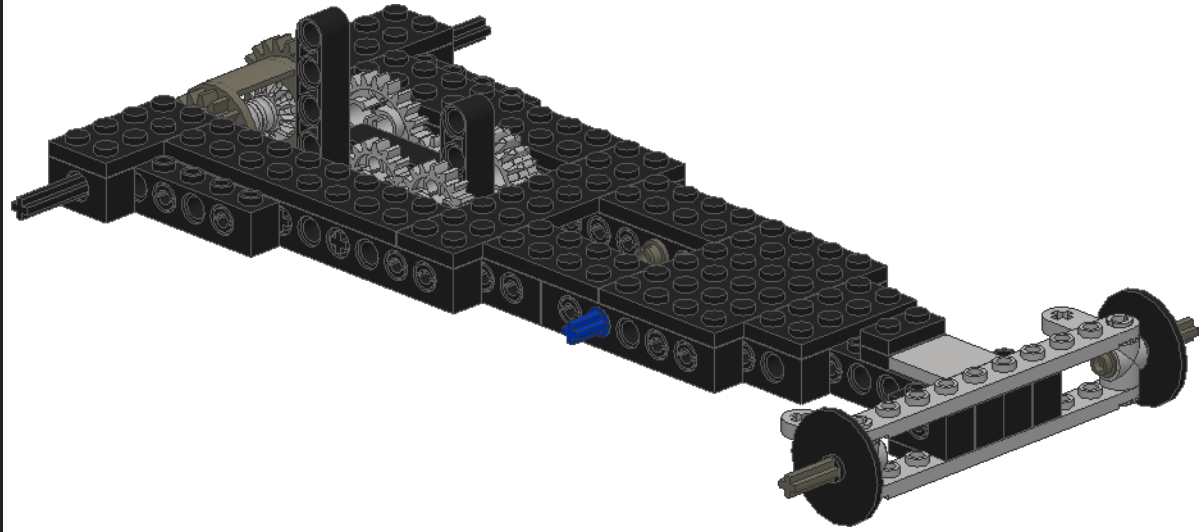
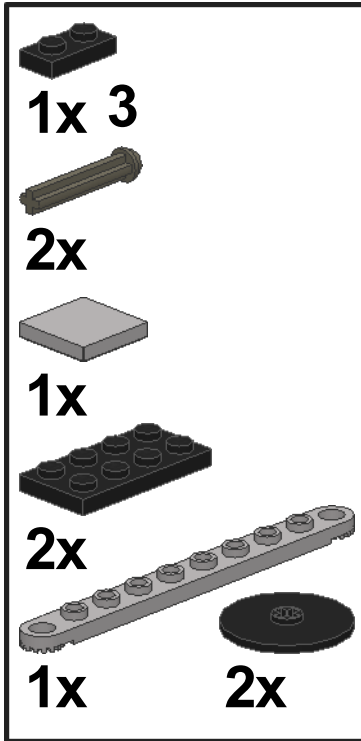
14



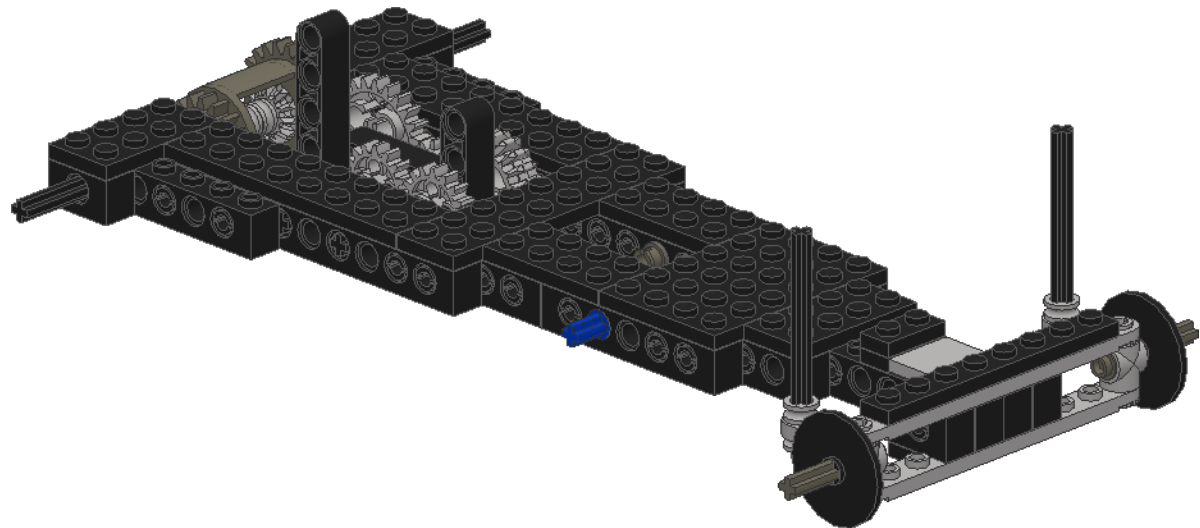
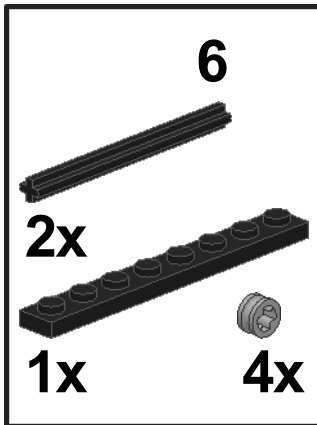
15



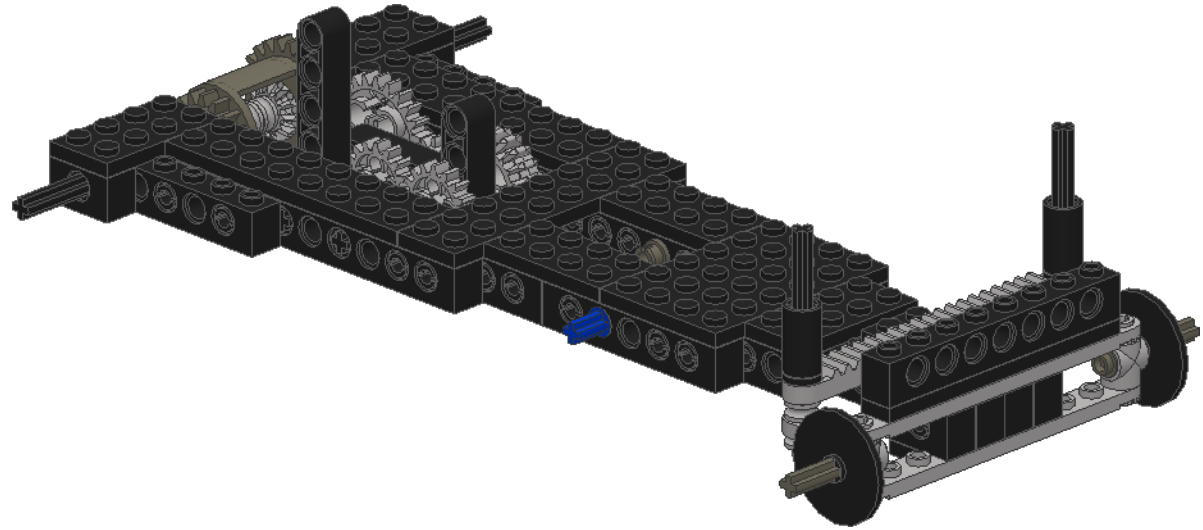
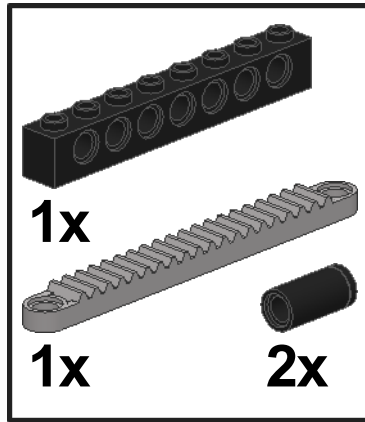
16



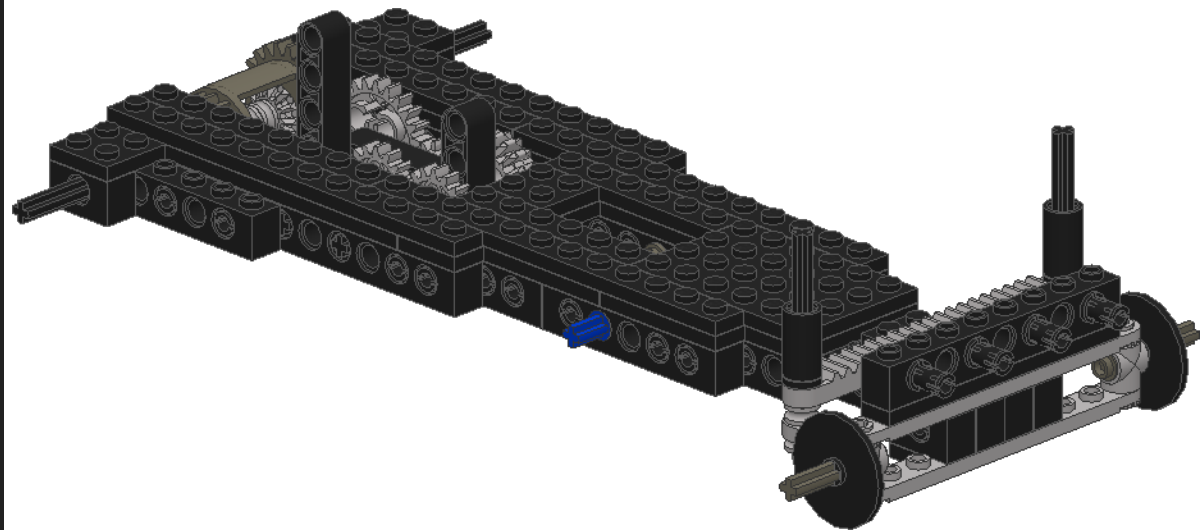
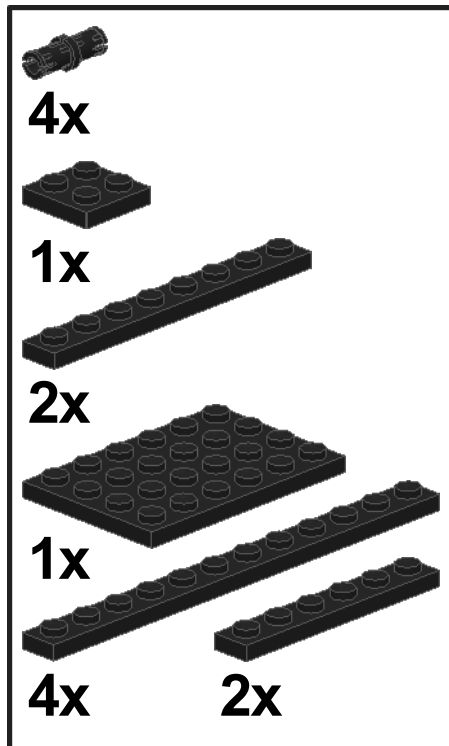
17



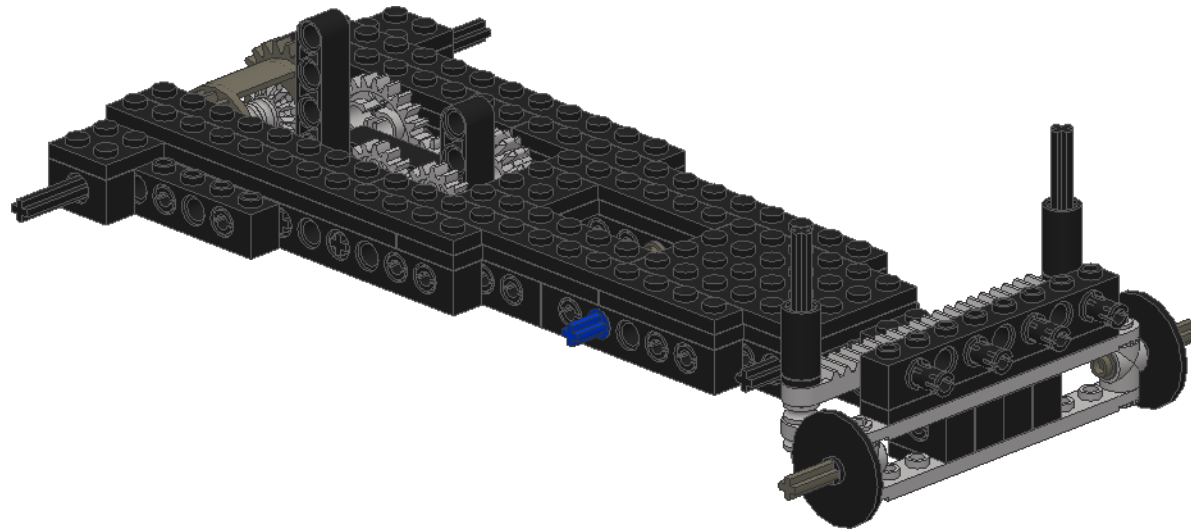
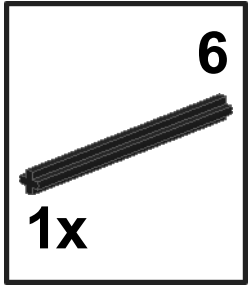
18

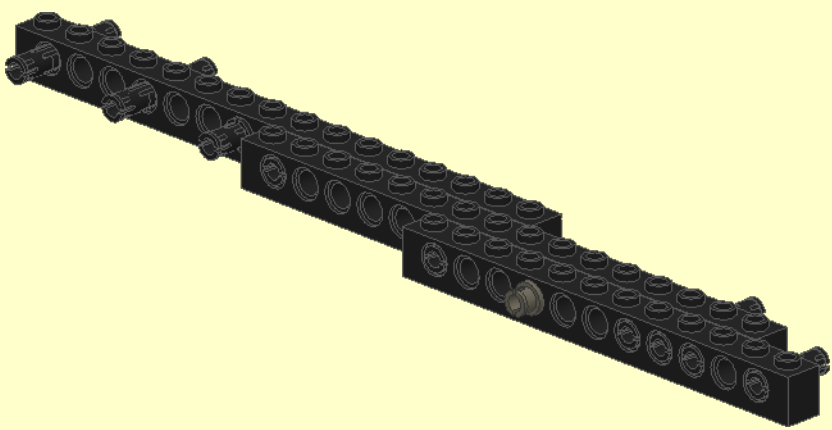
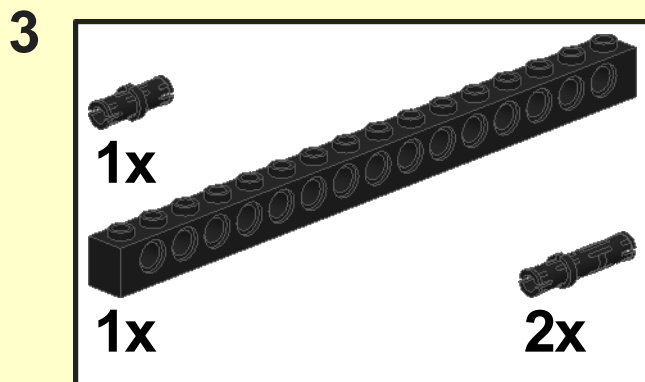
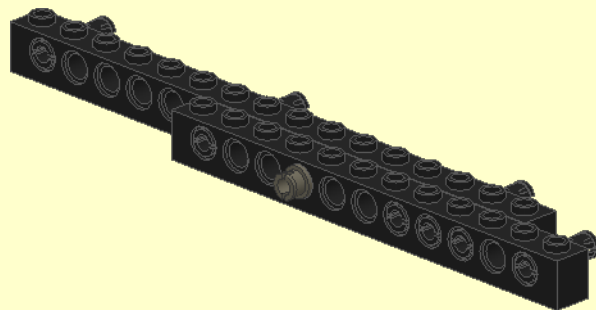
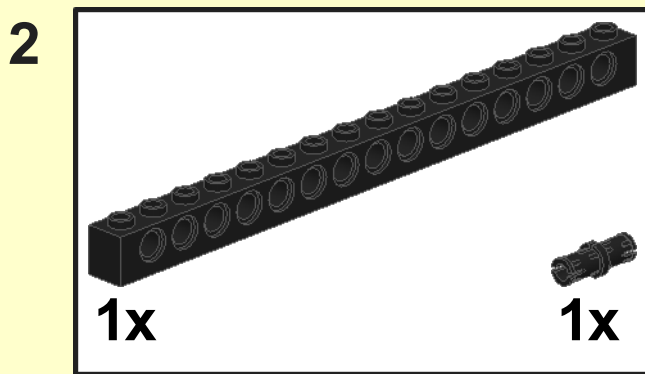
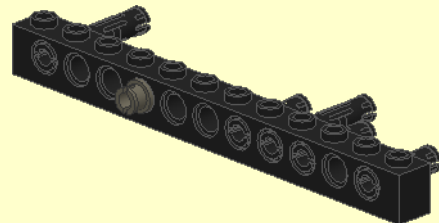
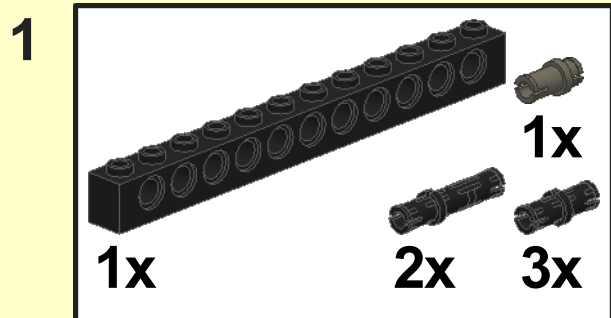


19

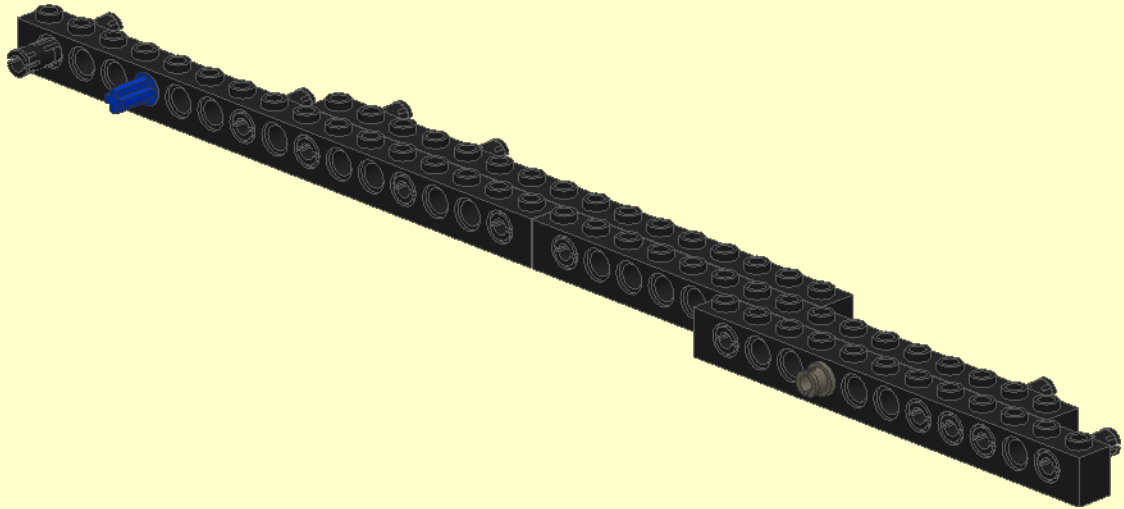
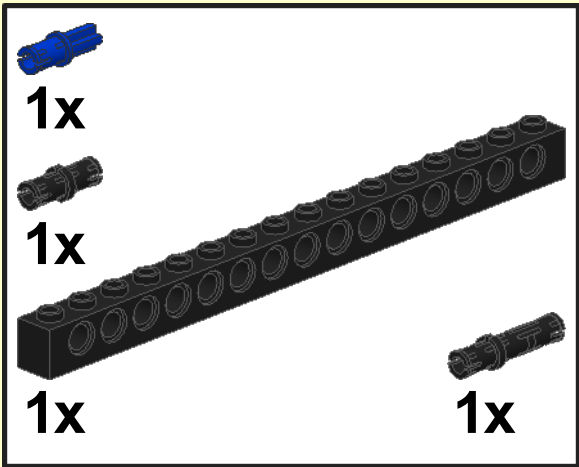


20

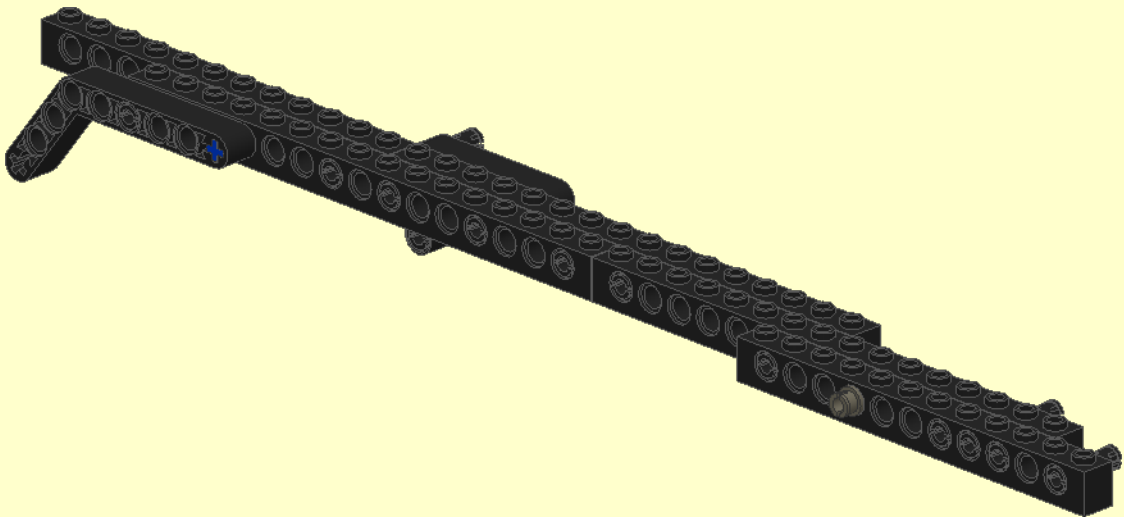
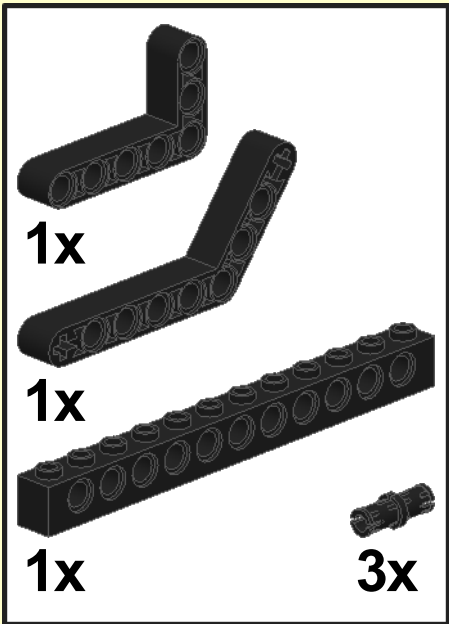




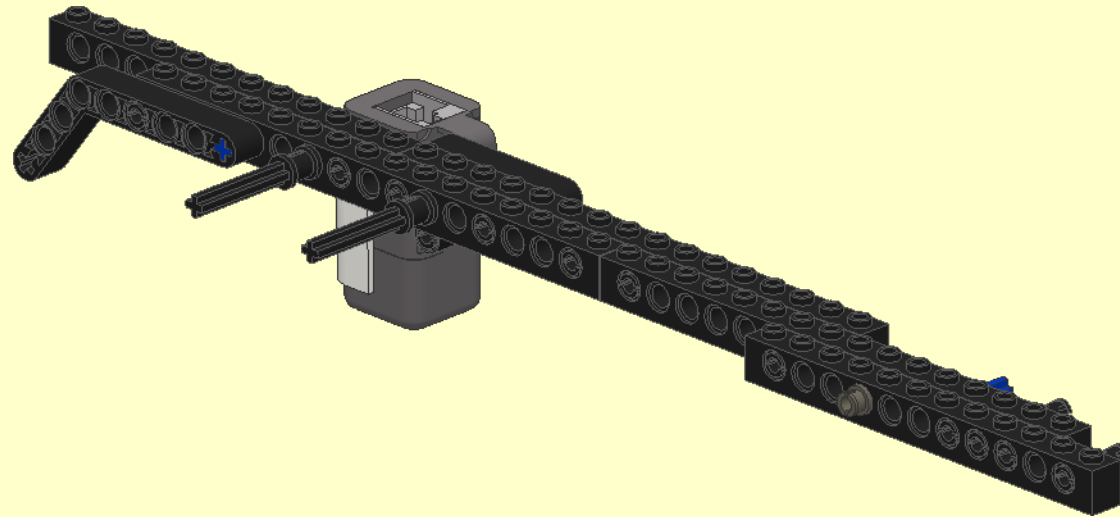
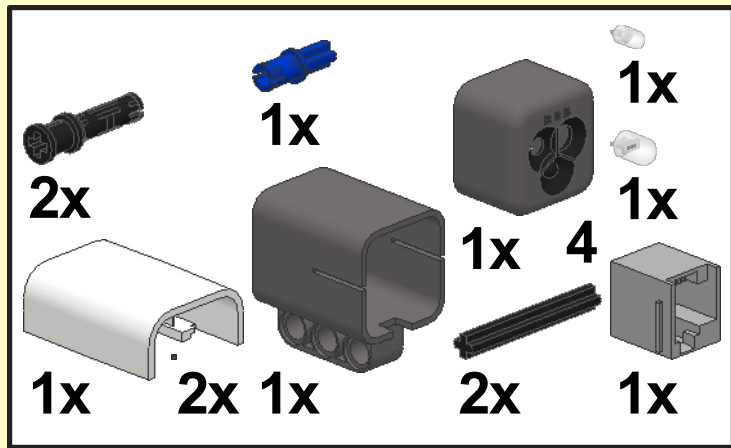
4

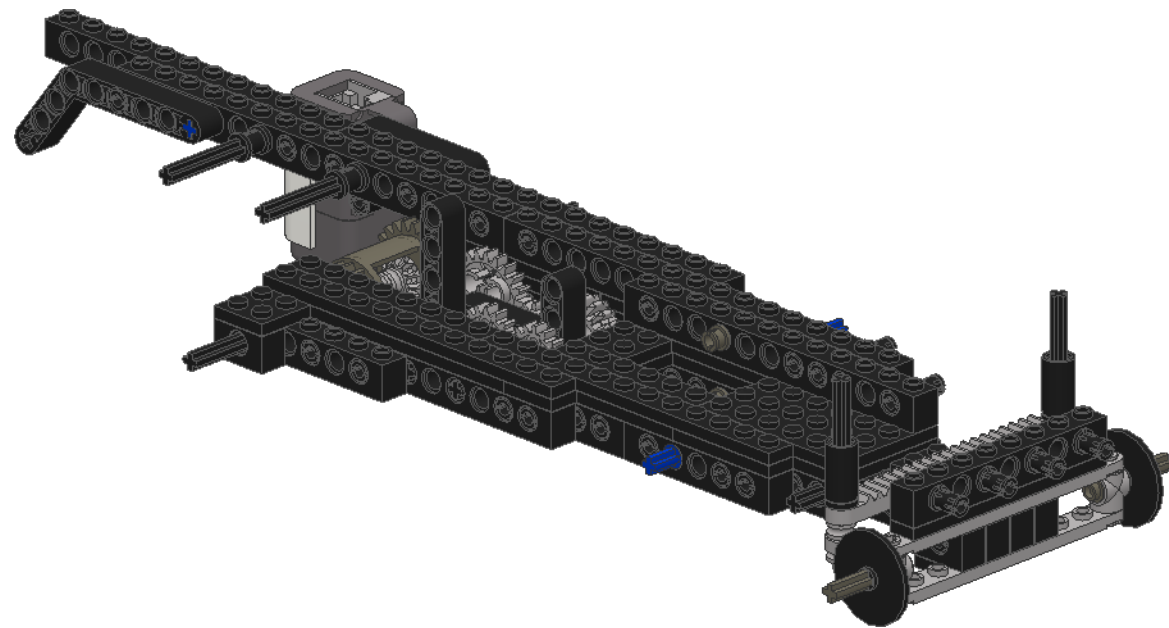


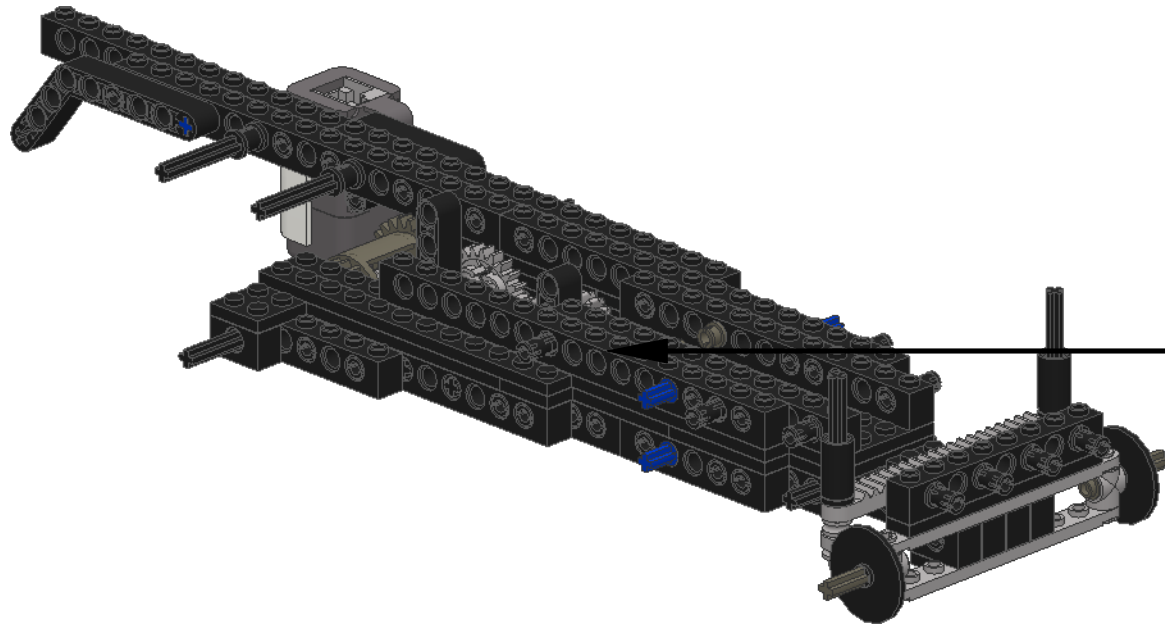
5



6







1

3x
1x

2x 1x

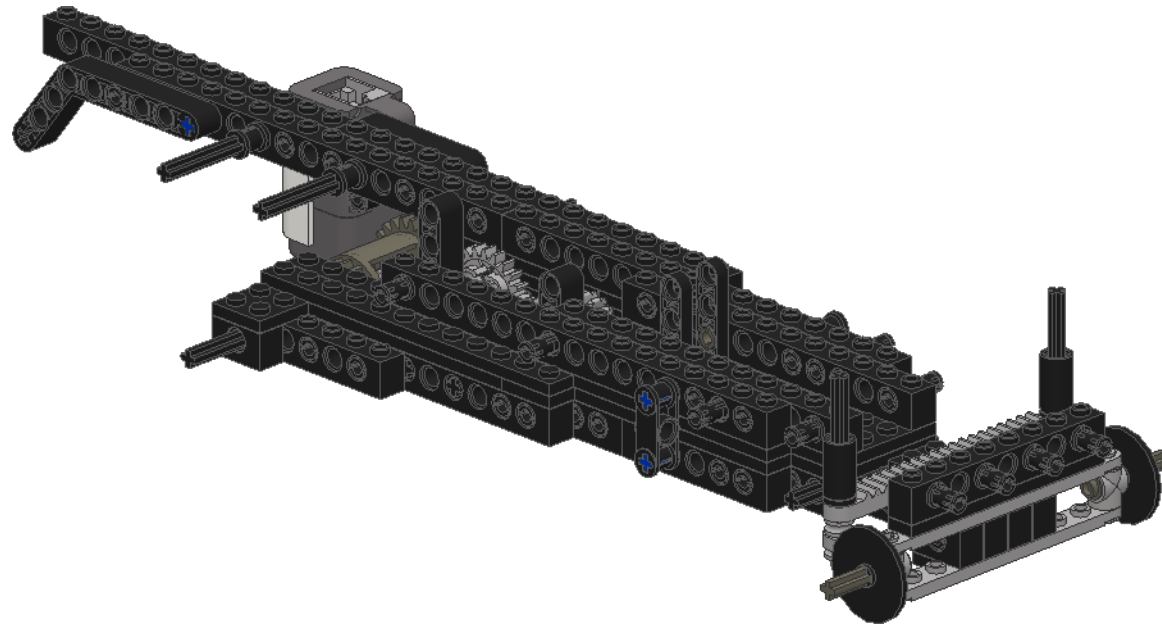
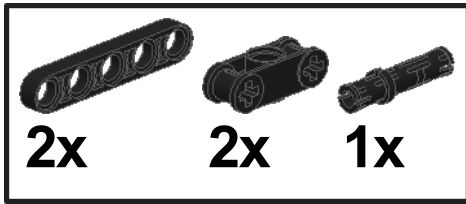
2

1x 1x

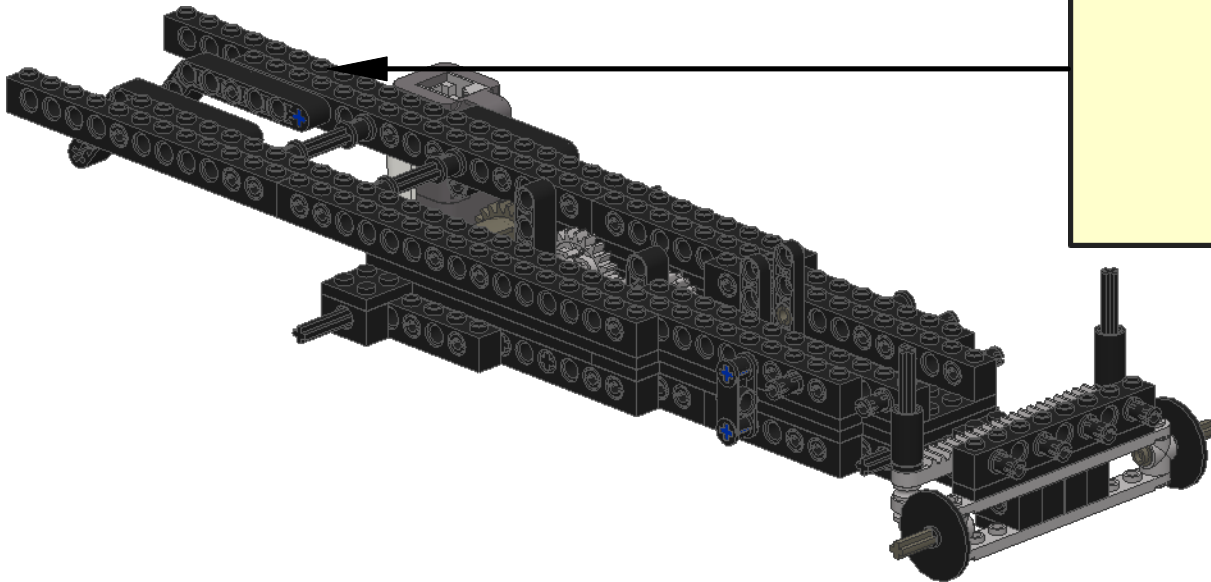
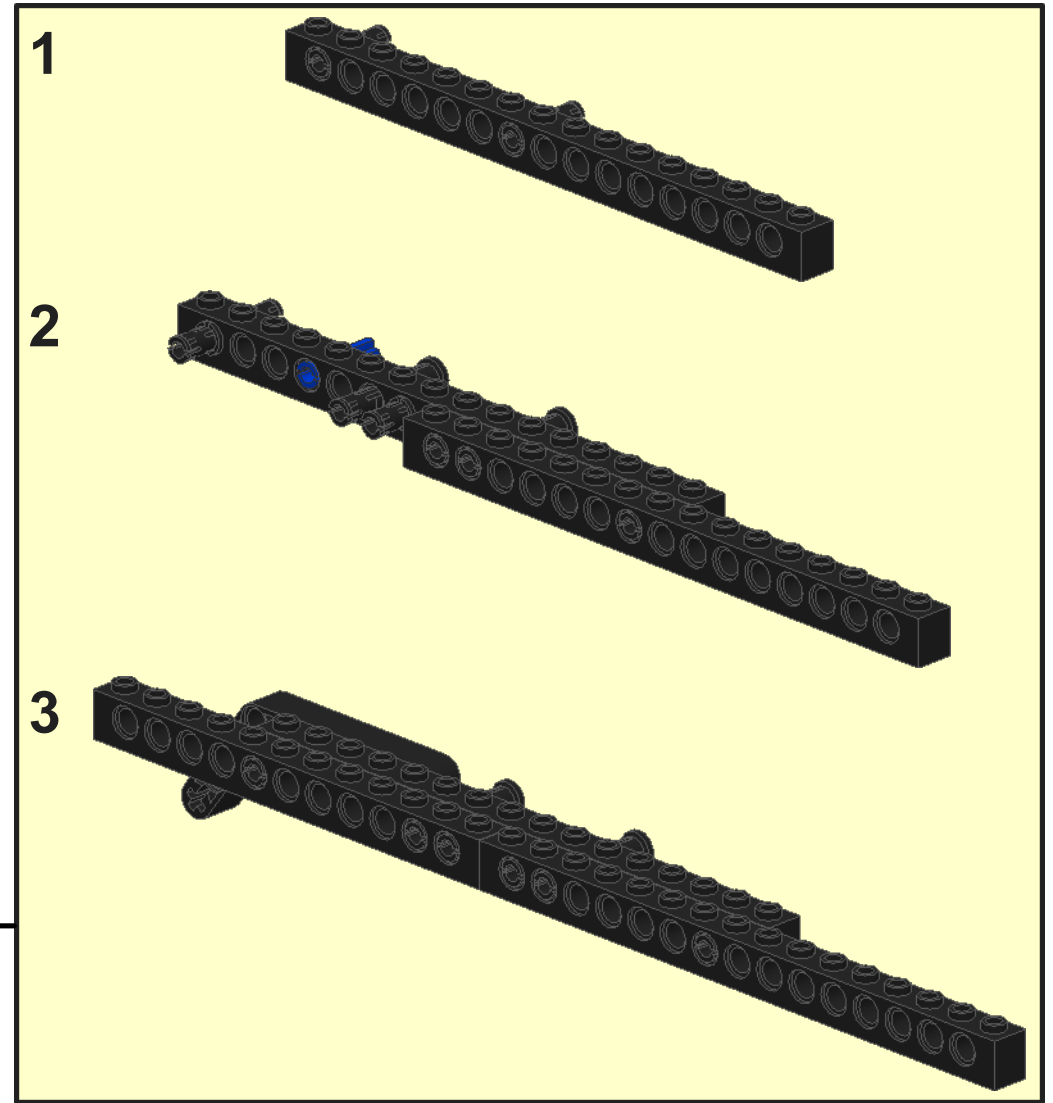
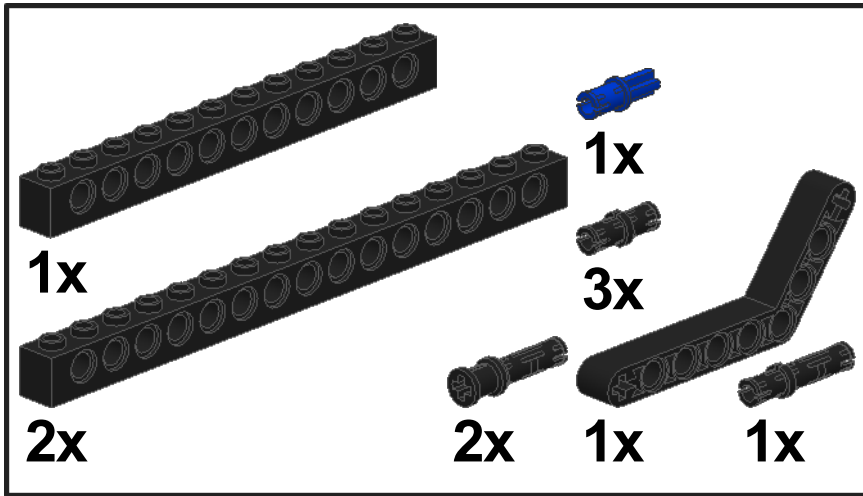
Sub-assembly instructions for step 1: A 1x15 black Technic beam is shown with three pins inserted into holes 1, 2, and 3. Two additional pins are shown separately, labeled '2x' and '1x'. Below this is a perspective view of the completed sub-assembly.

Sub-assembly instructions for step 2: A 1x15 black Technic beam is shown with one blue pin inserted into hole 14. Below this is a perspective view of the completed sub-assembly.

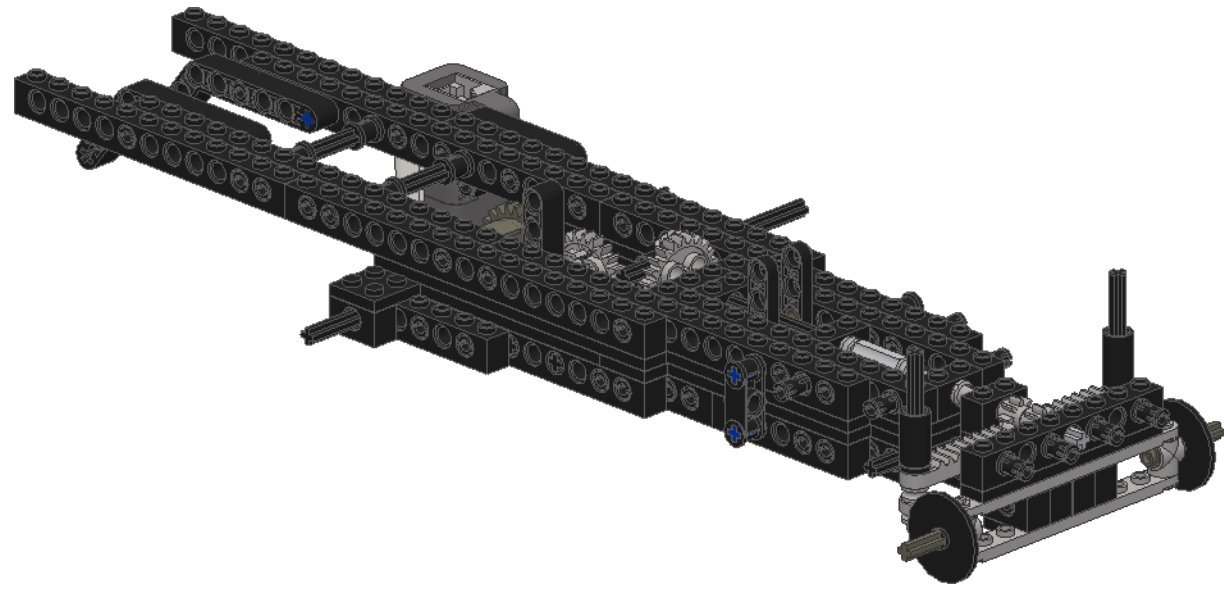
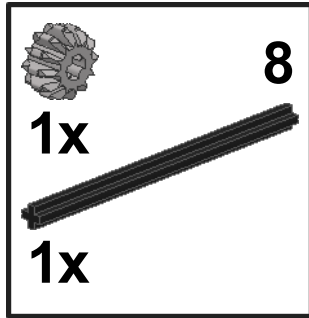
23



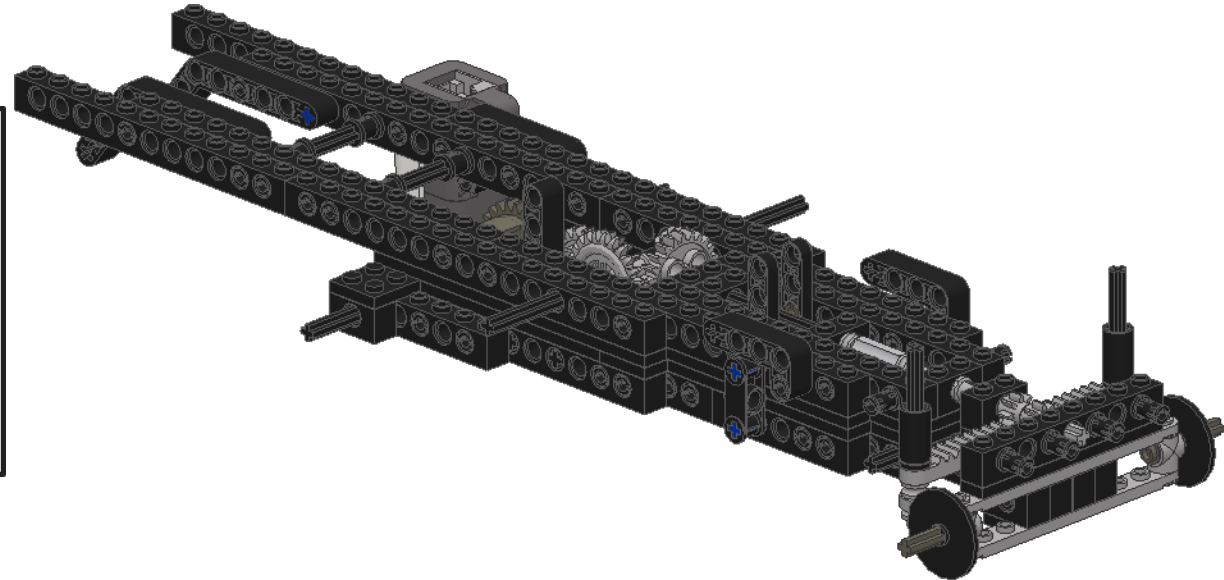
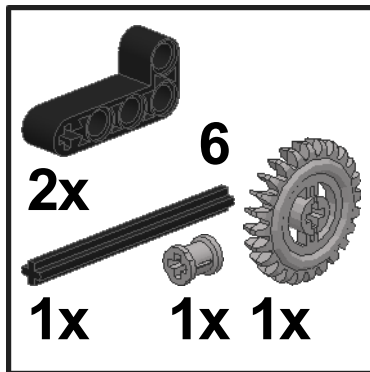
24



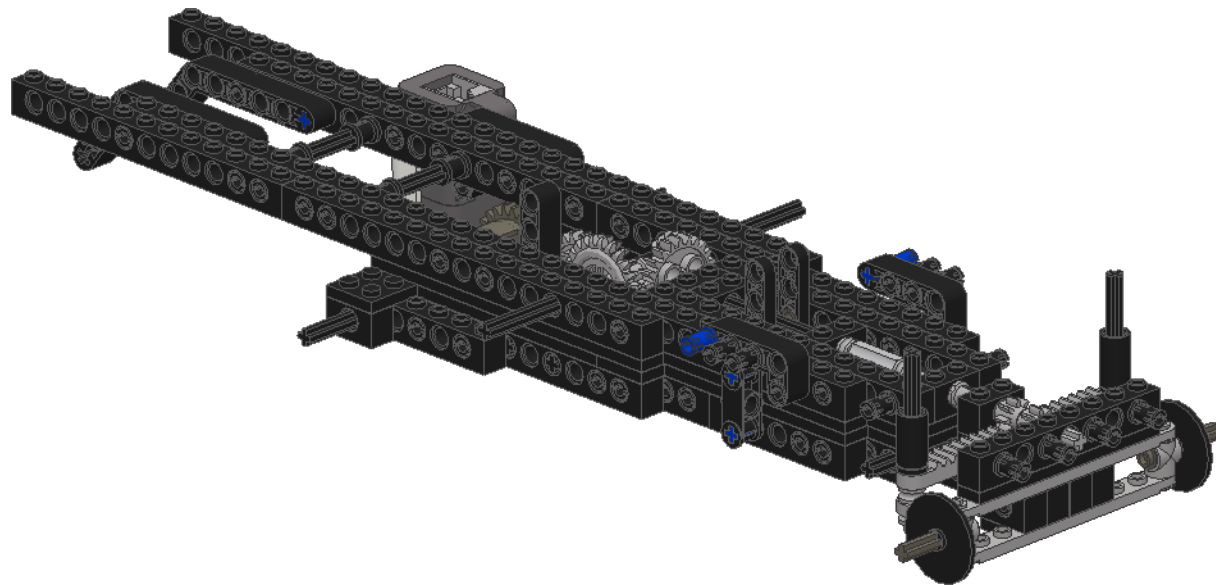
26



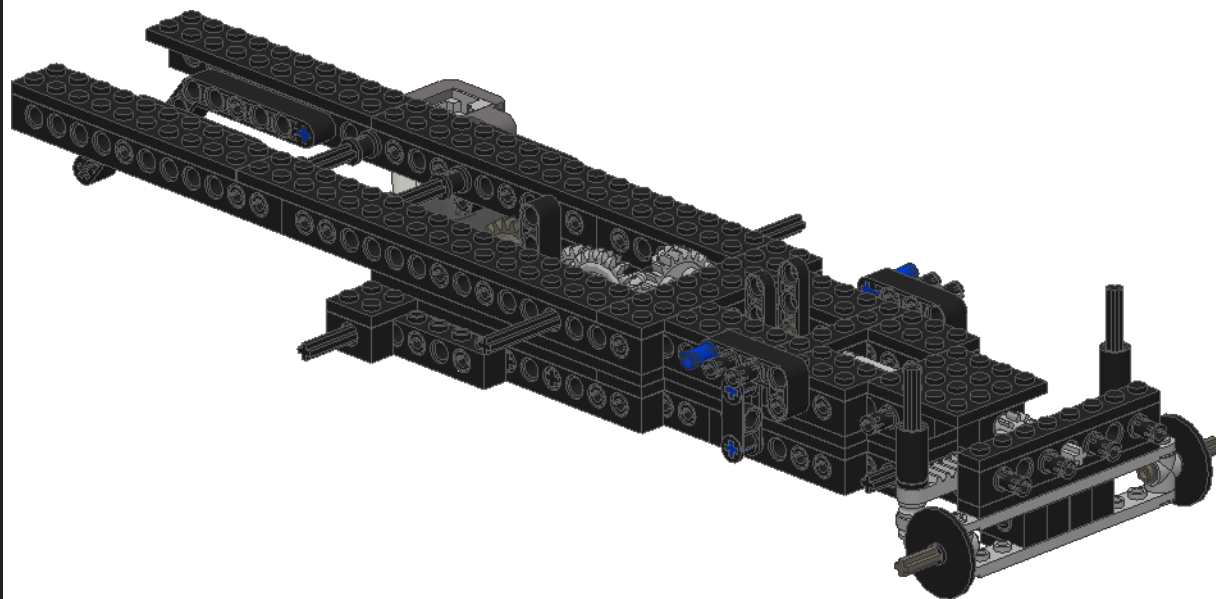
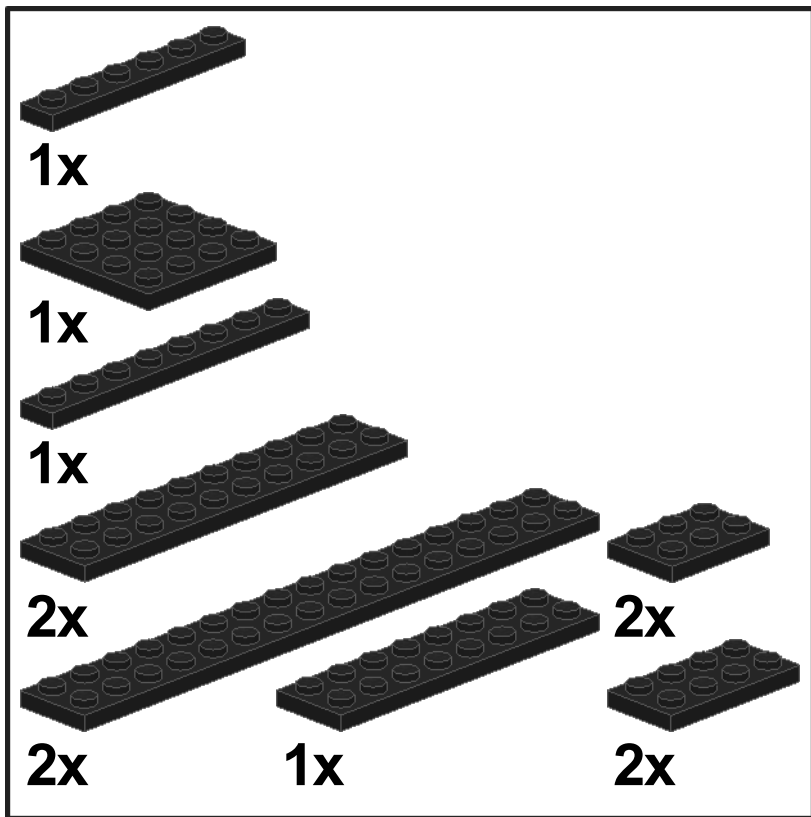
27



28

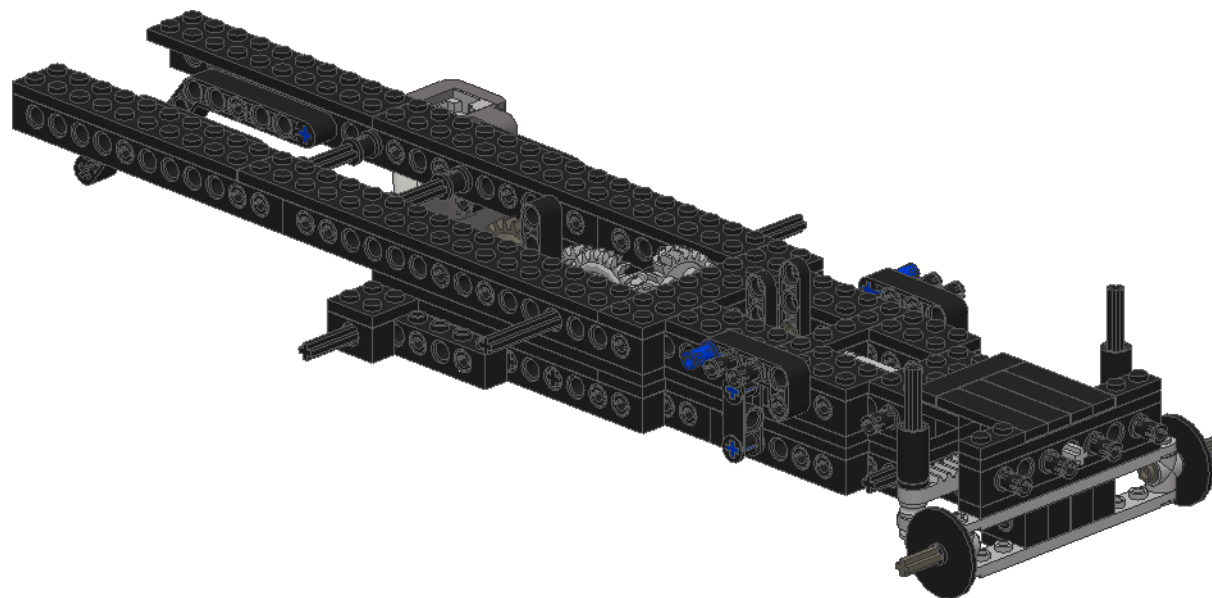
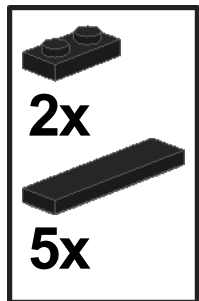


29

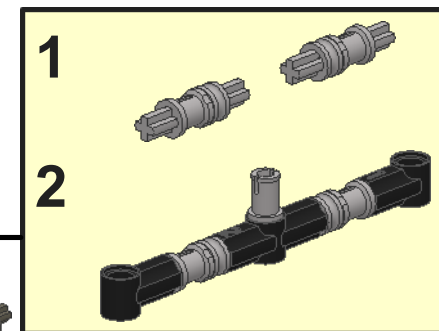
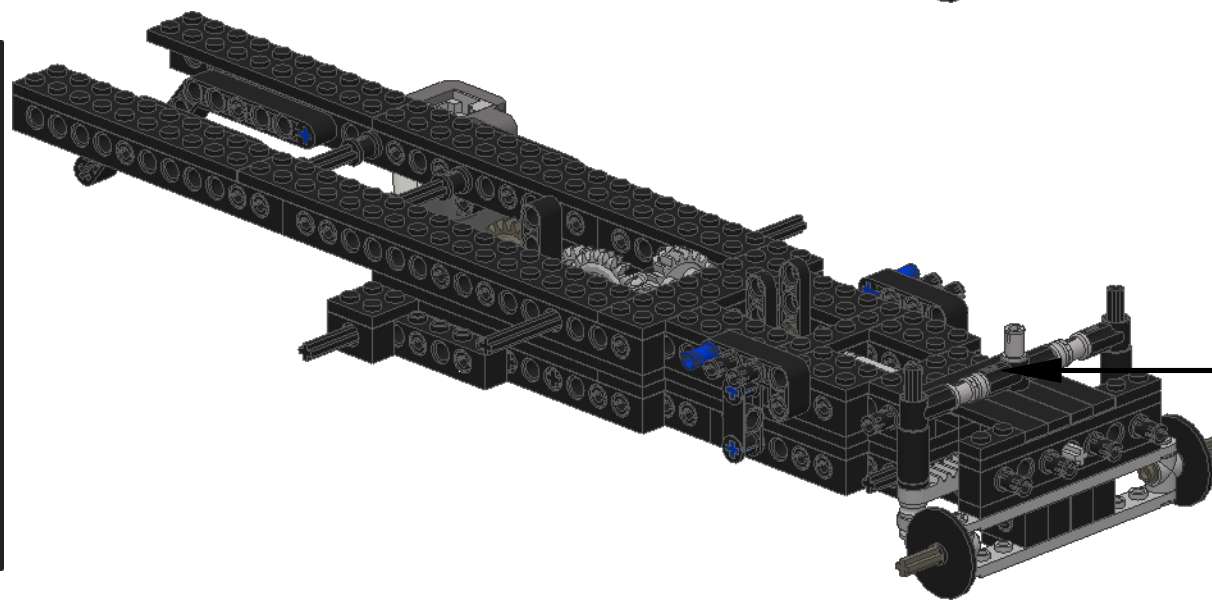
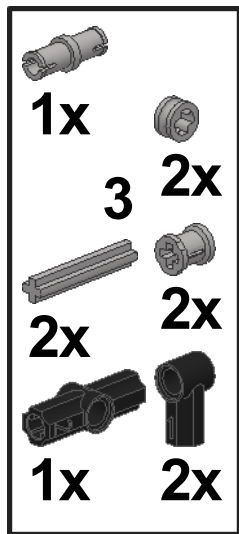


20

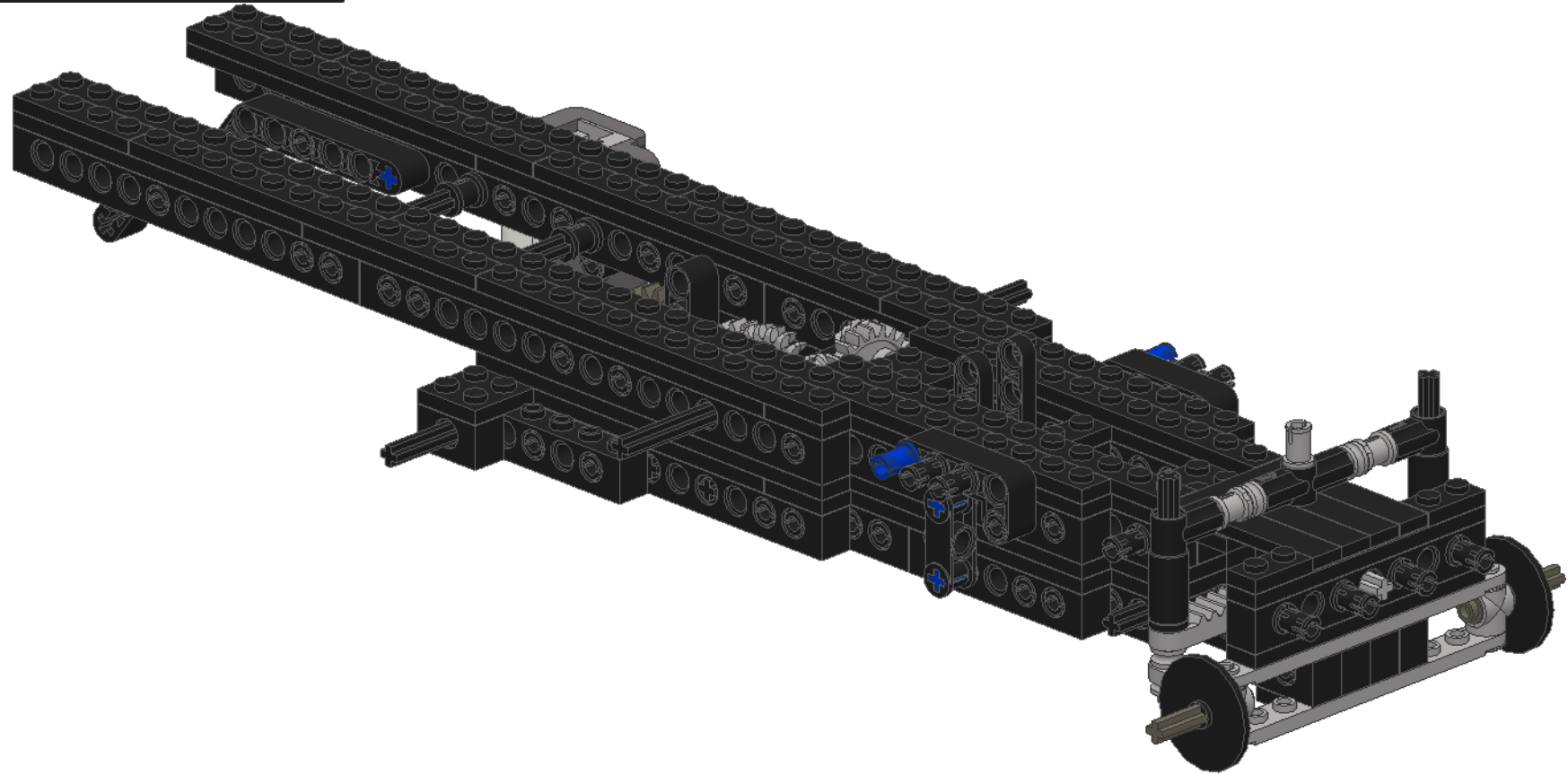
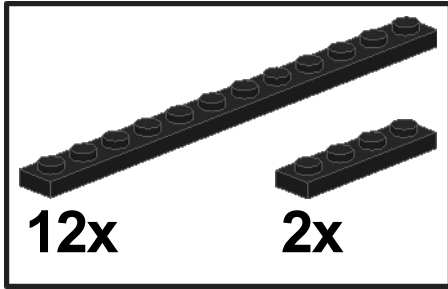
30



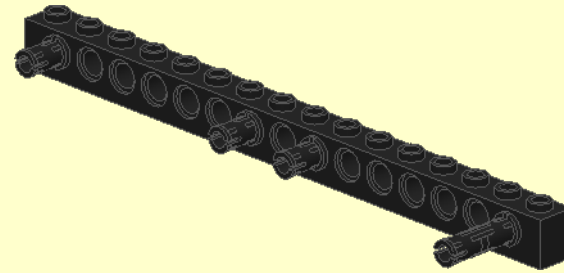
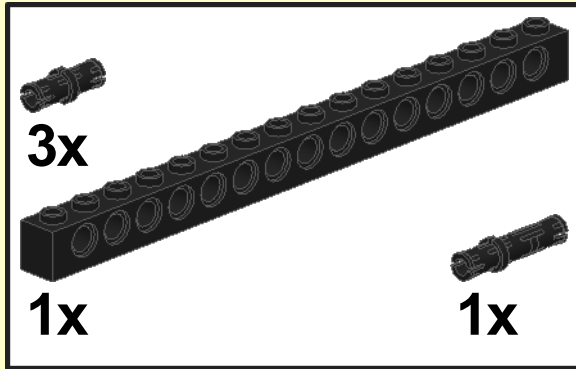
31



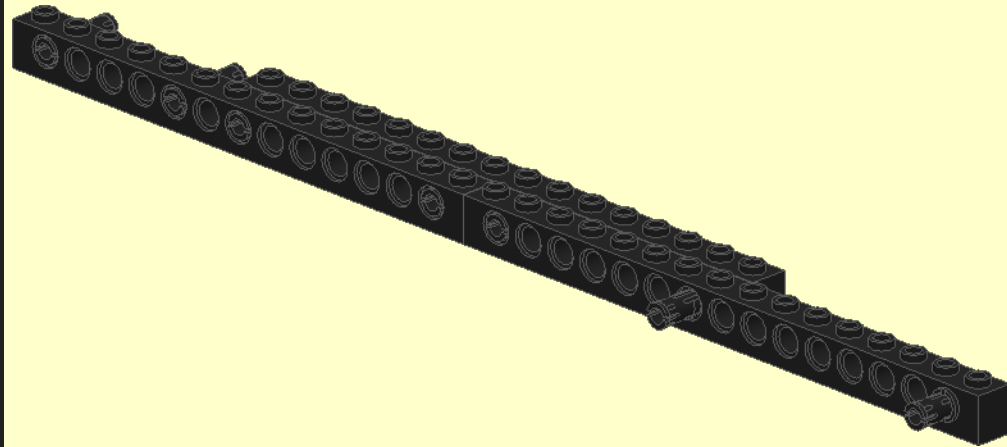
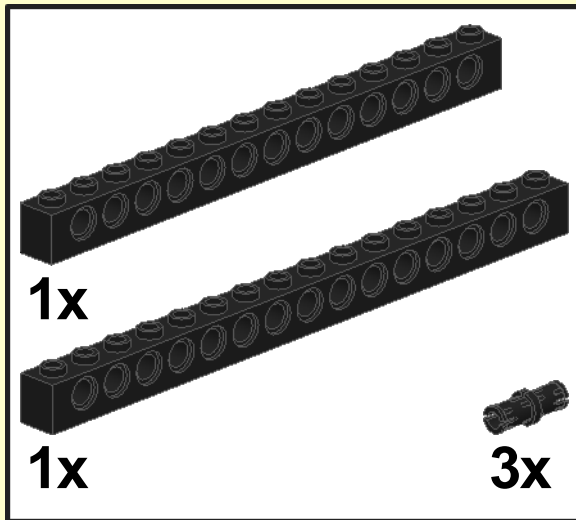
32



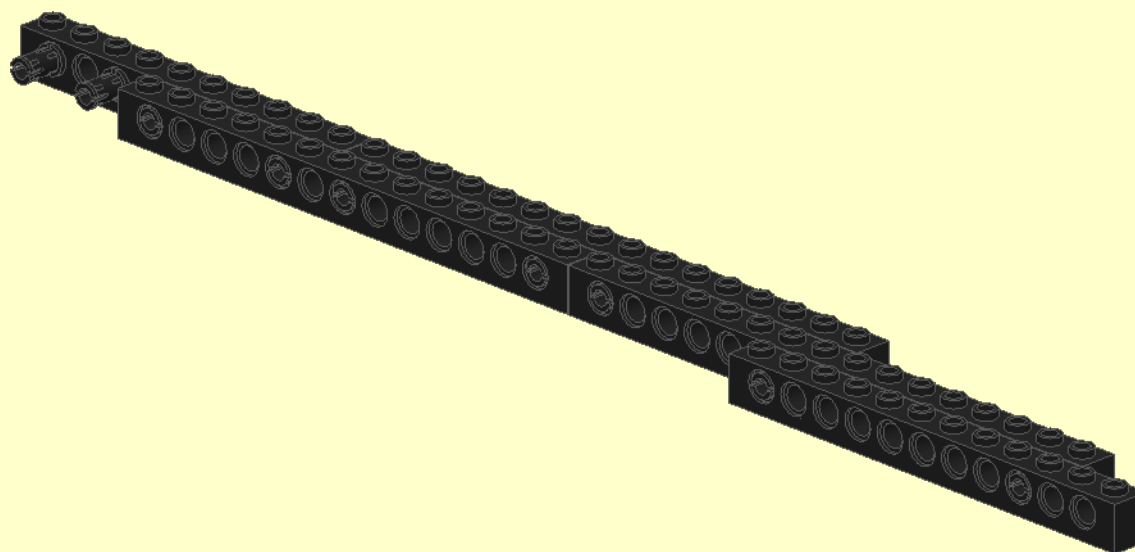
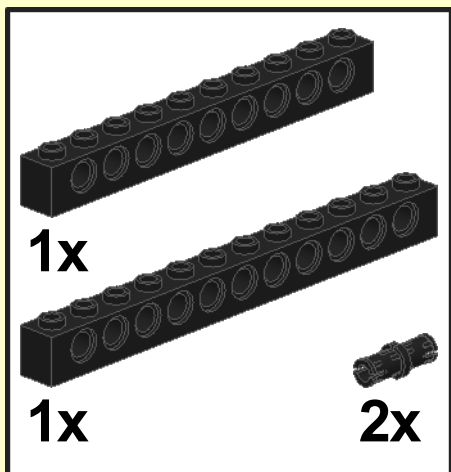
1



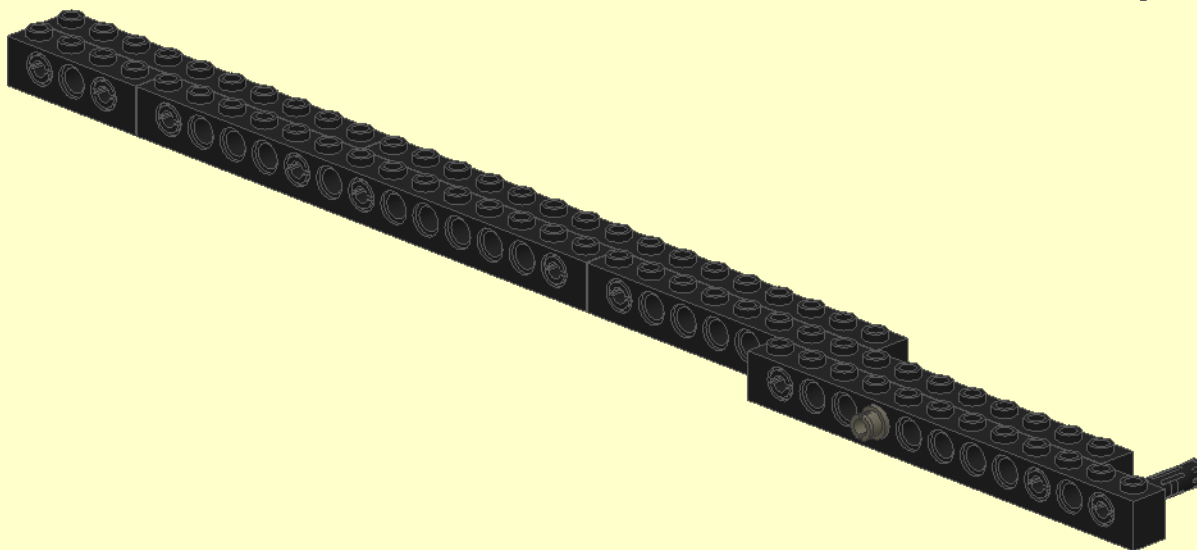
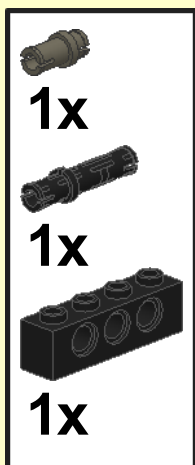
2

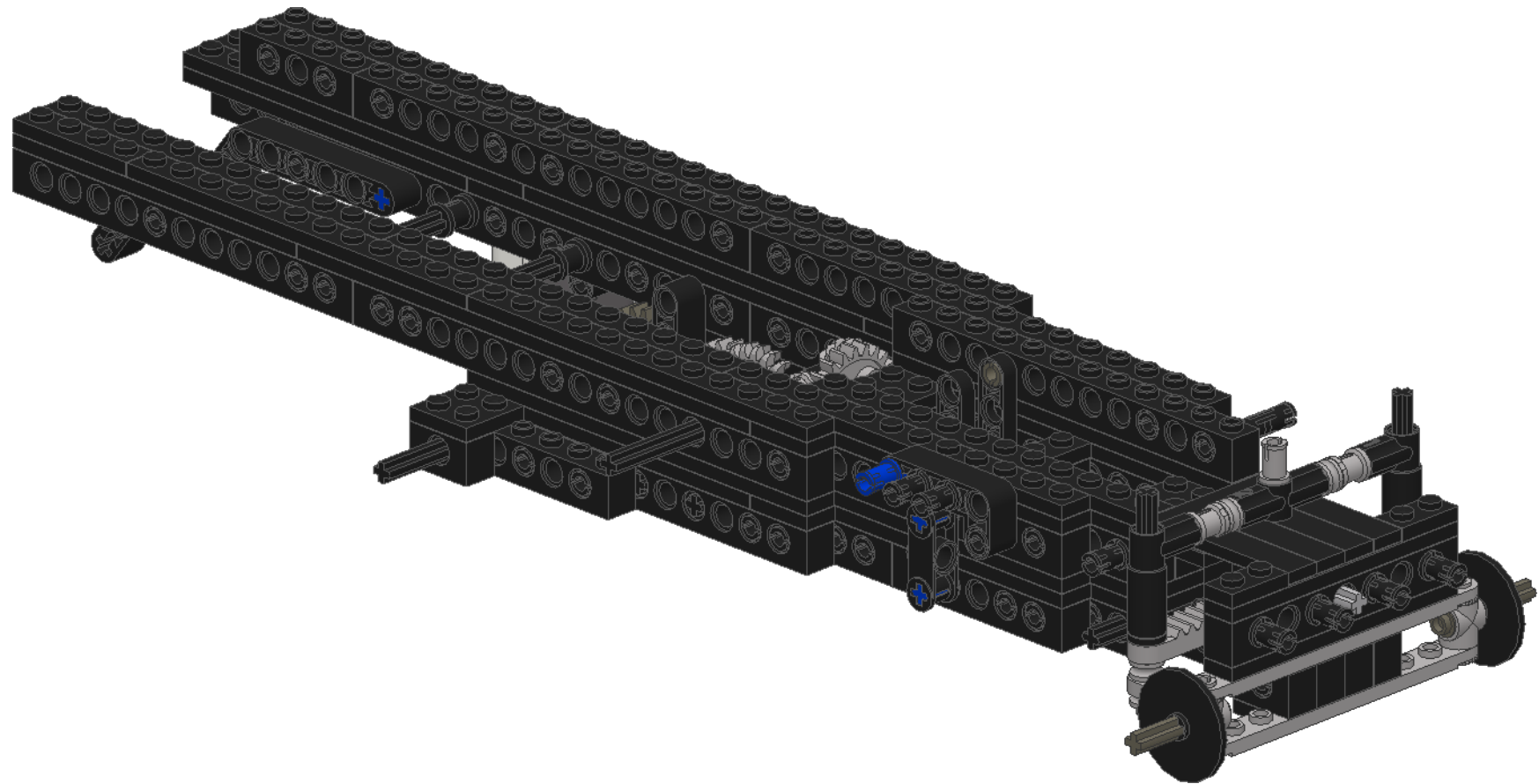


3

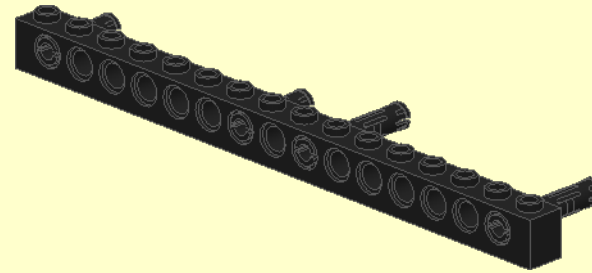
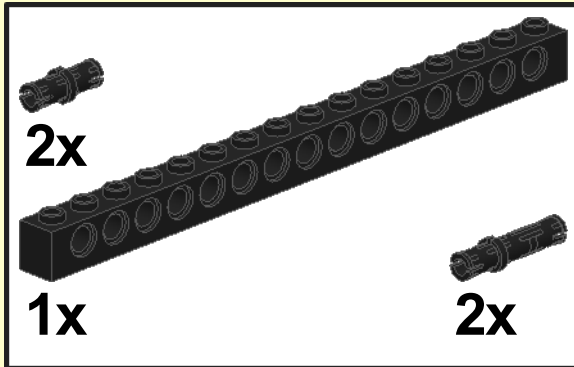


4

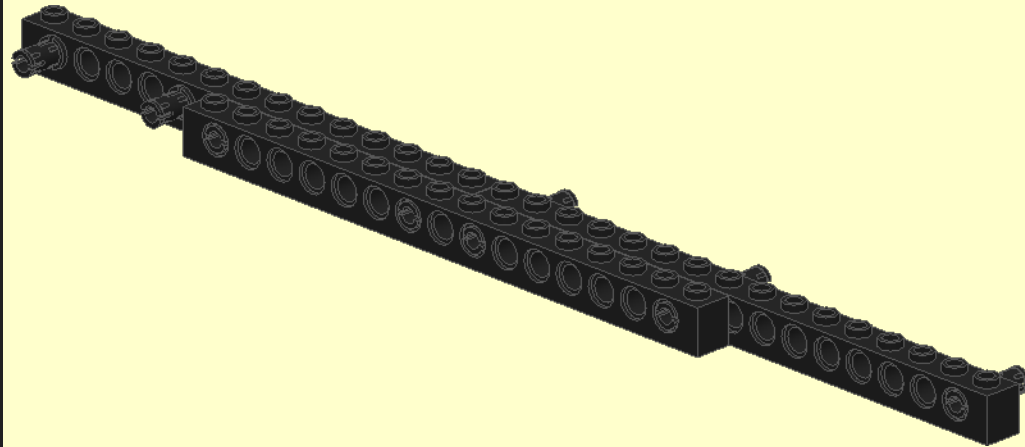
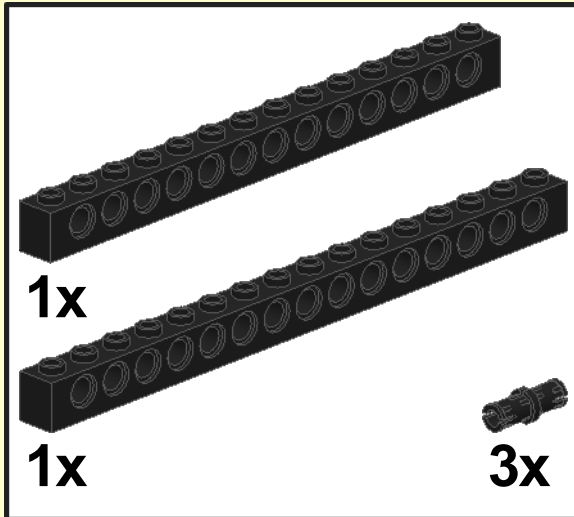




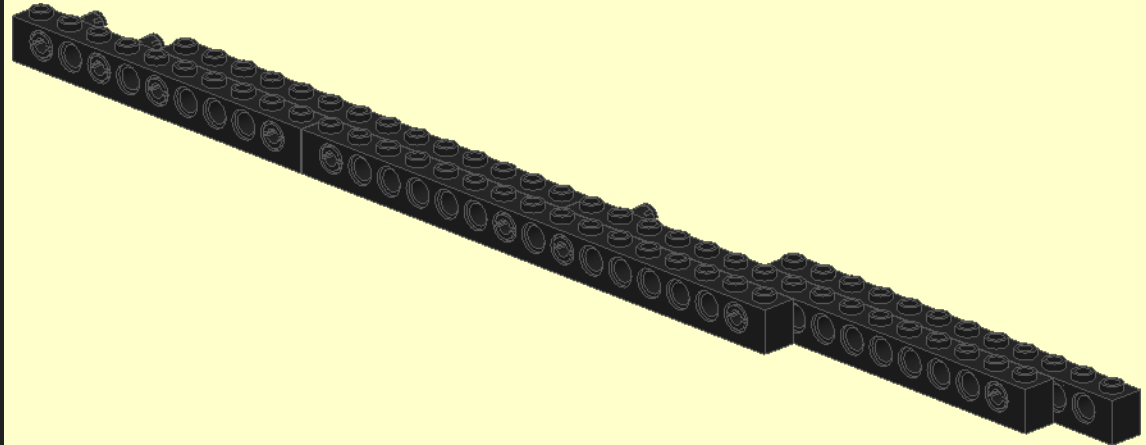
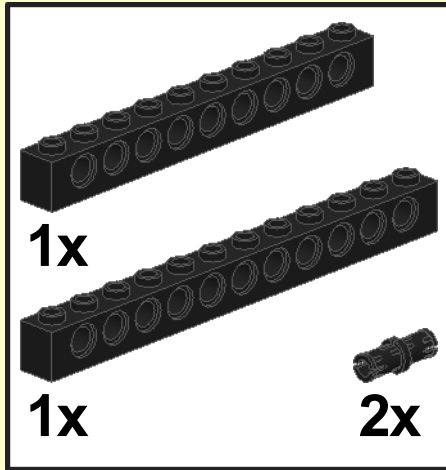
1



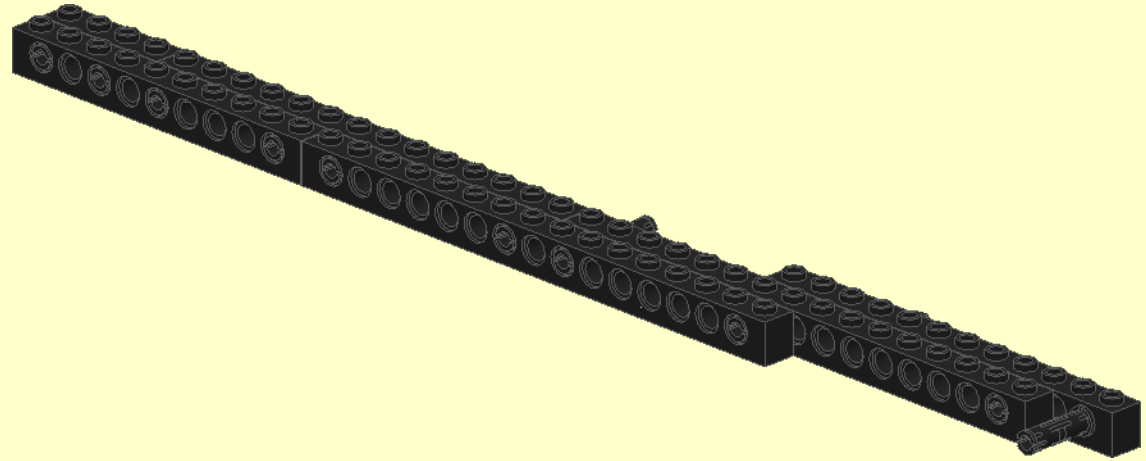
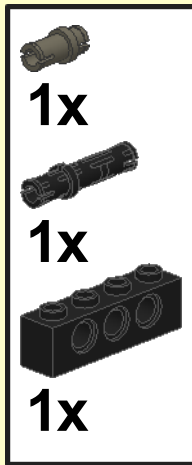
2

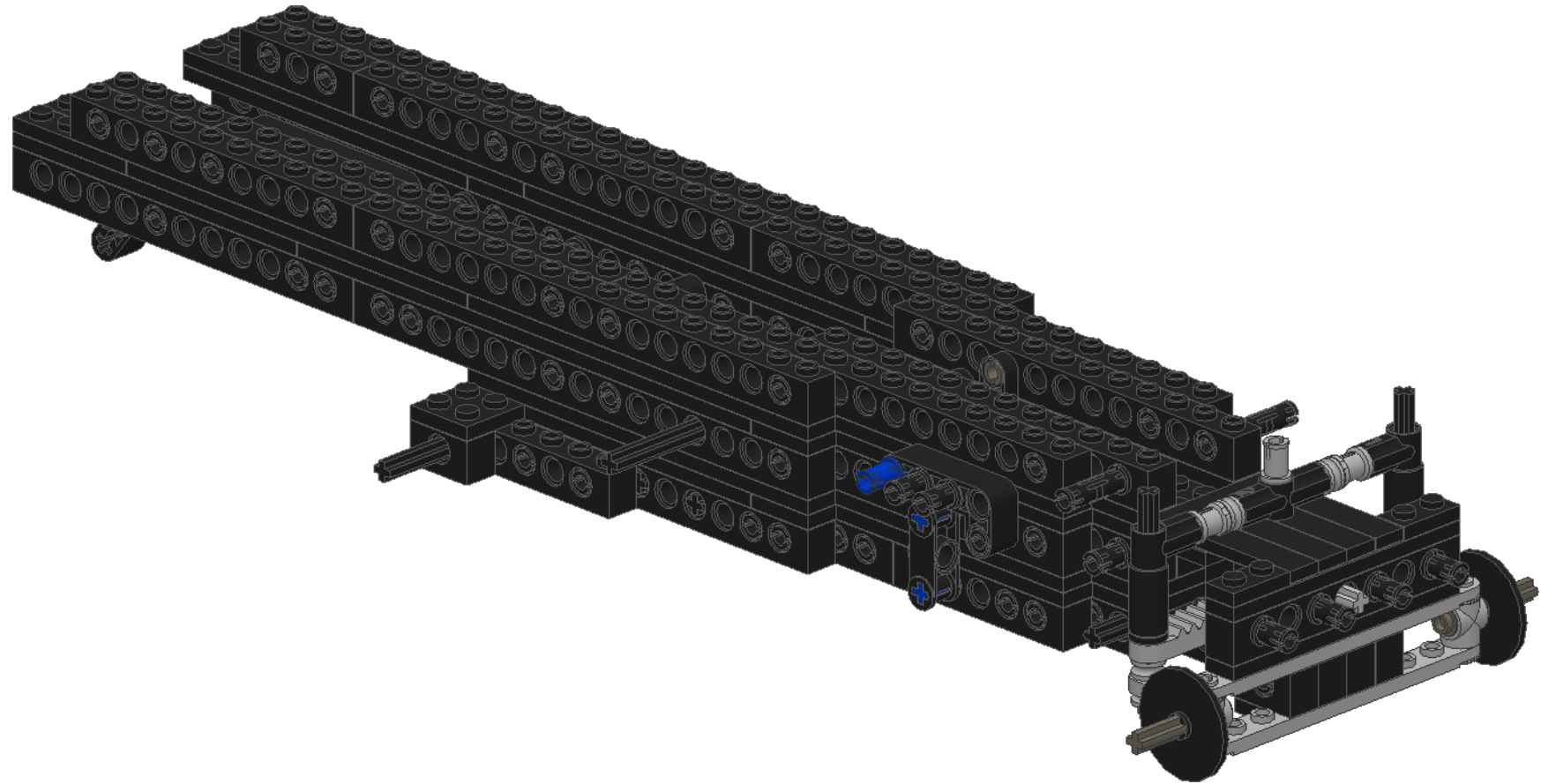


3

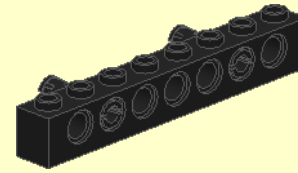
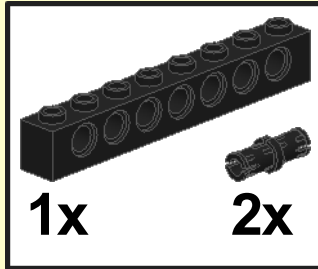


4

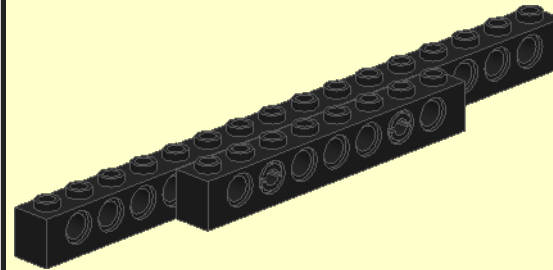
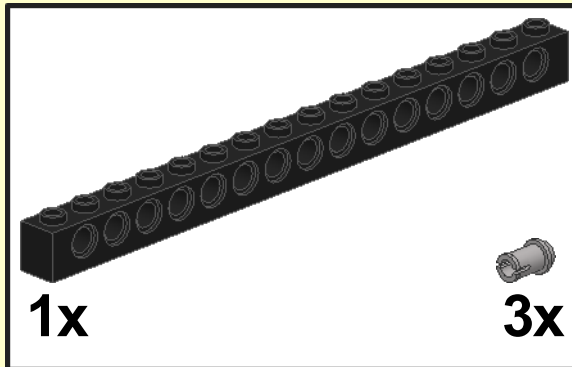




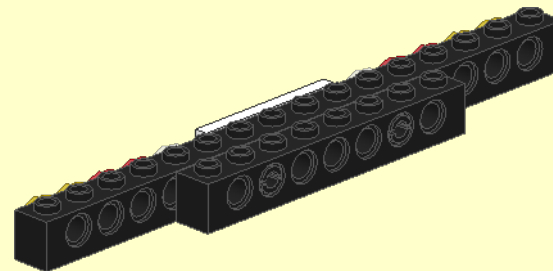
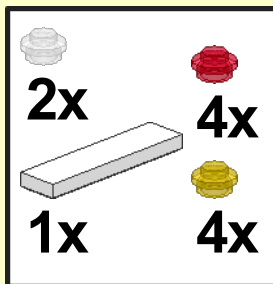
1

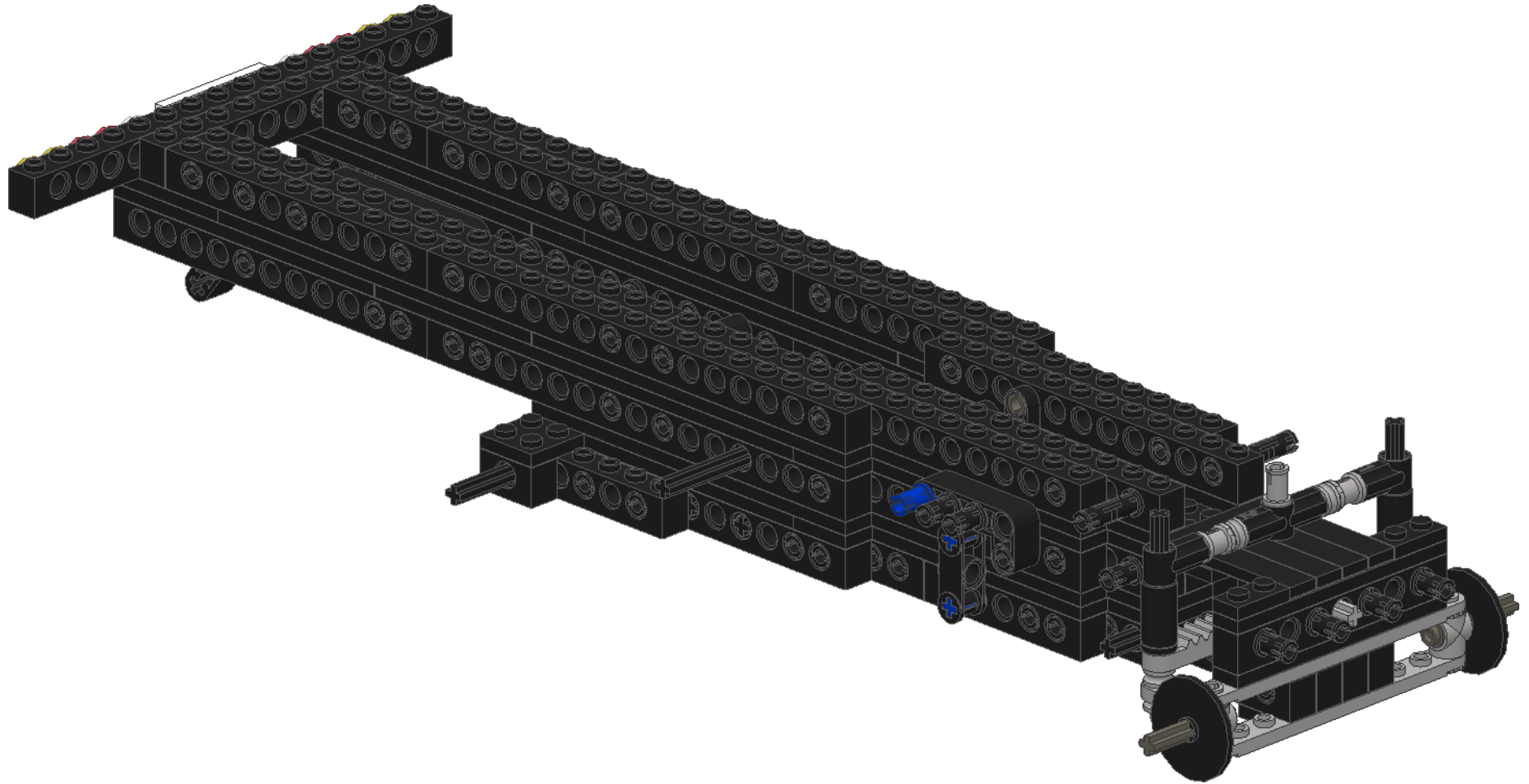


2

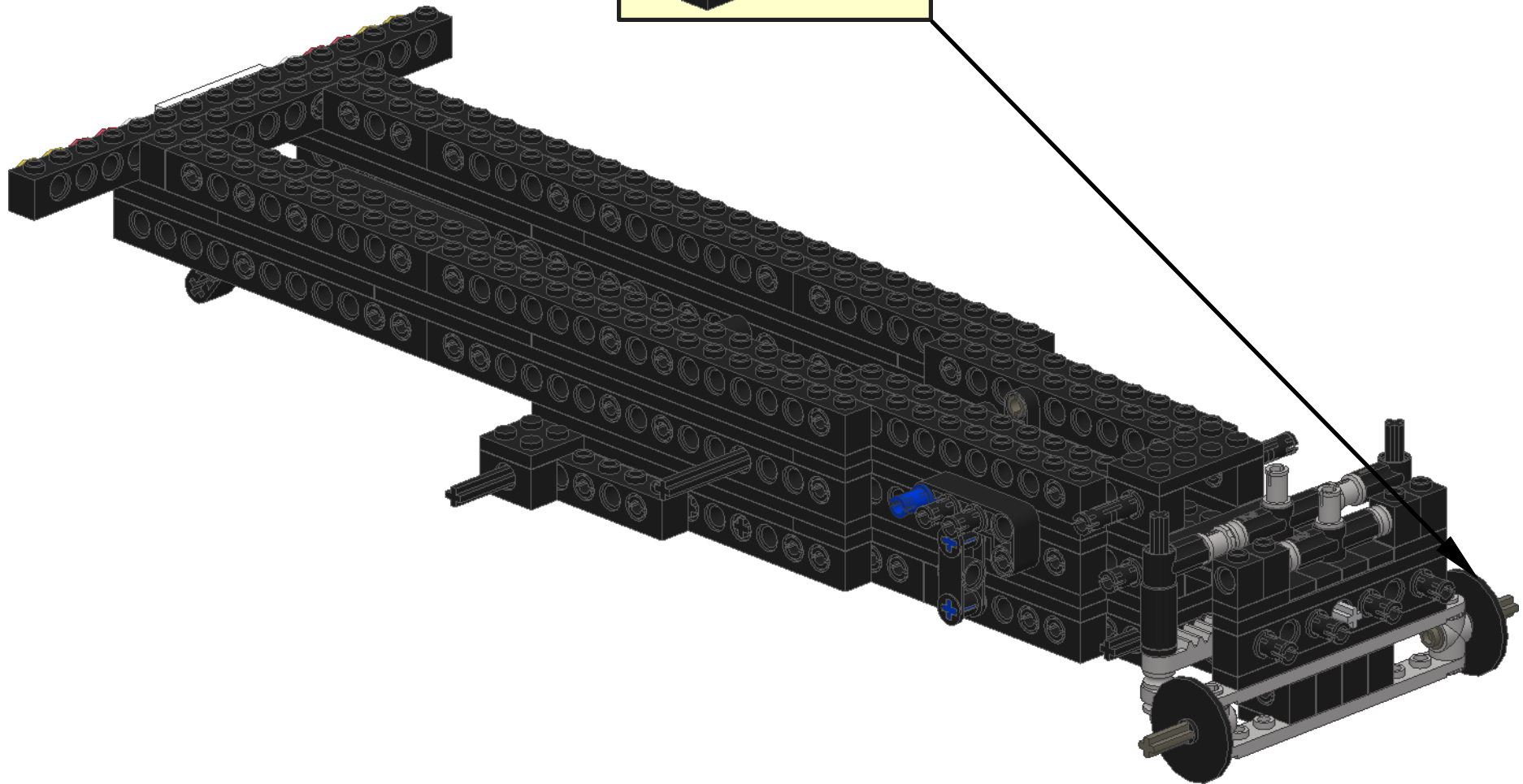
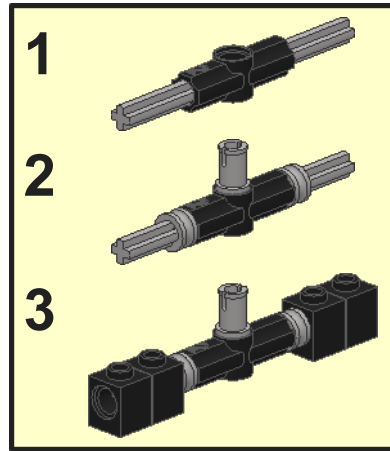
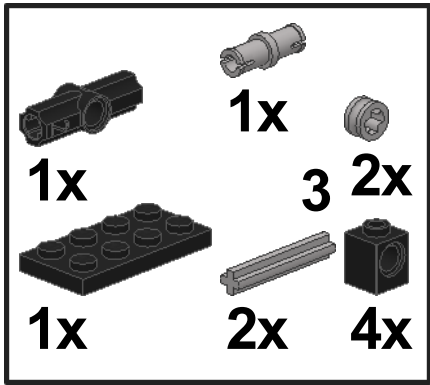


3

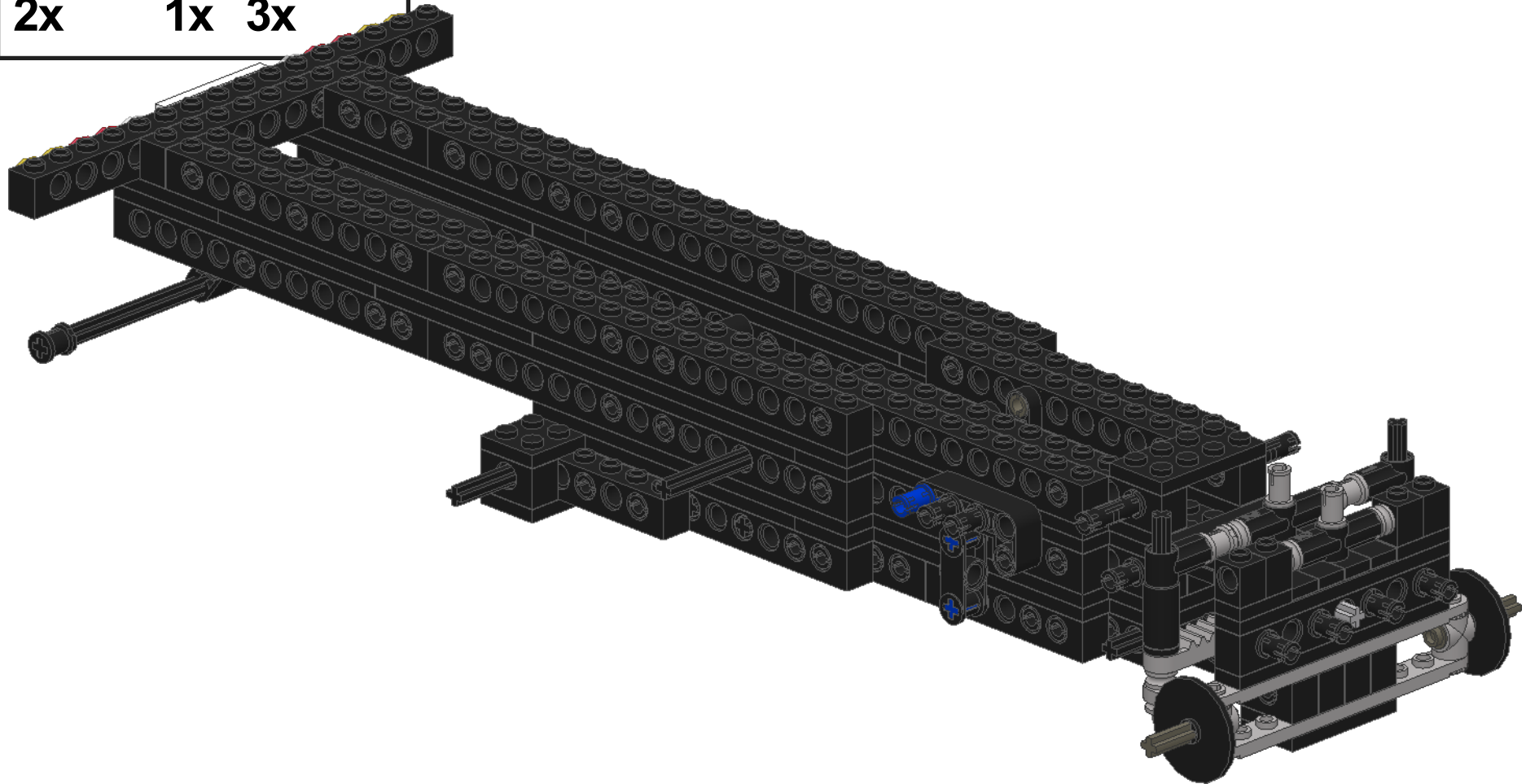
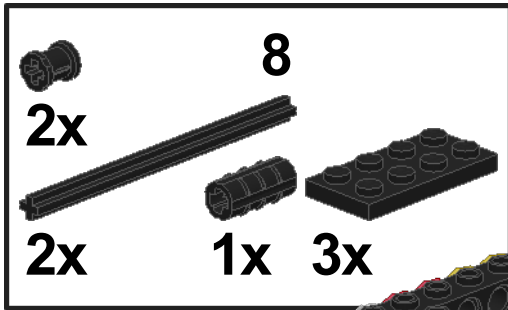




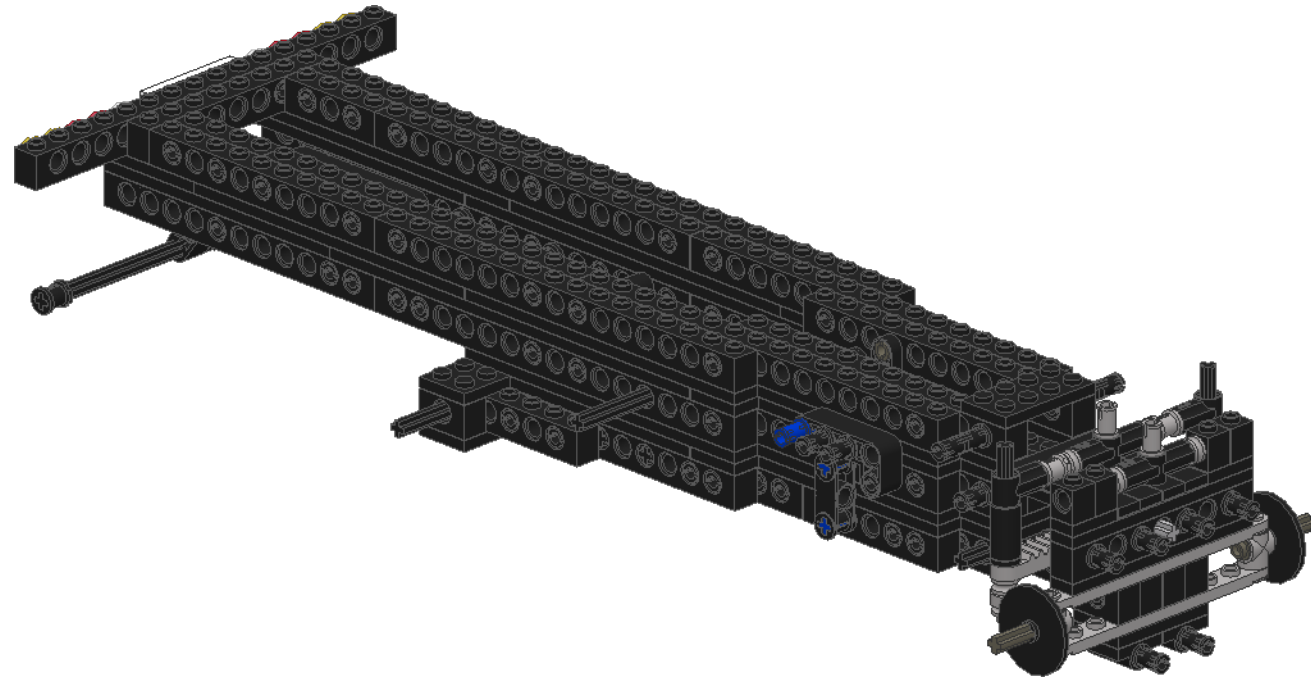
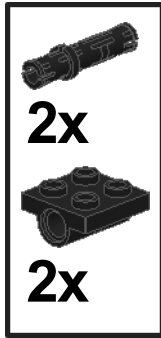
36



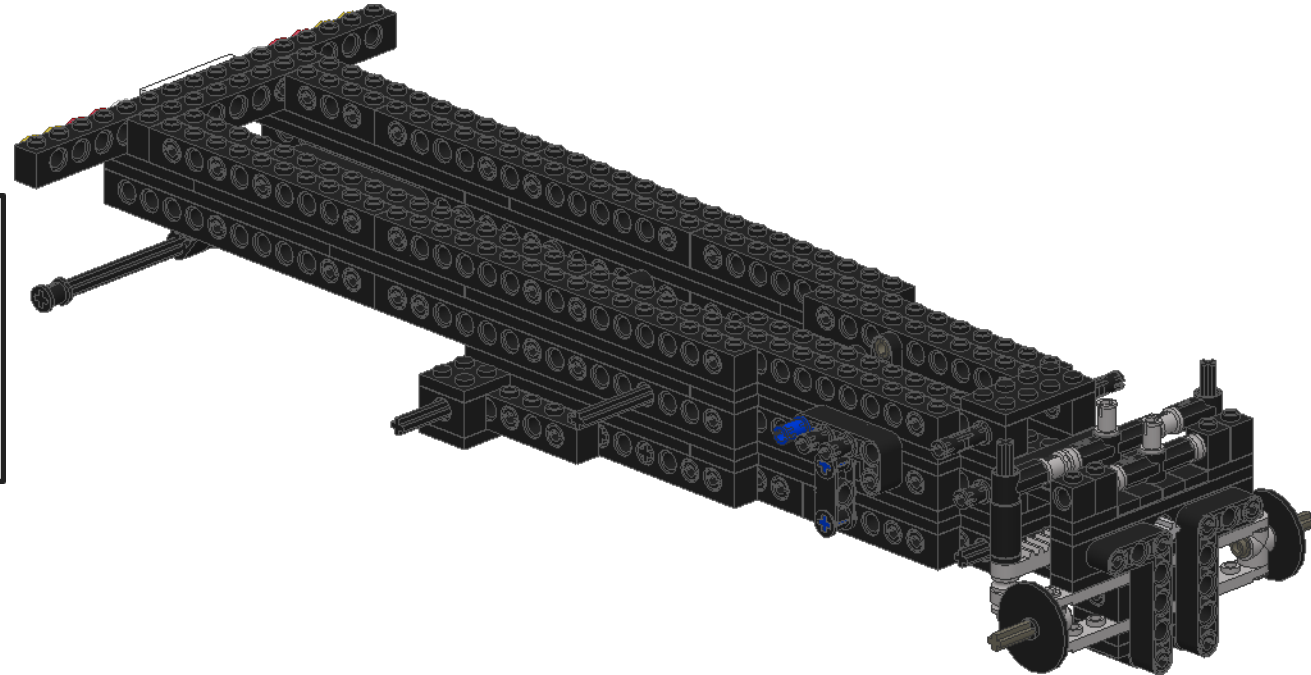
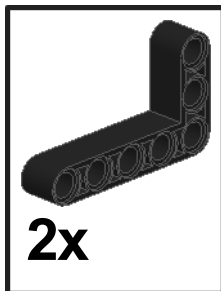
37



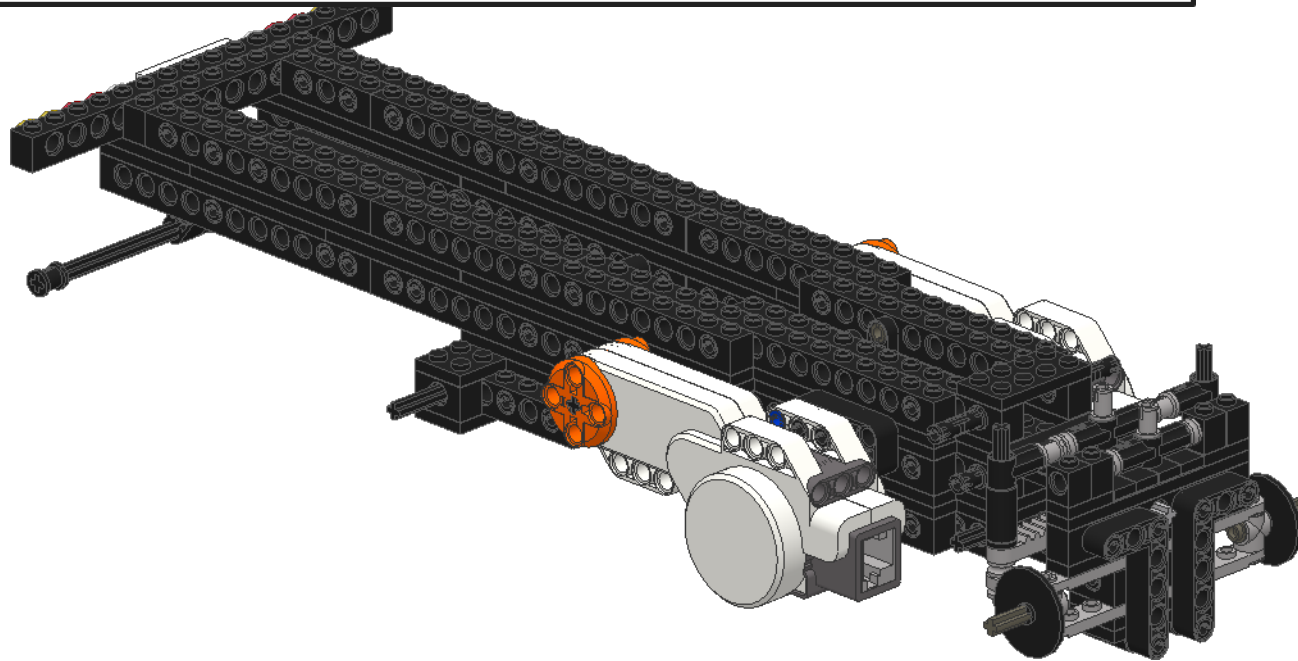
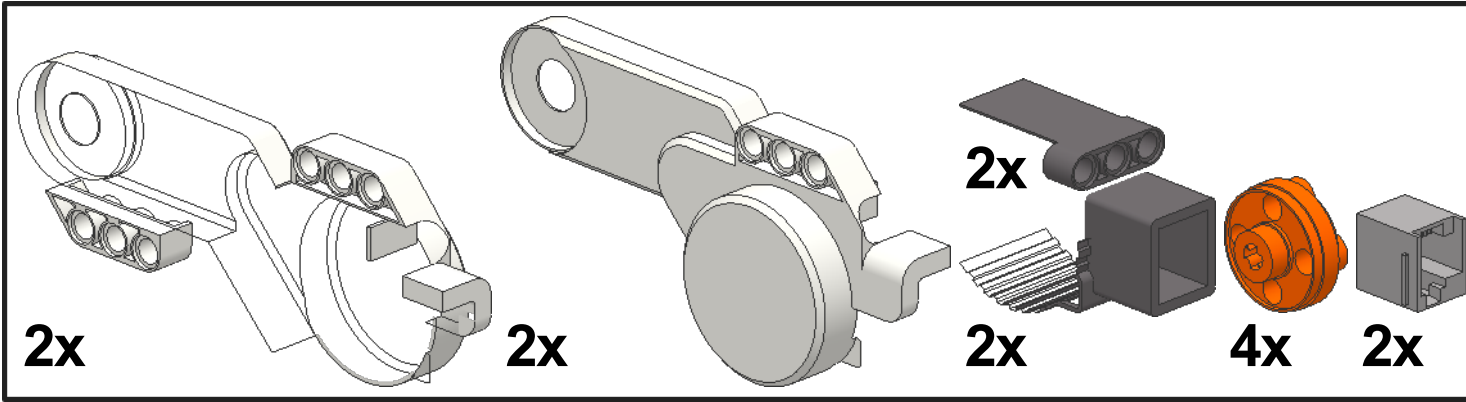
38



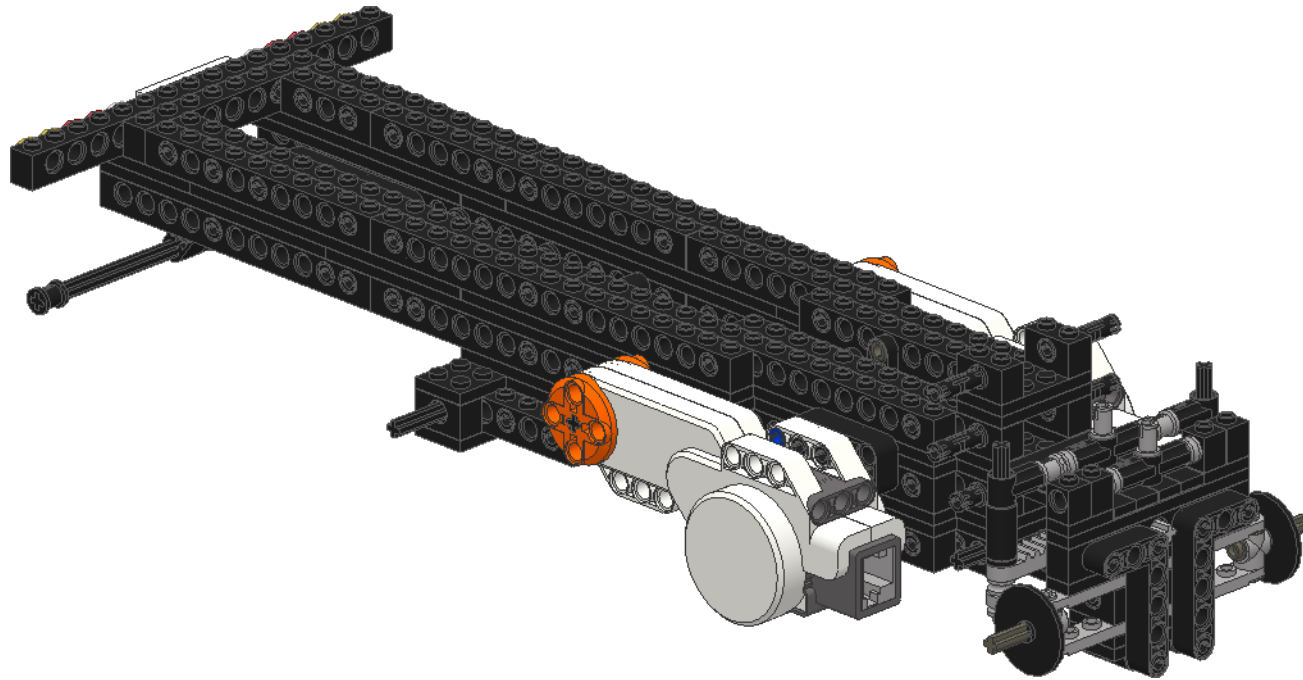
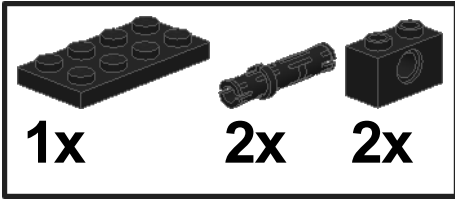
39



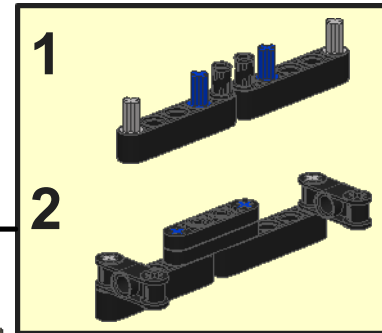
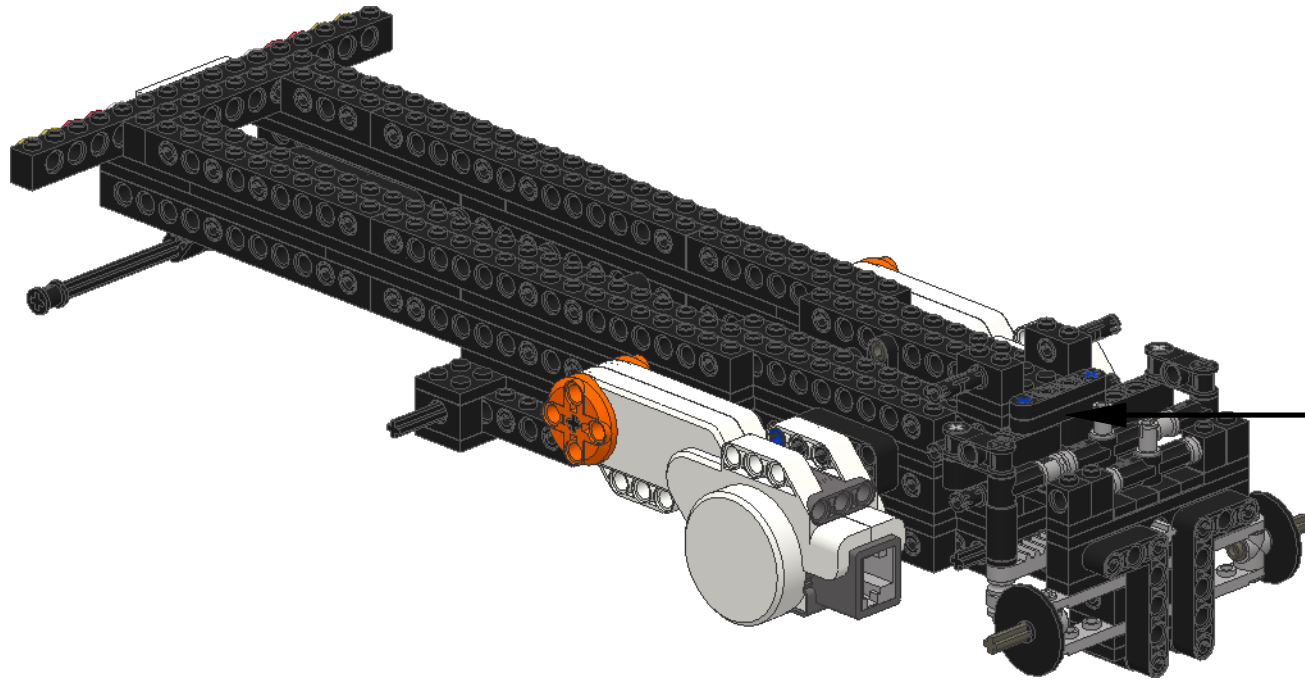
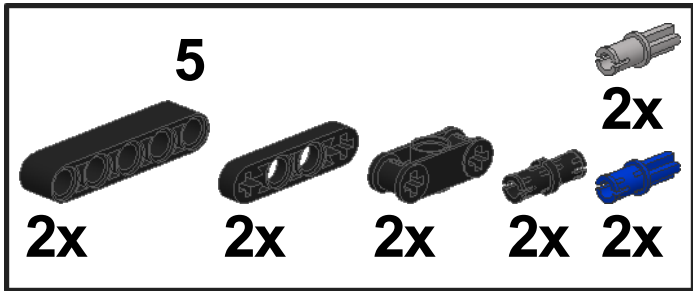
40



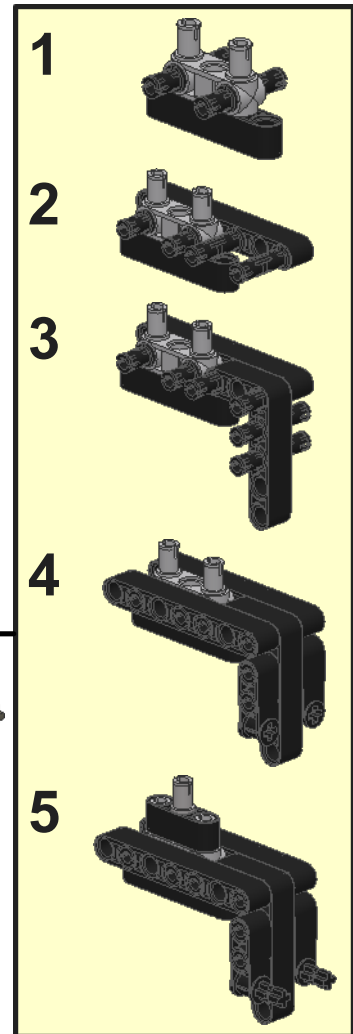
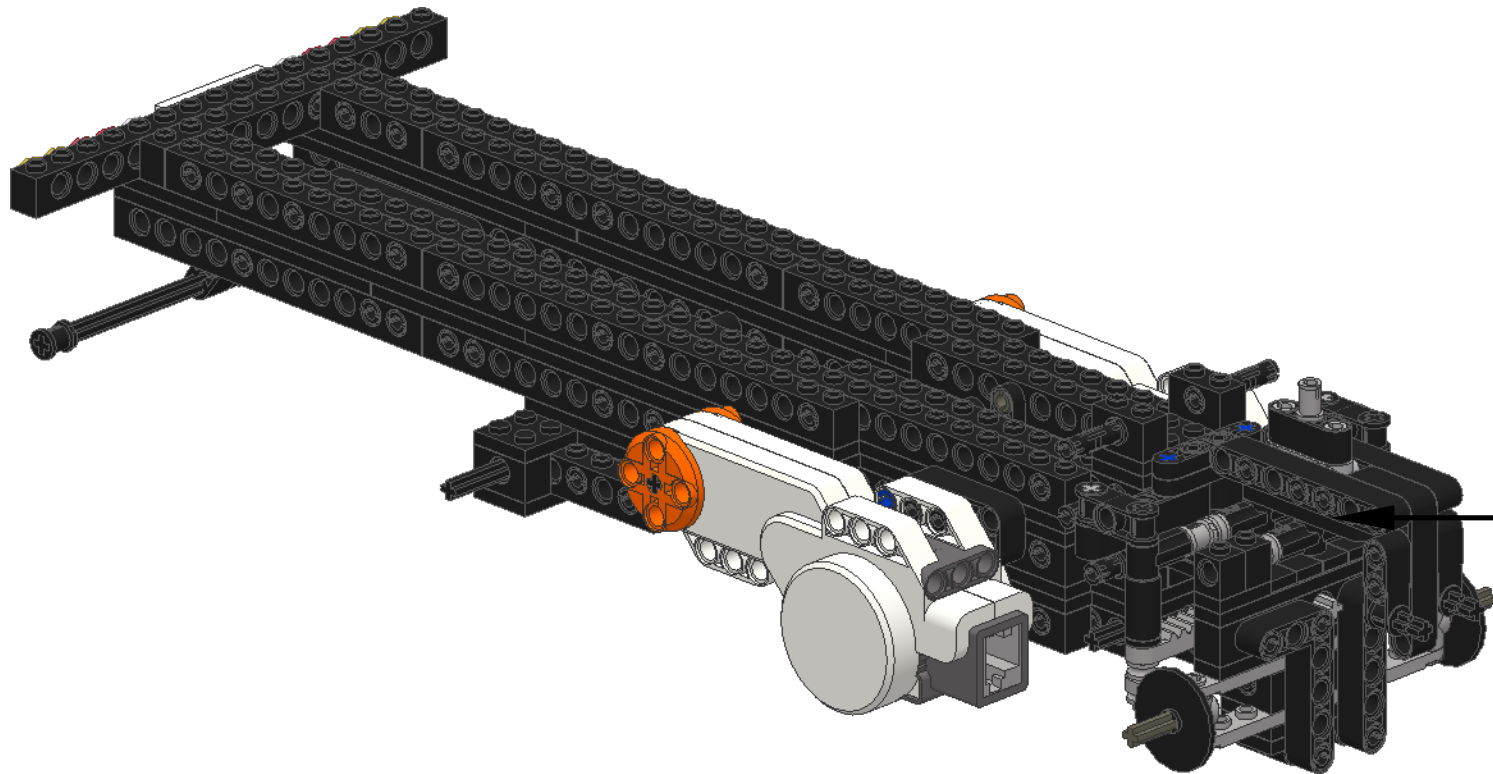
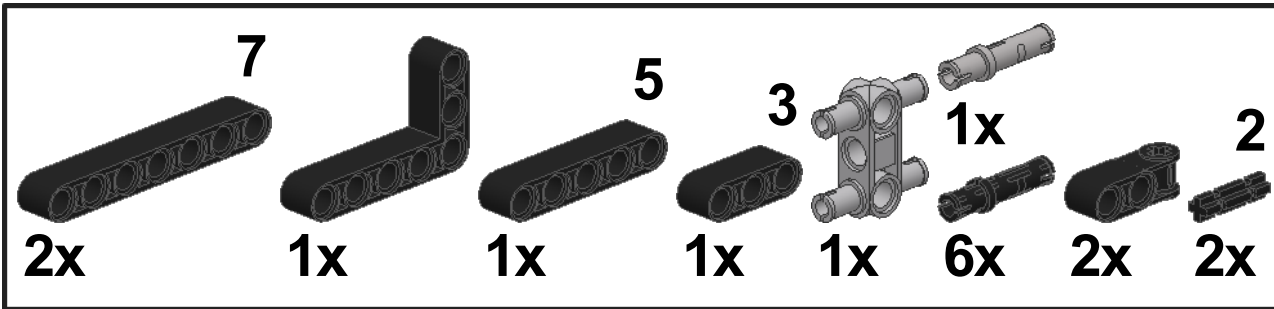
41



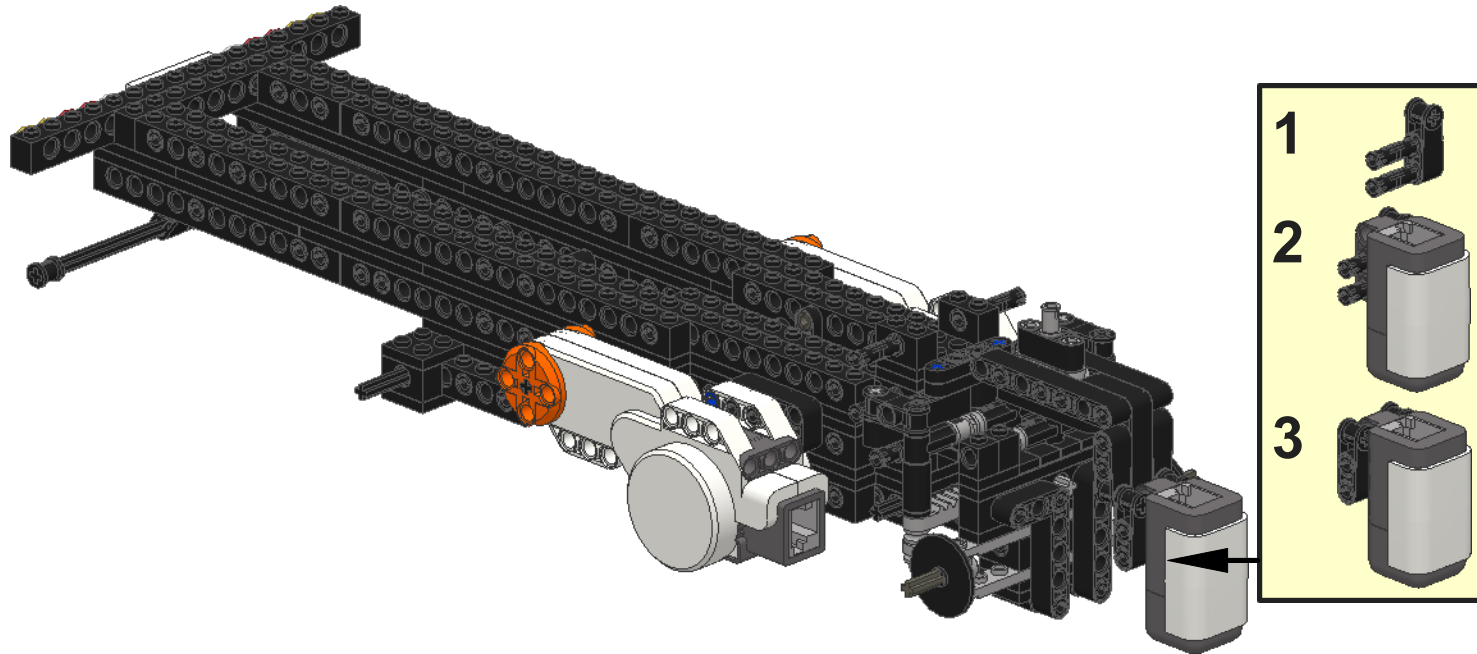
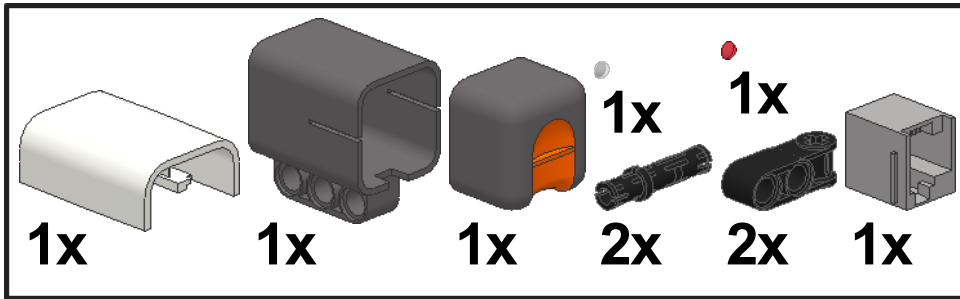
42



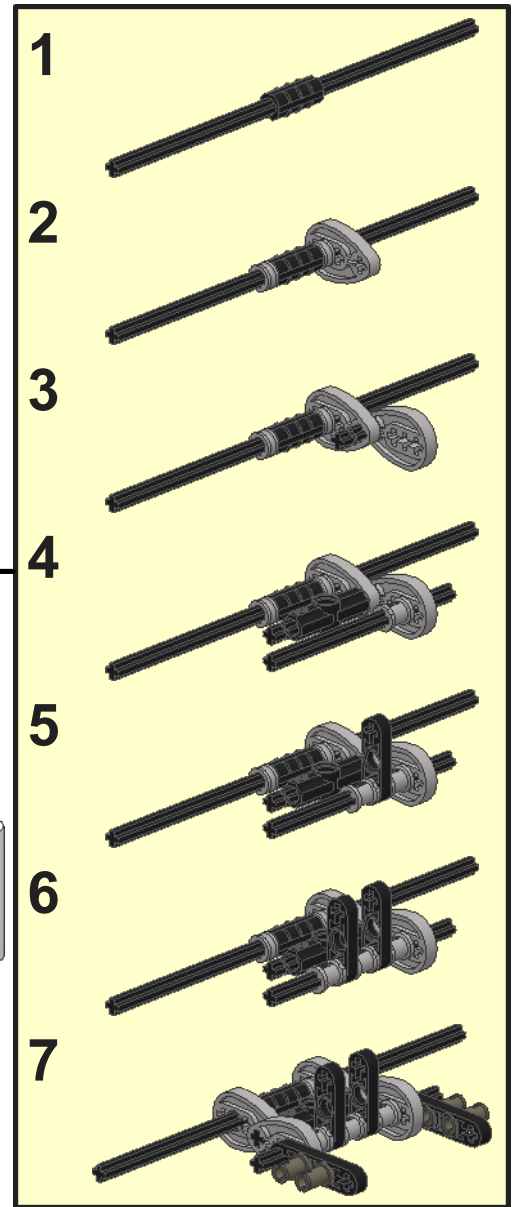
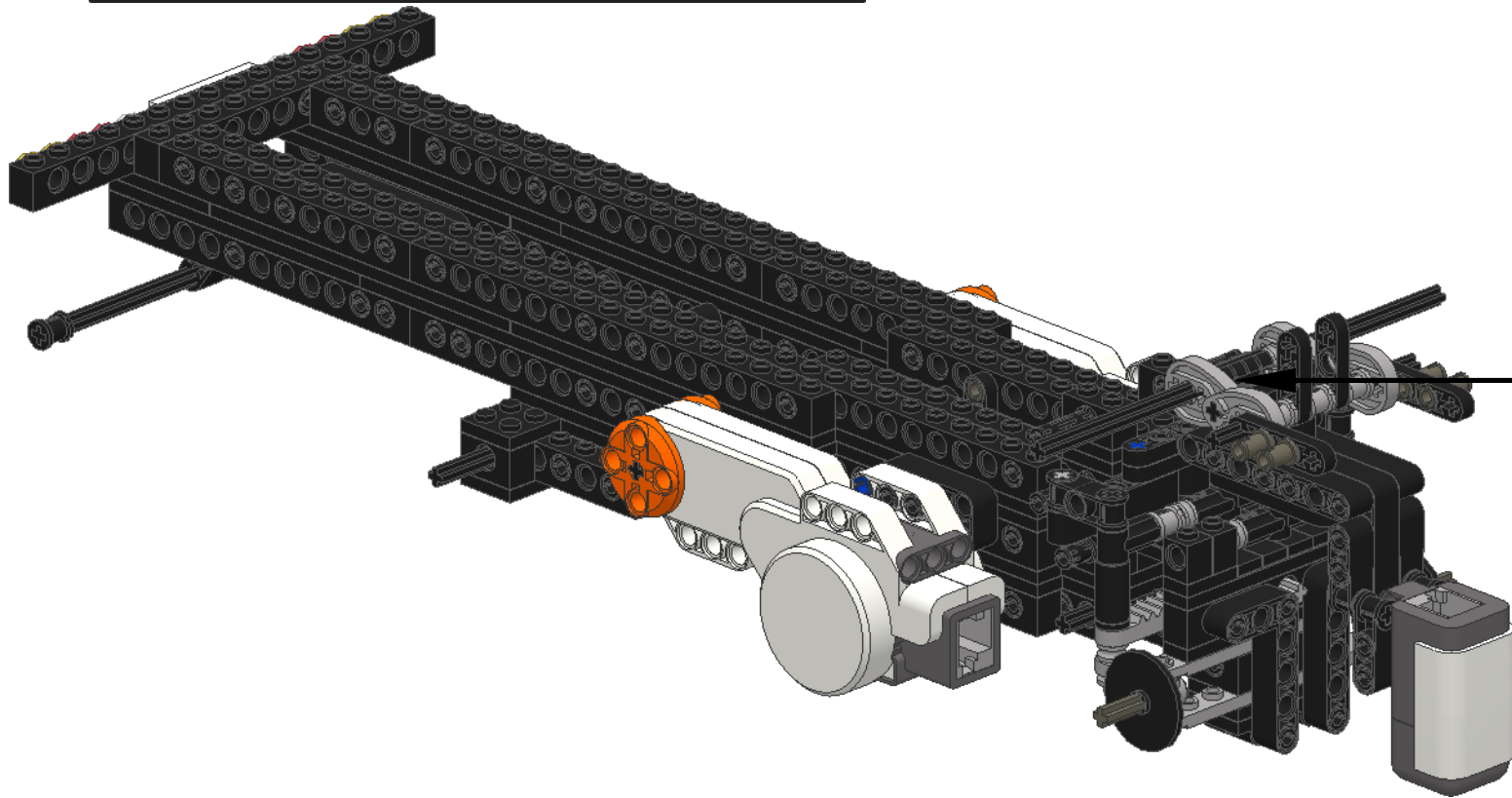
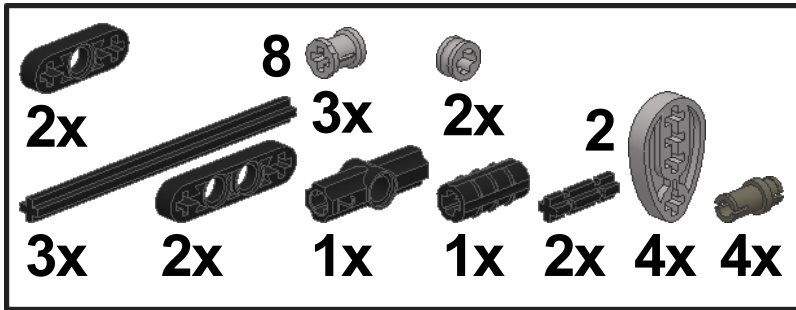
43



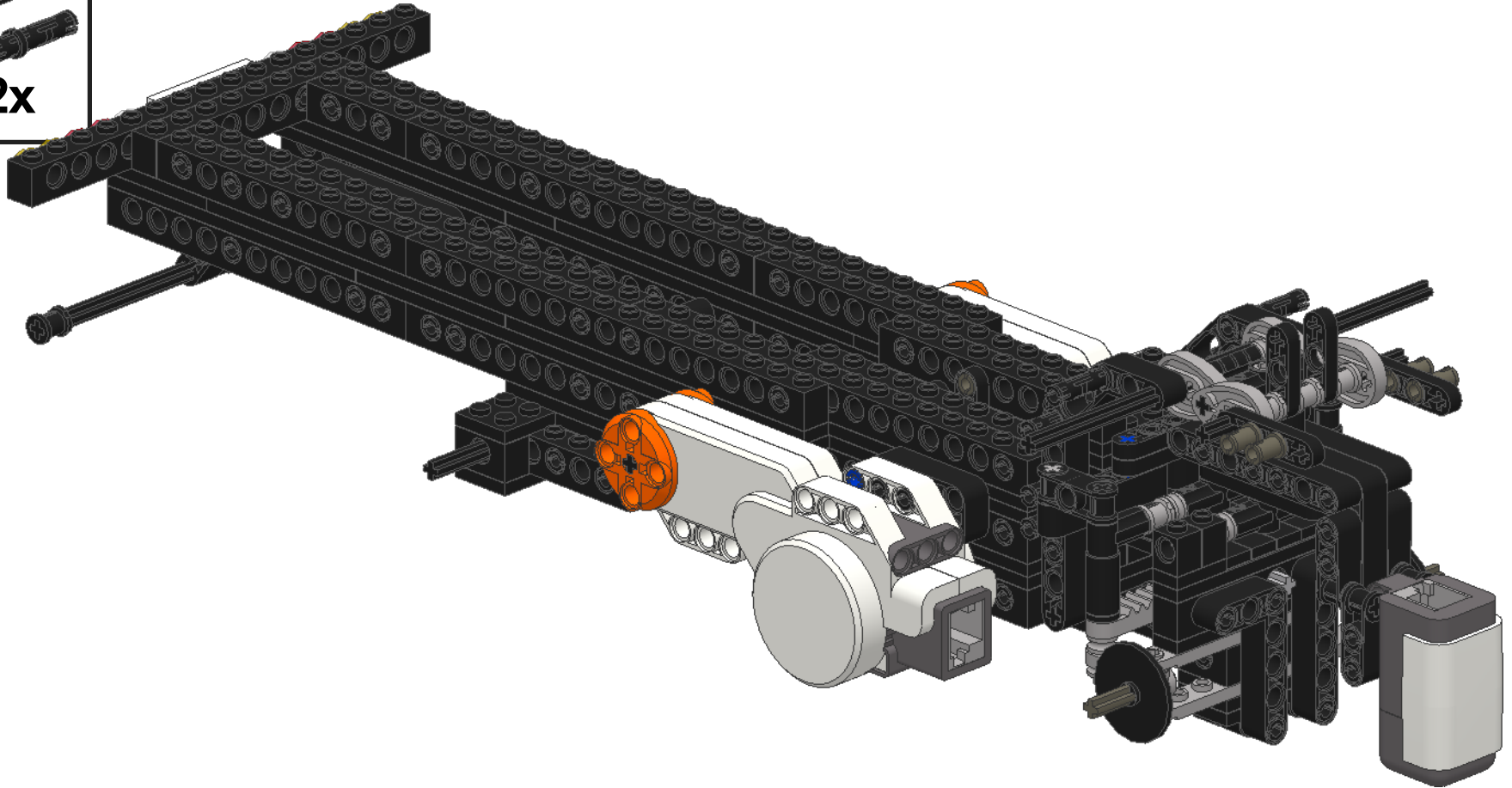
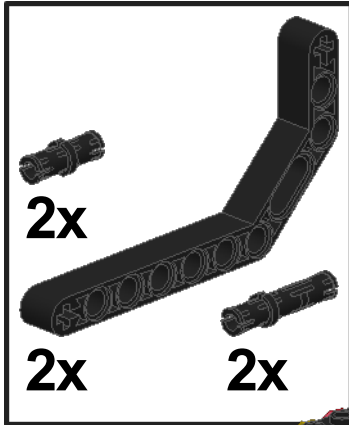
44



45



46



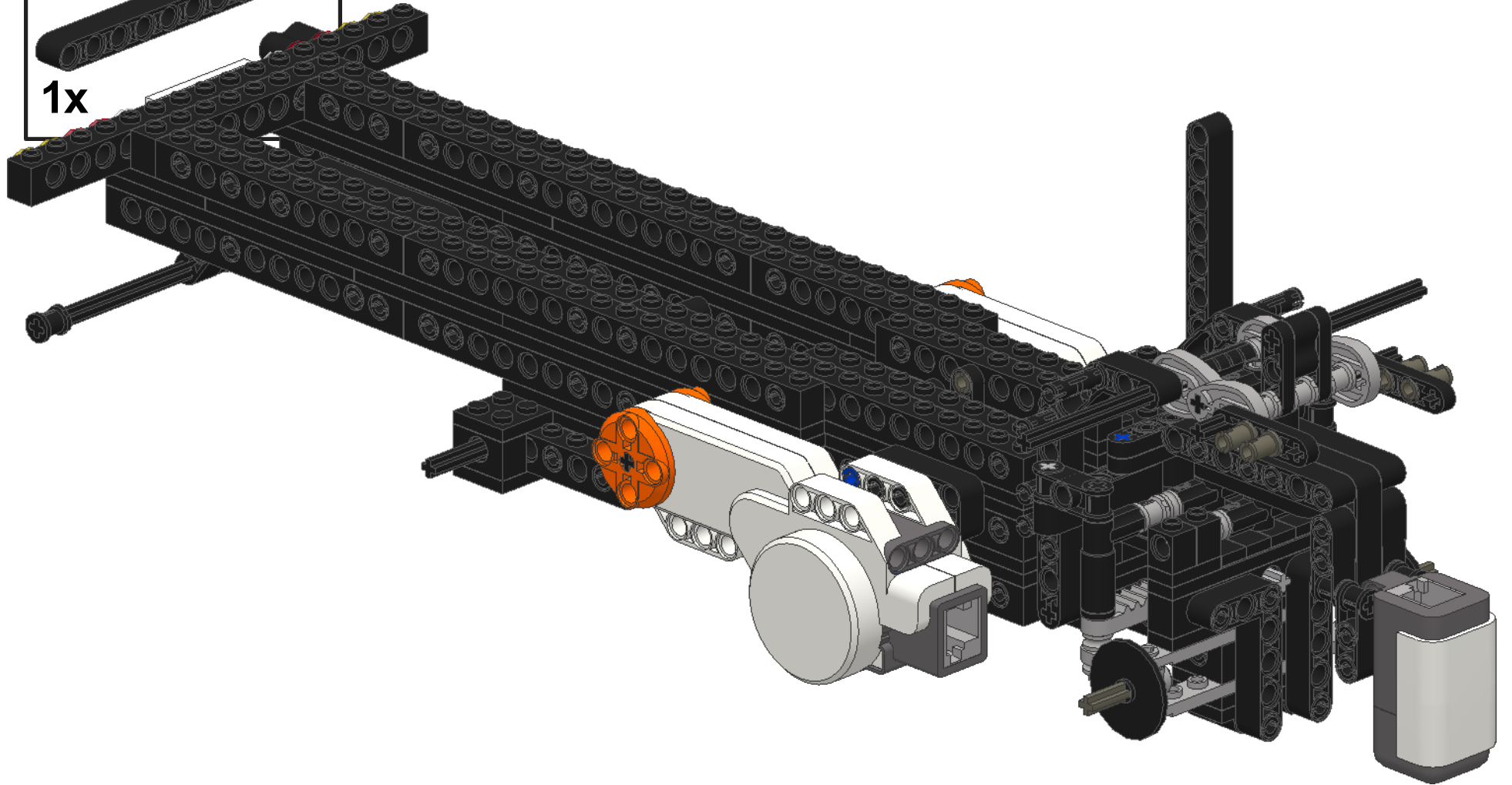
47

2

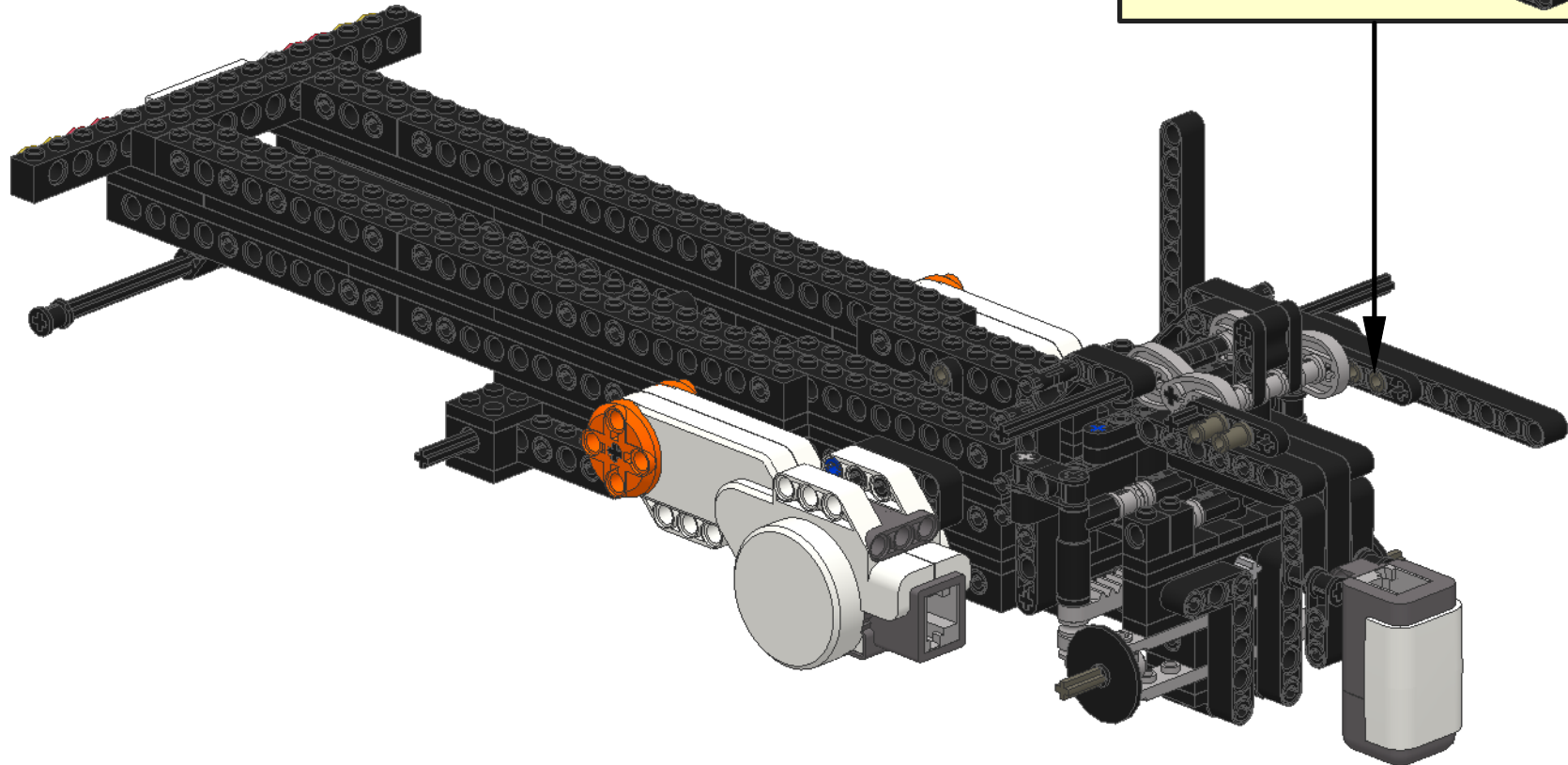
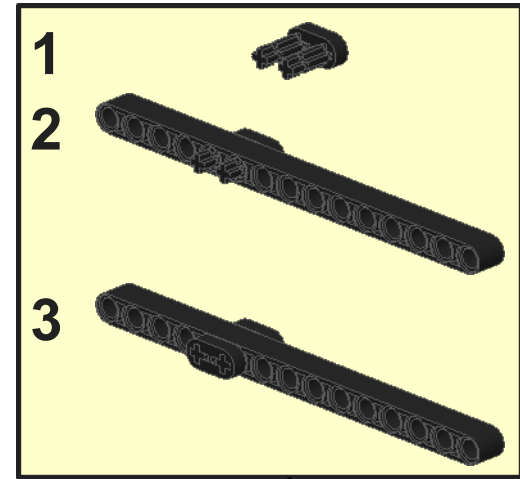
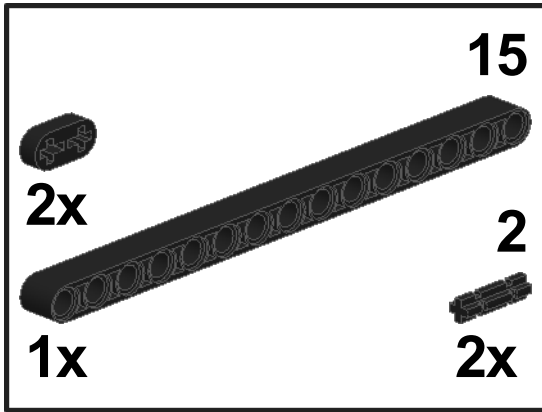
11

1x

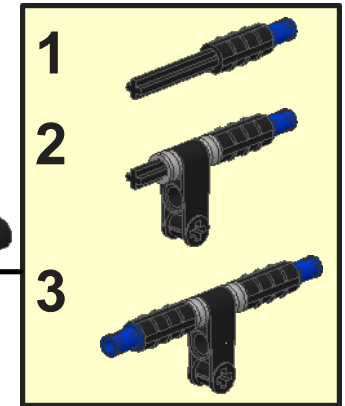
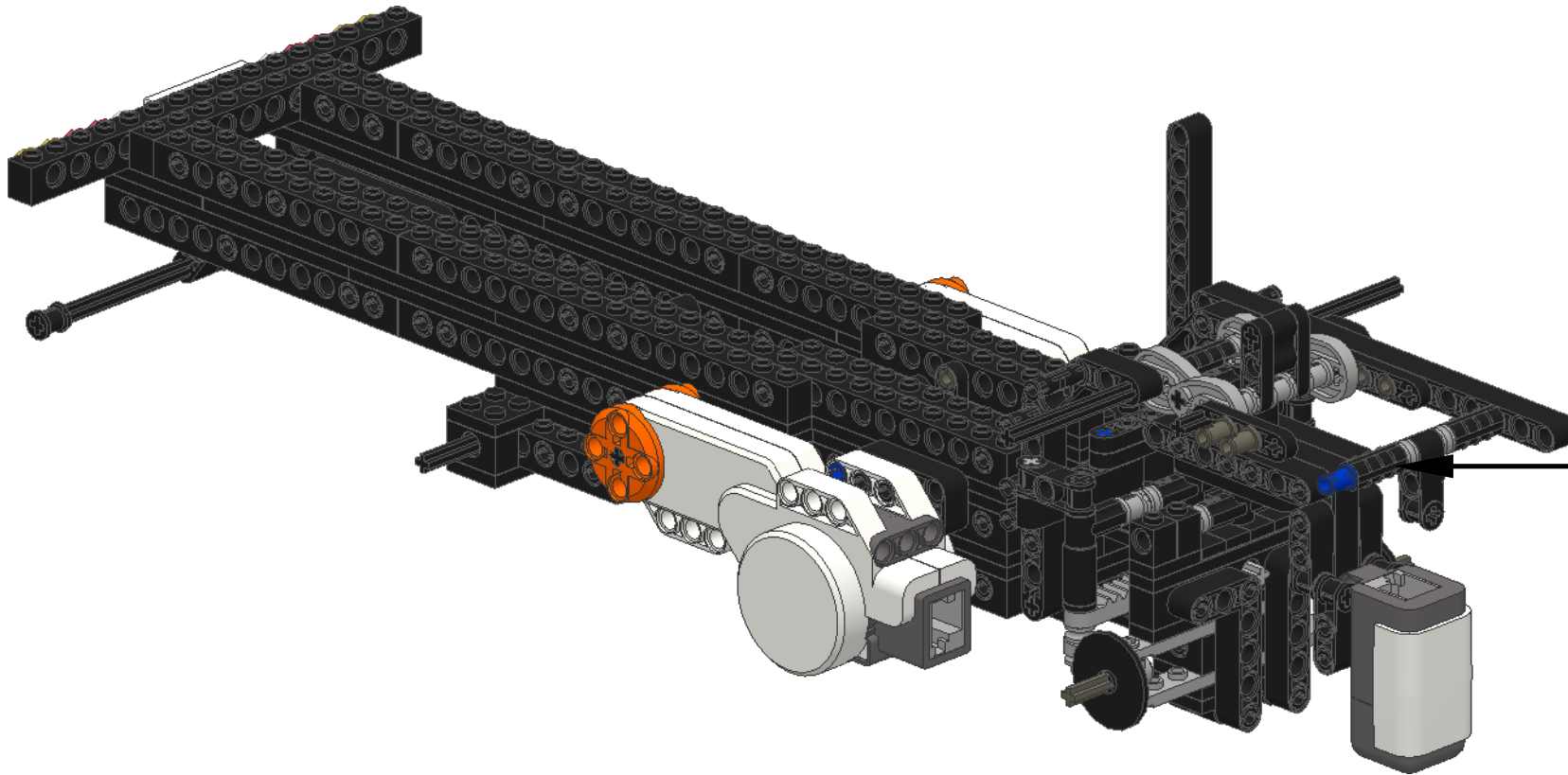
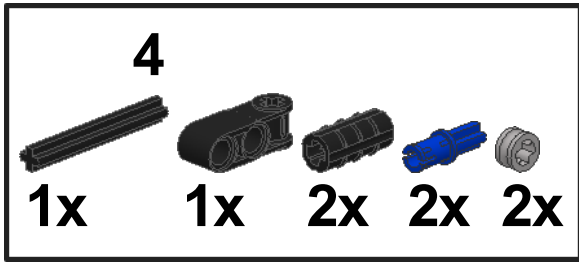
1x



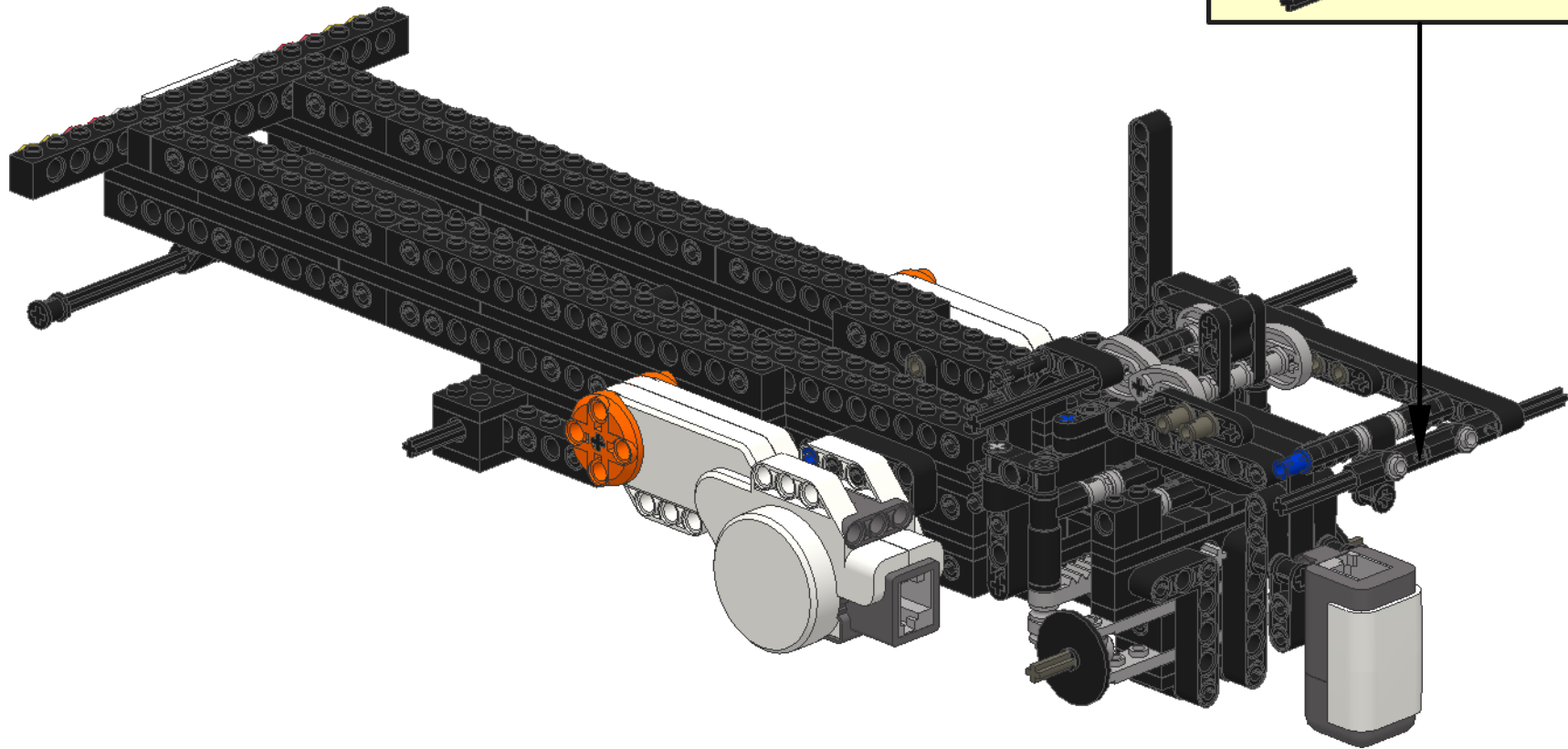
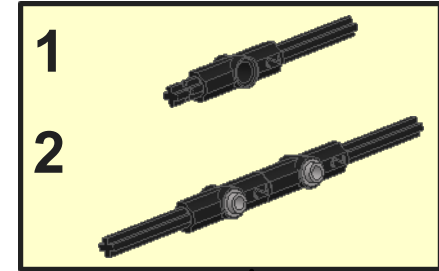
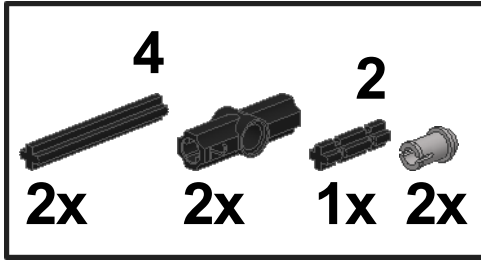
48



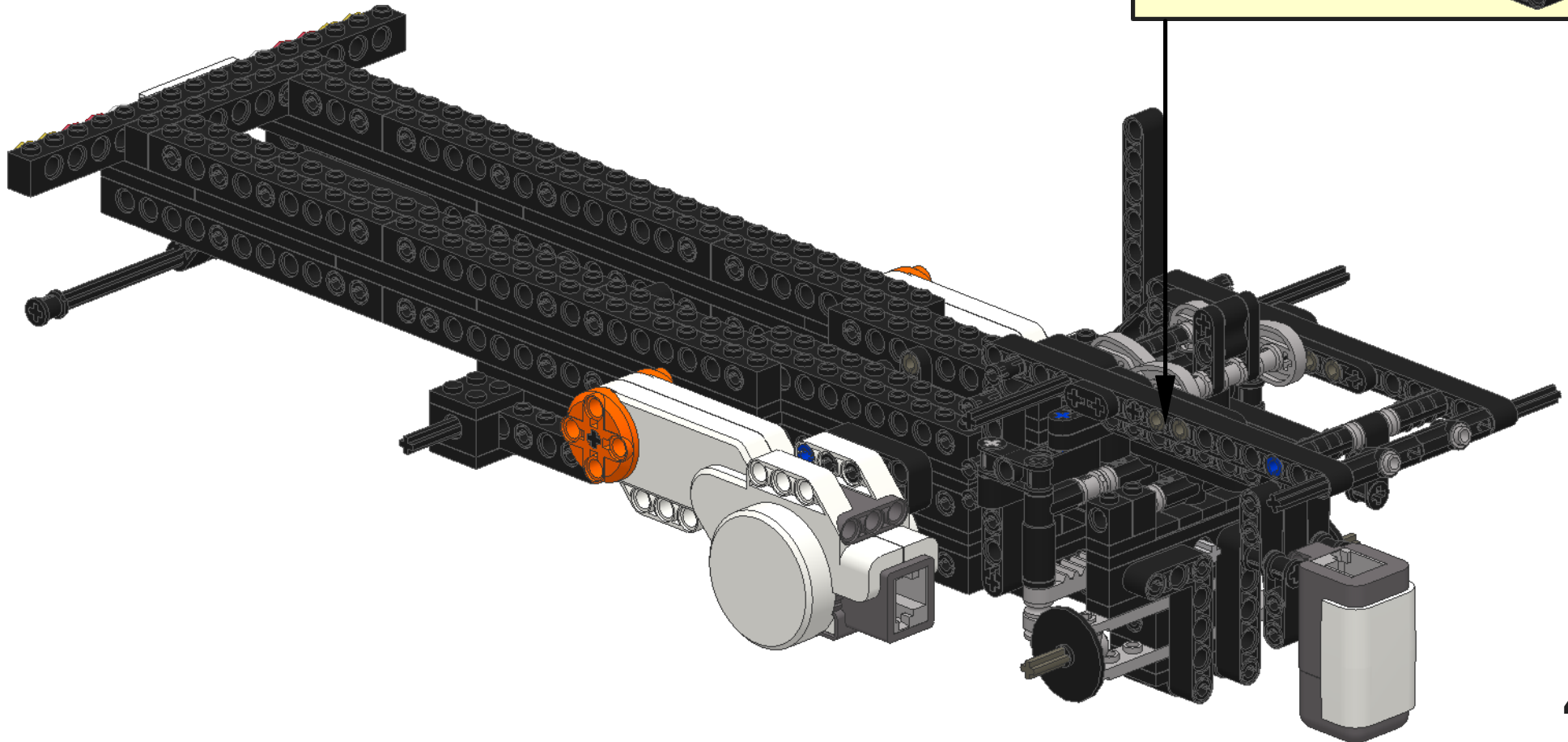
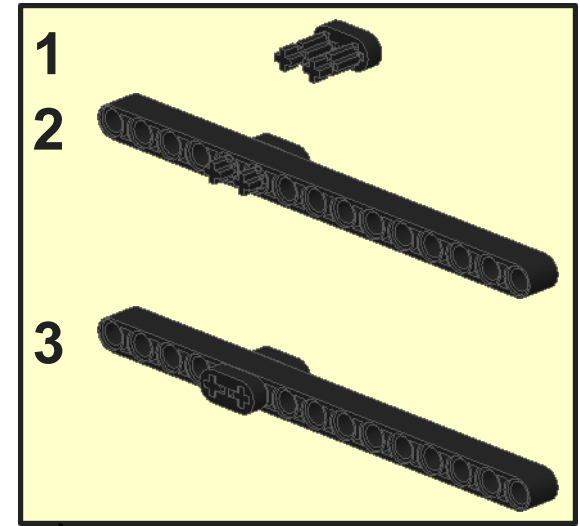
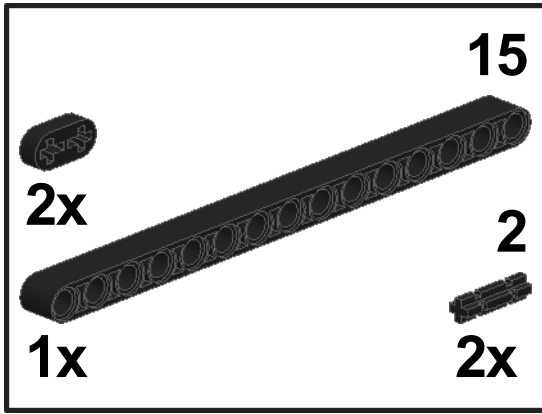
49



50

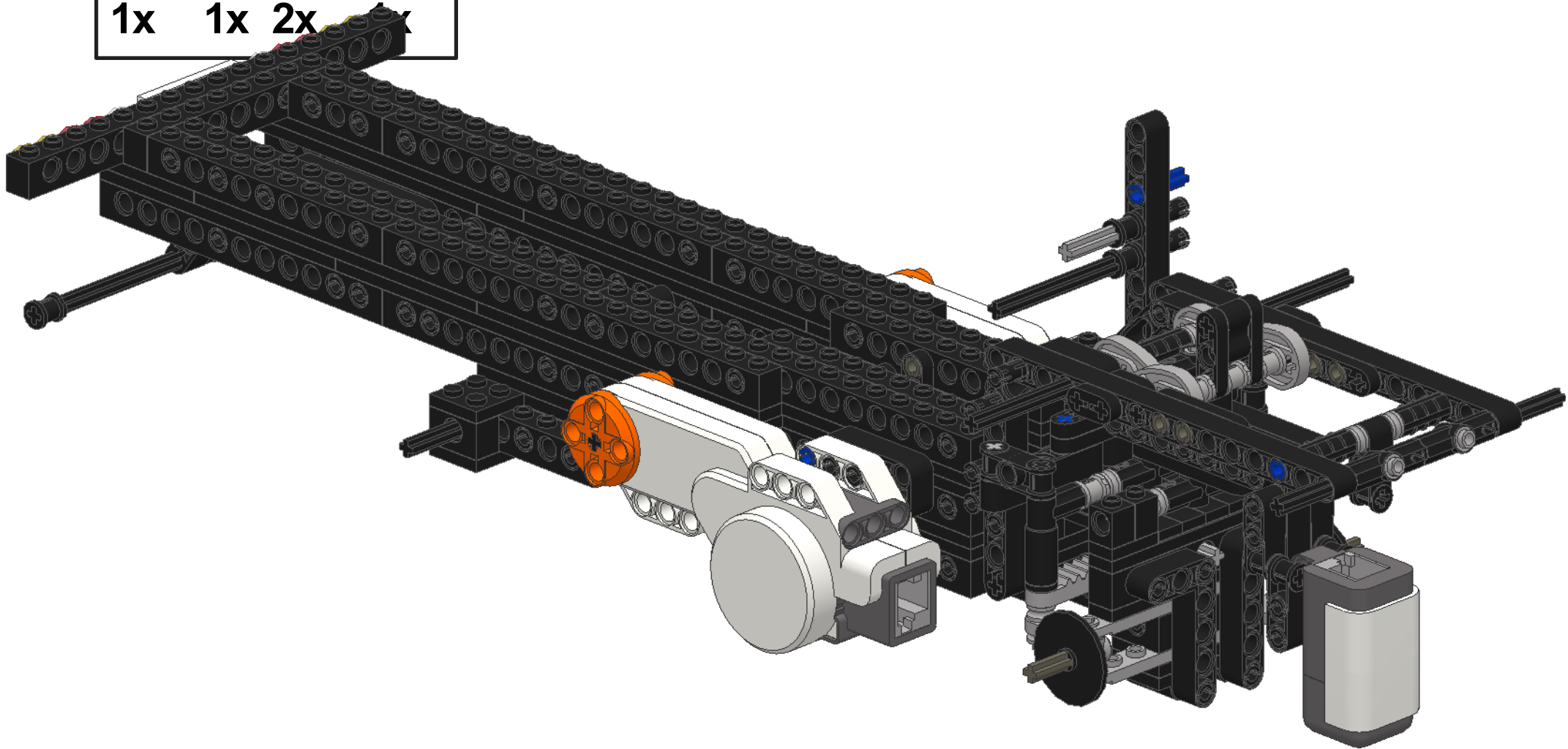
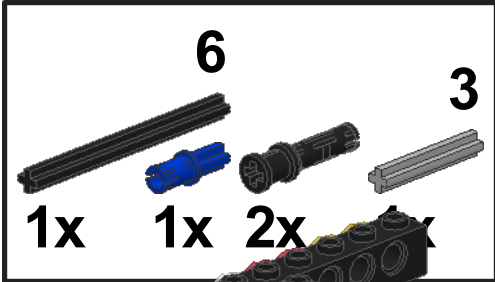


51

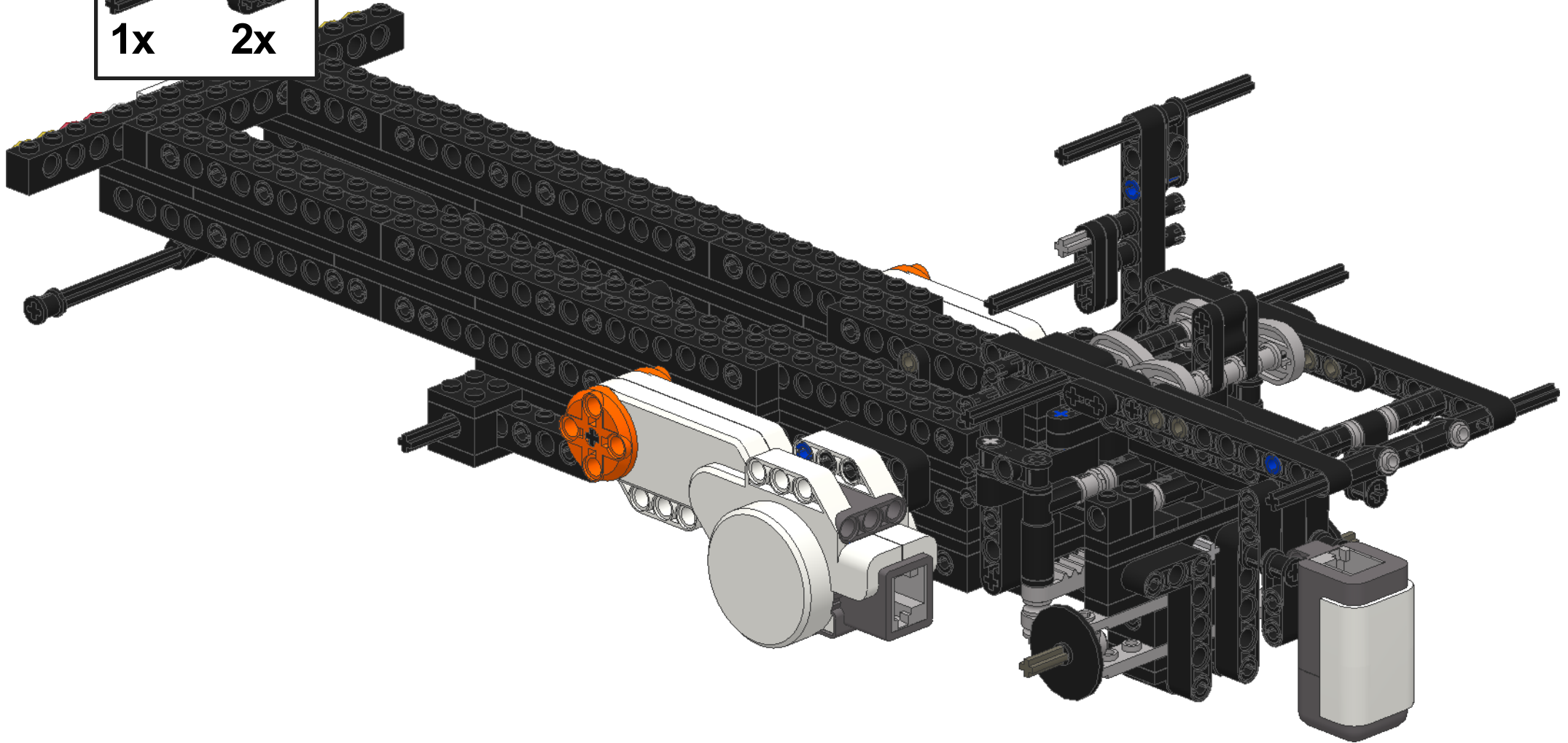
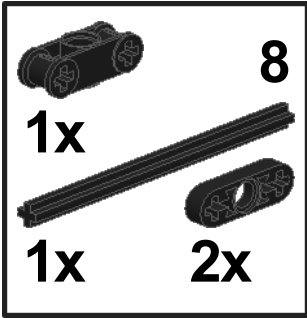


52

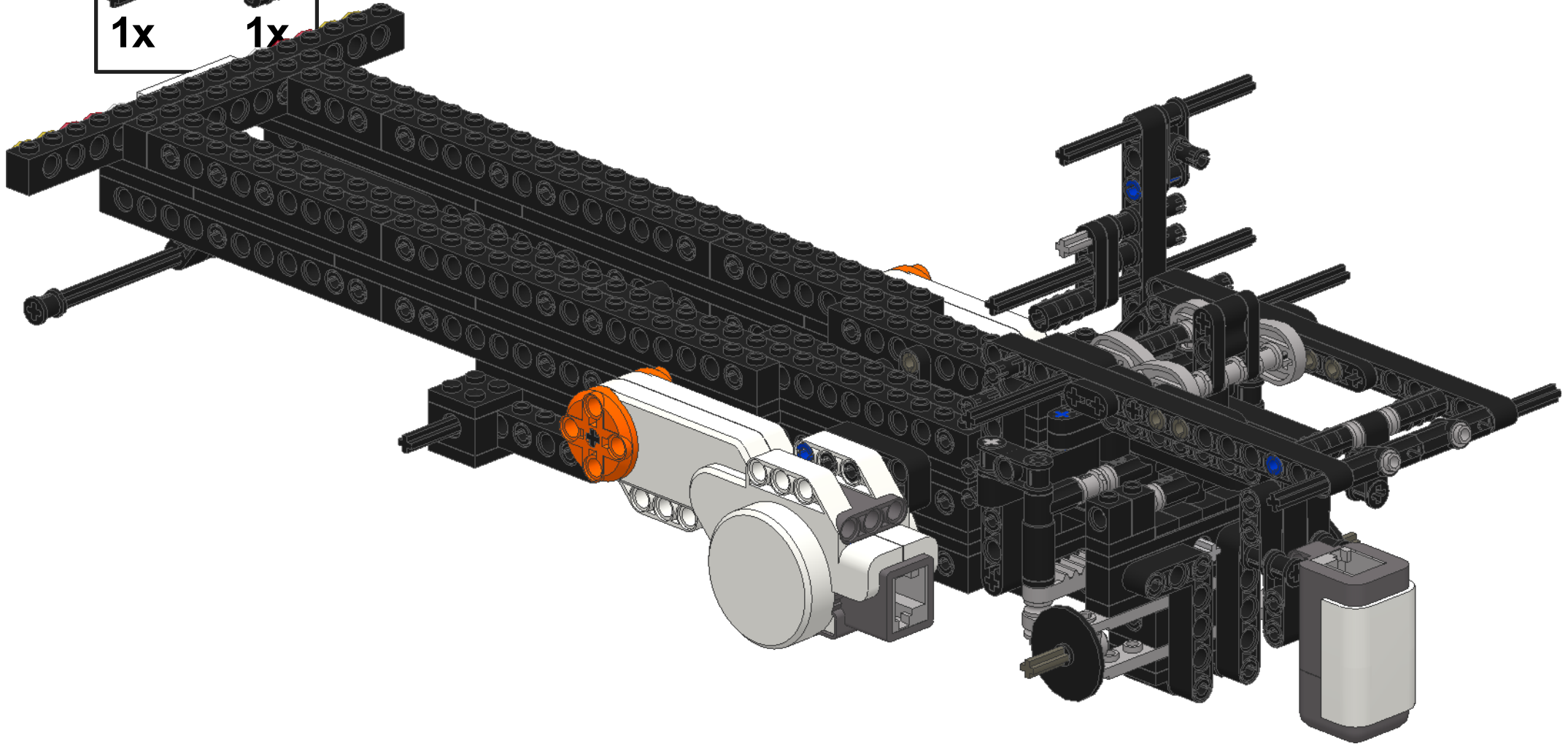
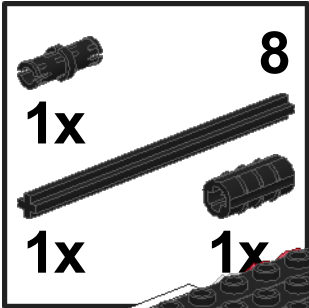
6
1x 1x 2x 3



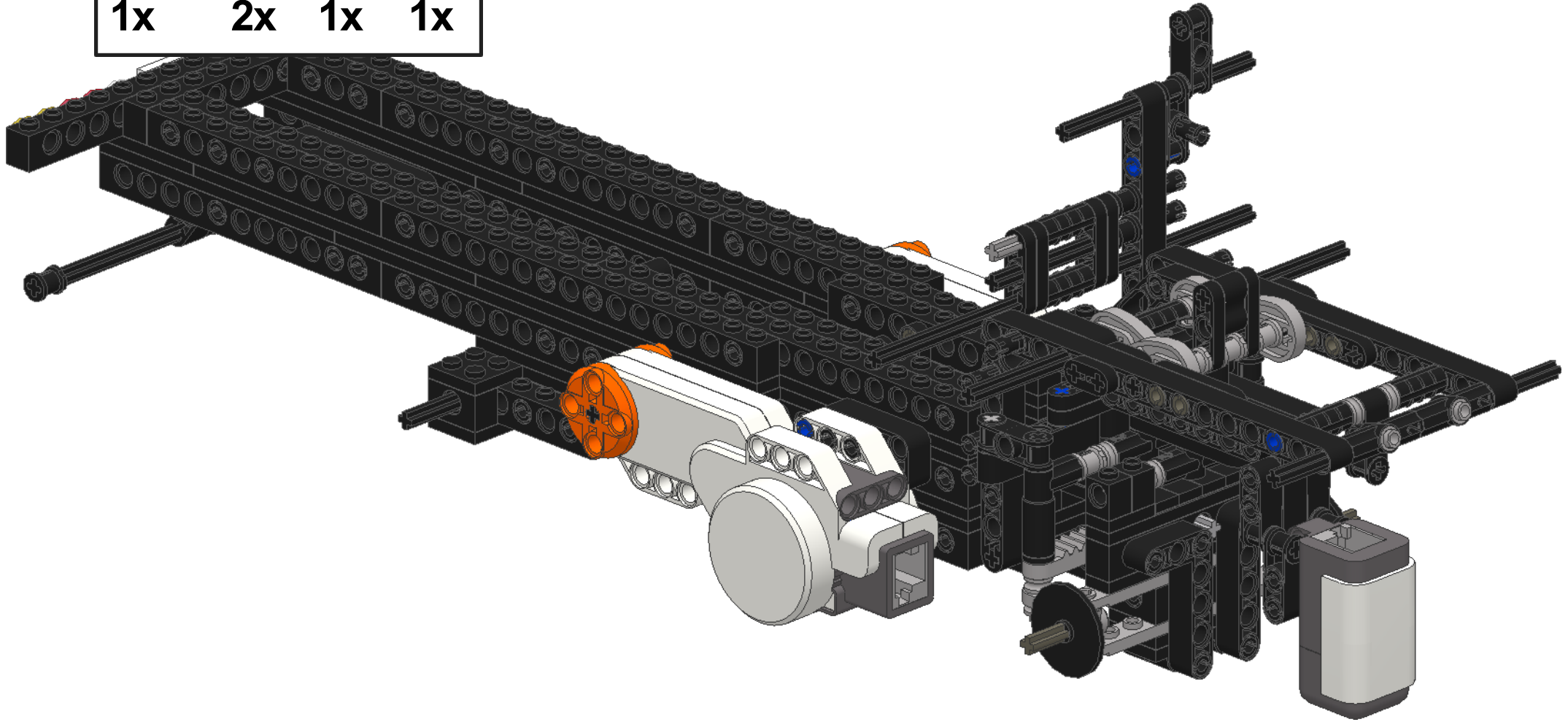
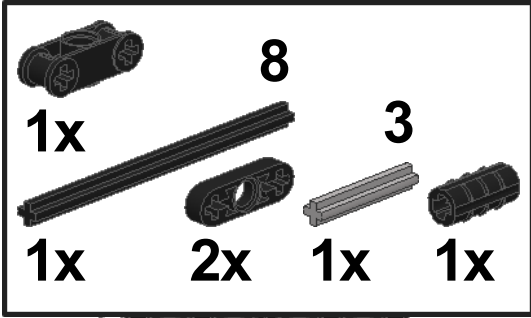
53



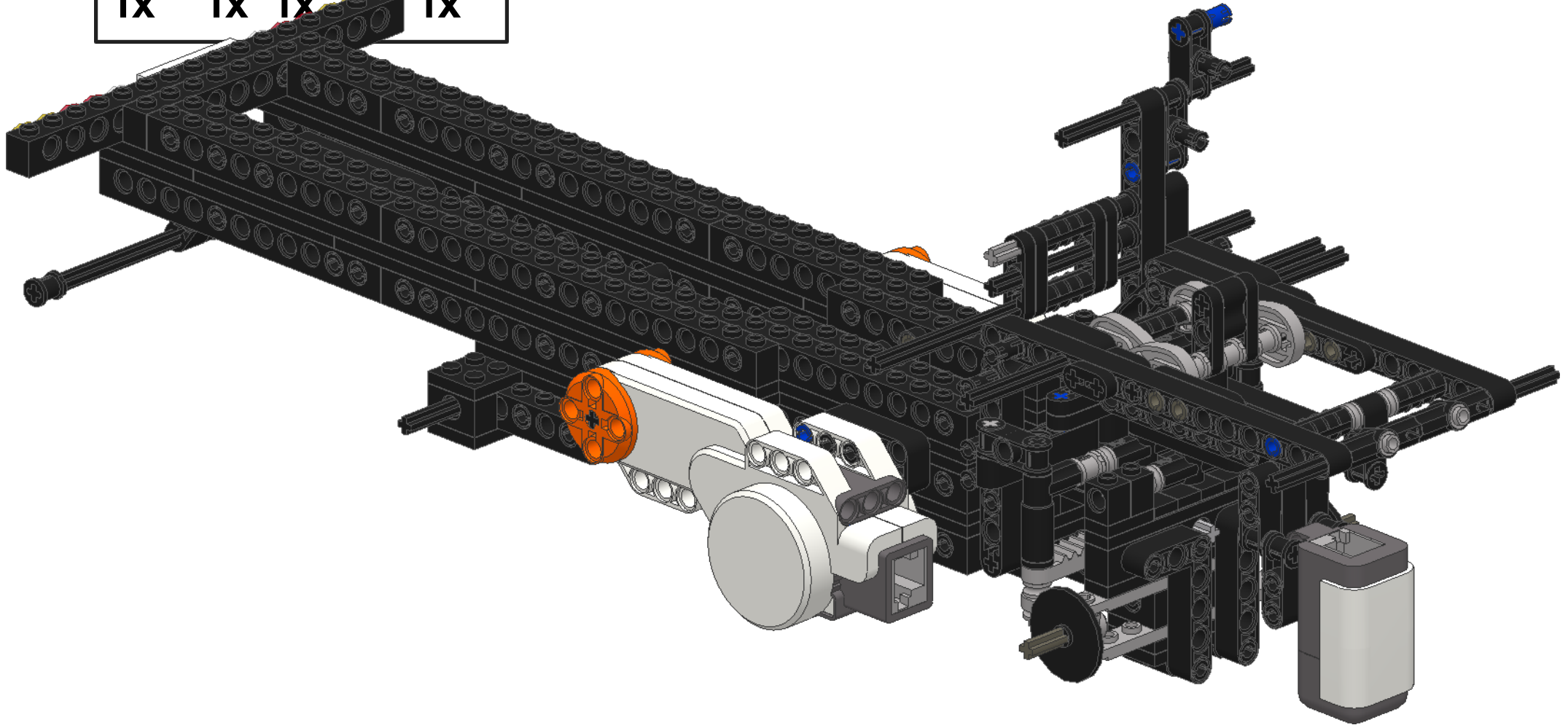
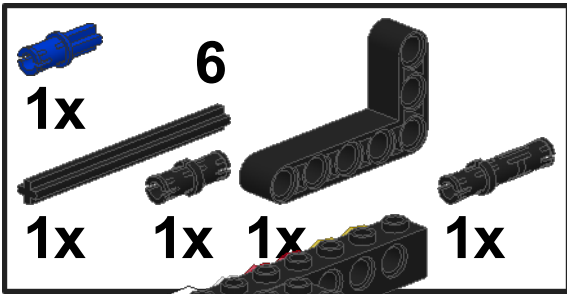
54







55

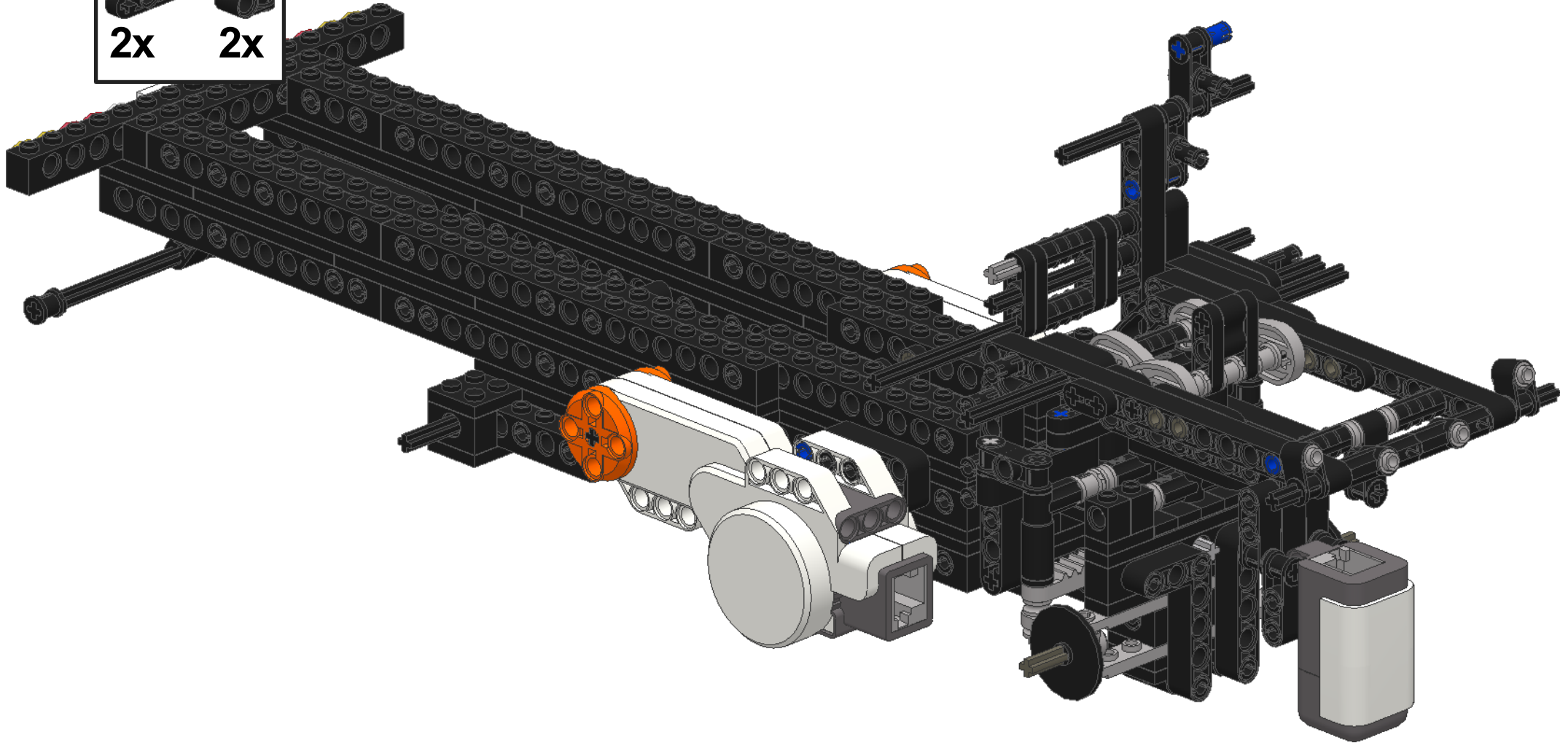


56

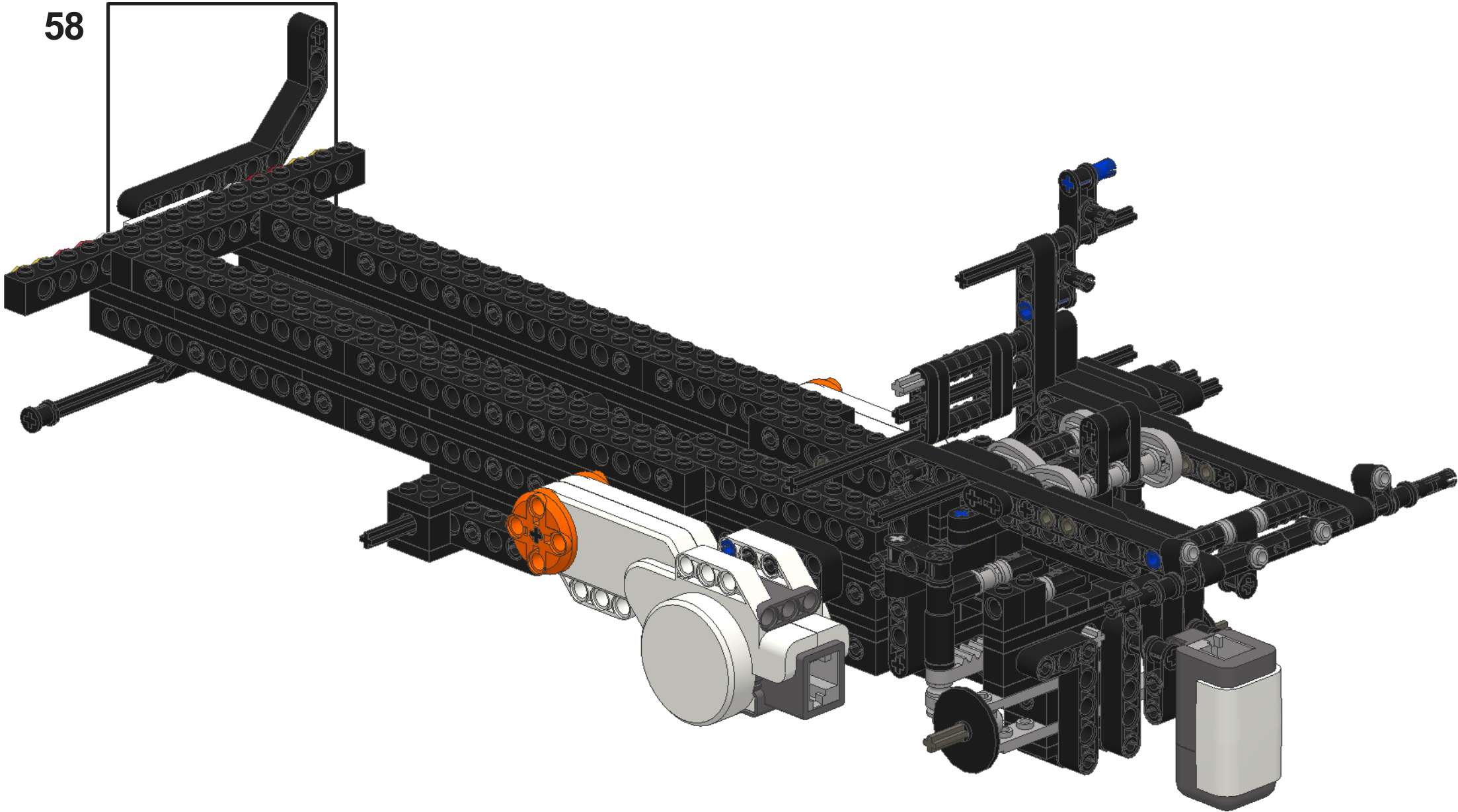


57

- | | |
|---|---|
|  |  |
| 1x | 2x |
|  |  |
| 2x | 2x |

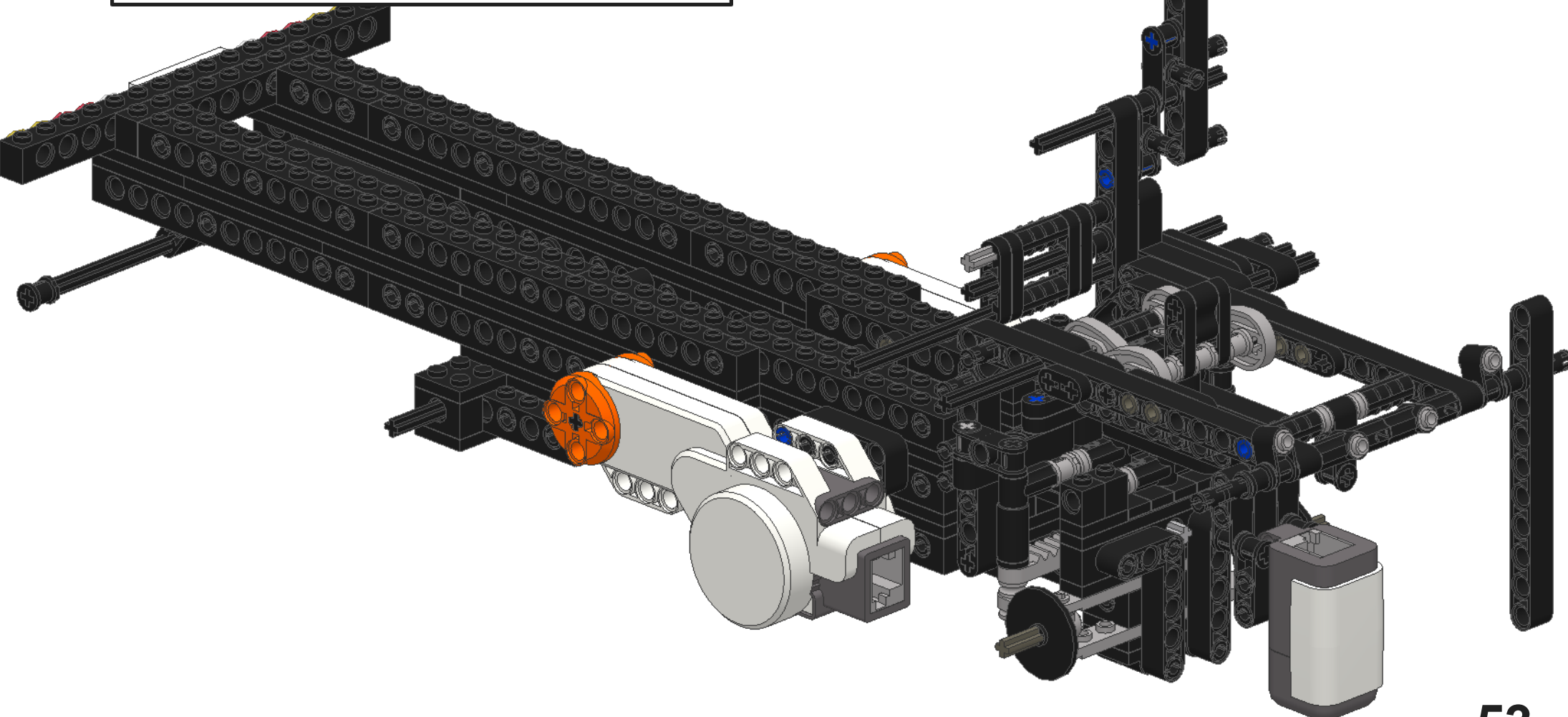
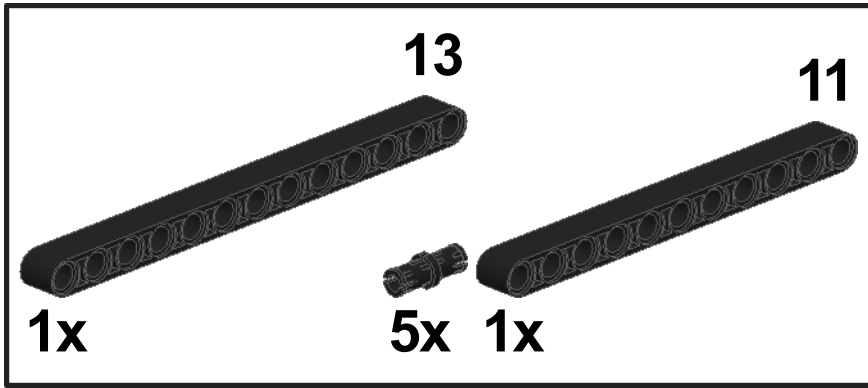


58



52

59



53

60

15



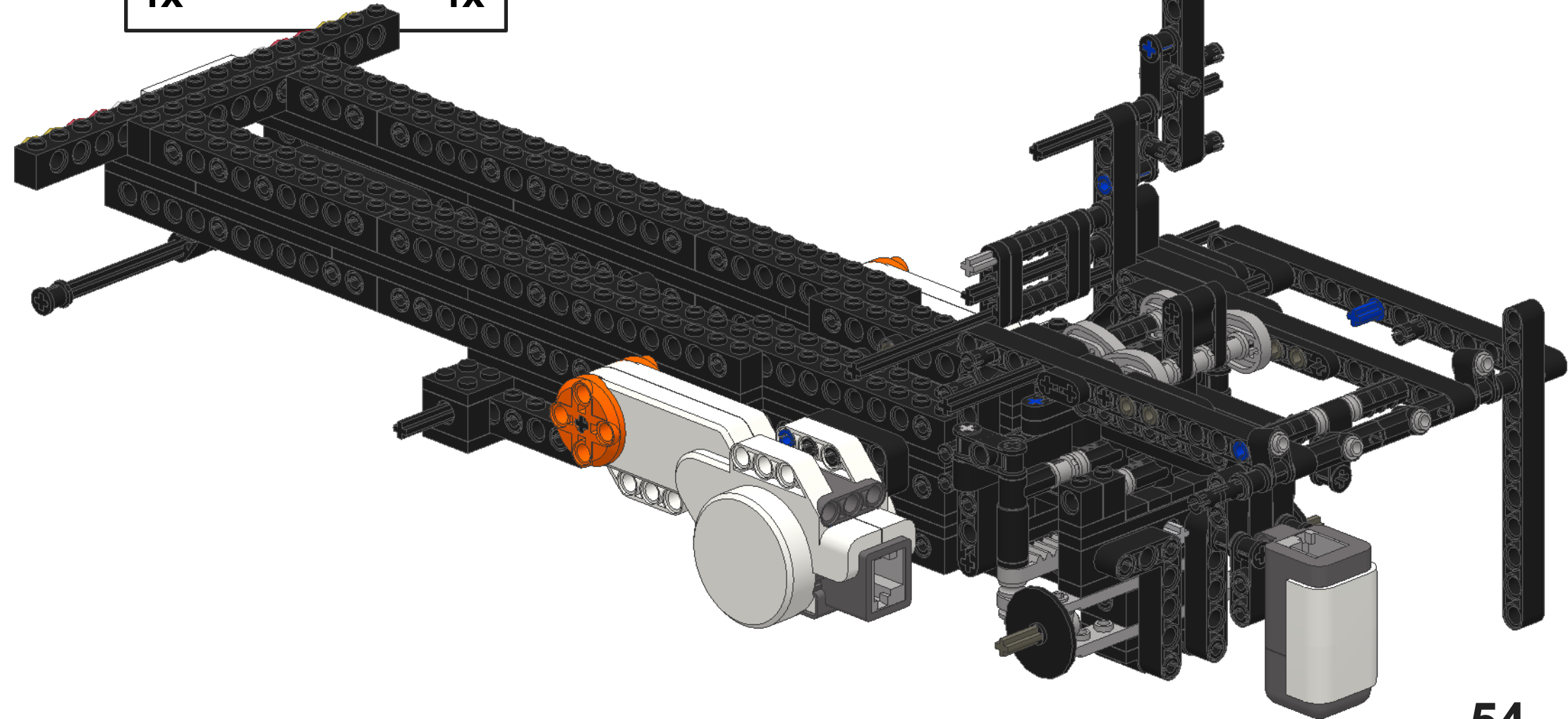
1x



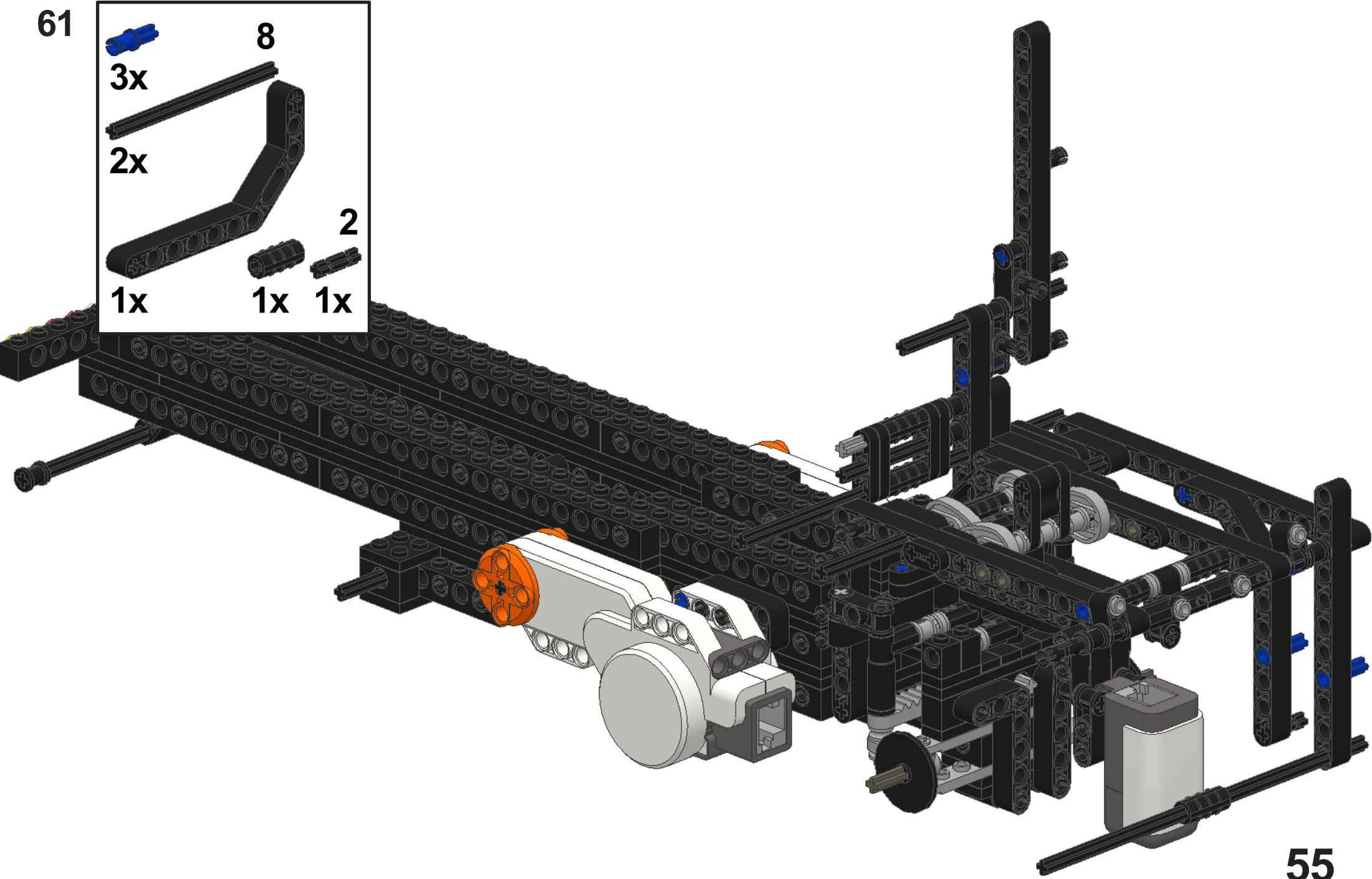
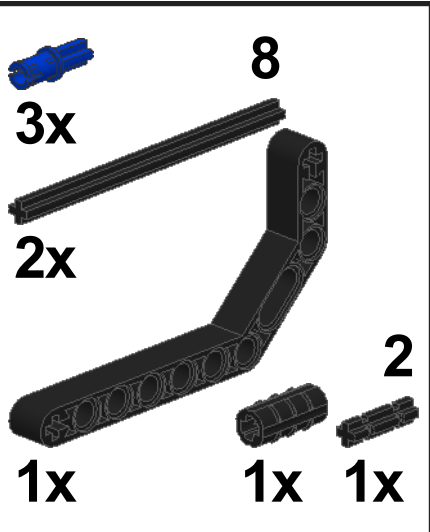
1x



1x



61



62



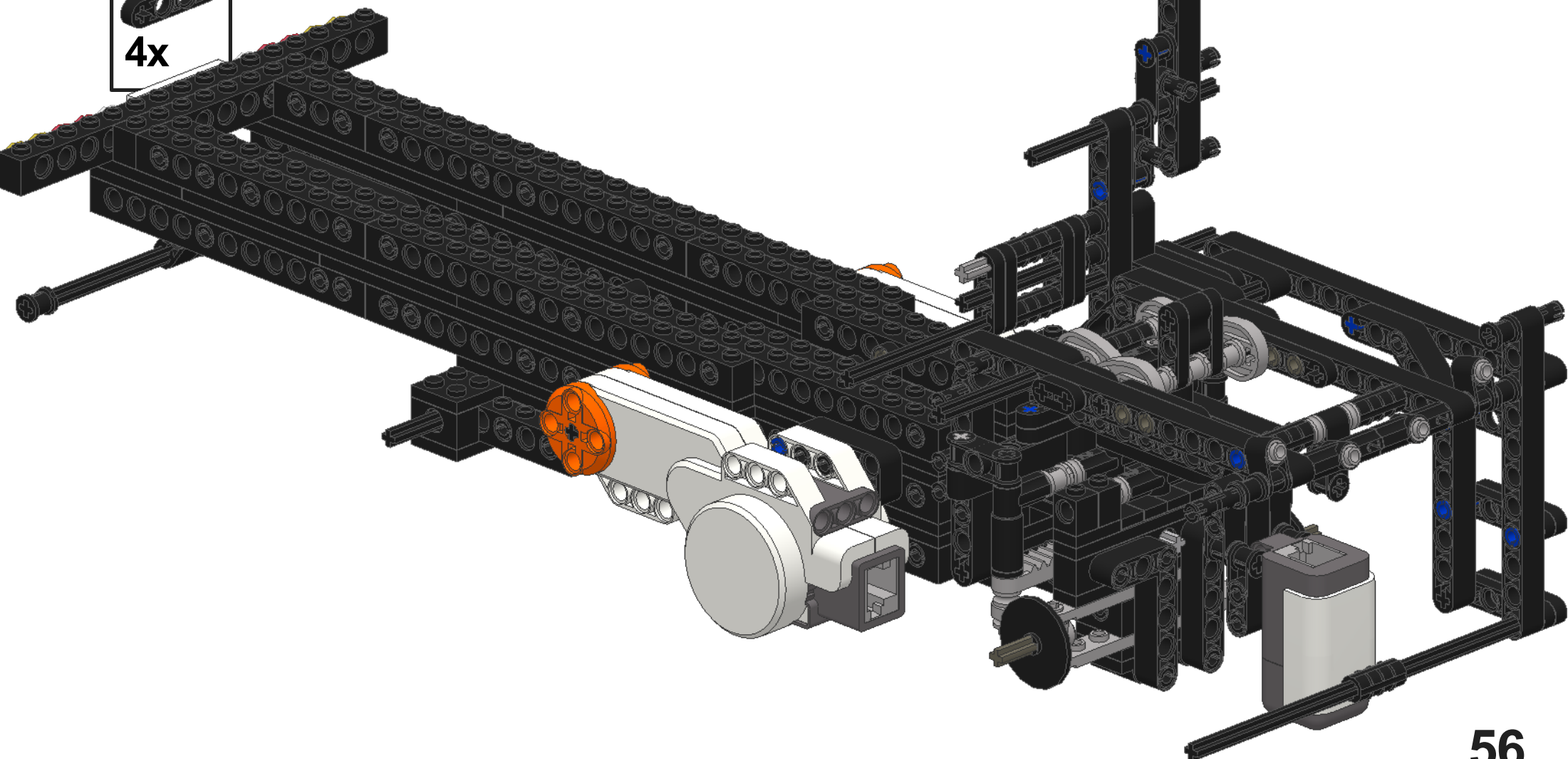
1x



1x

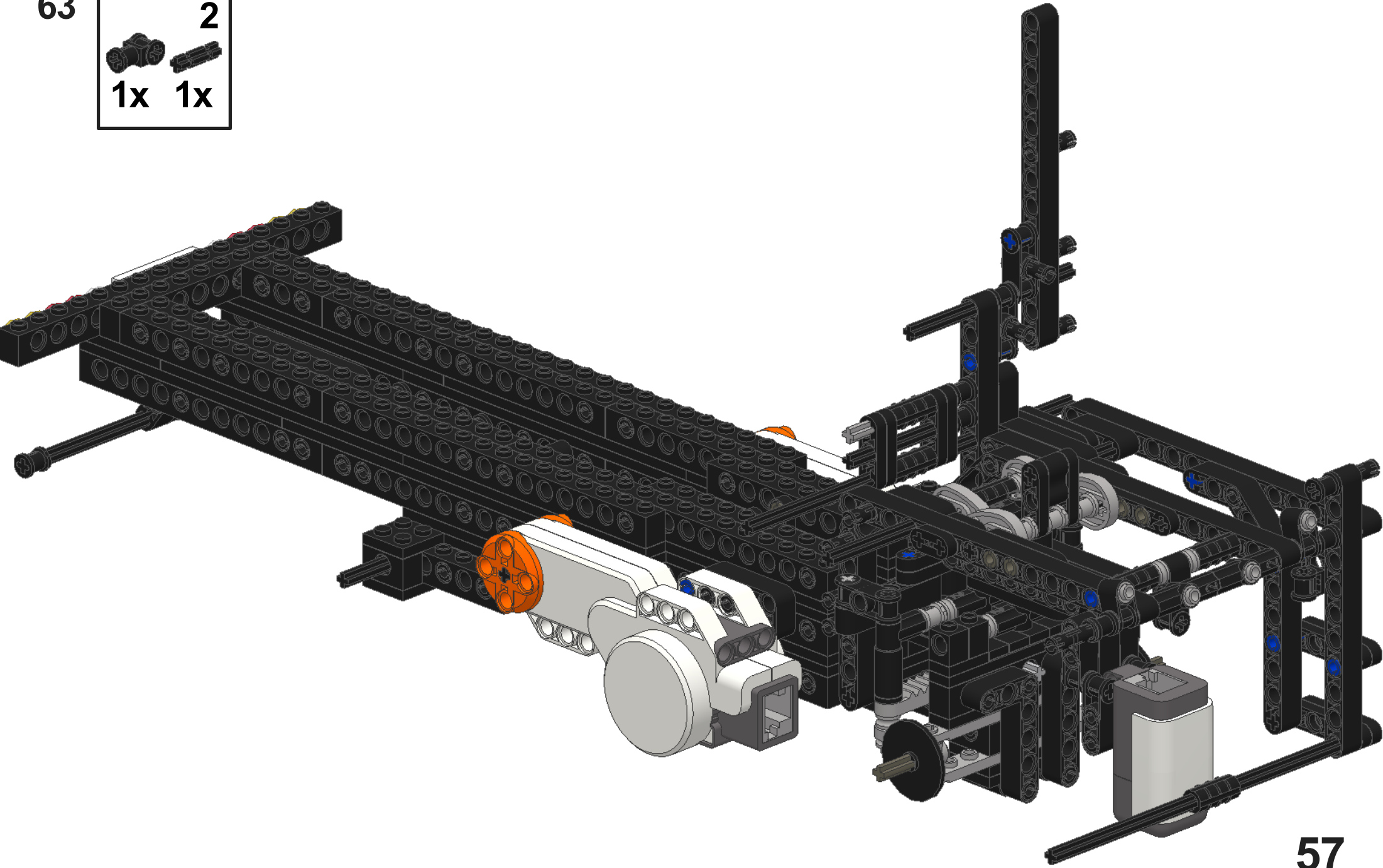
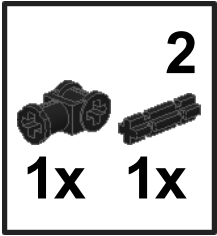


4x



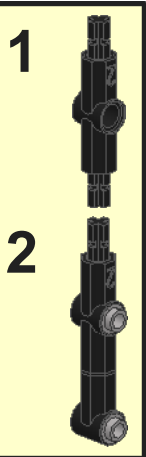
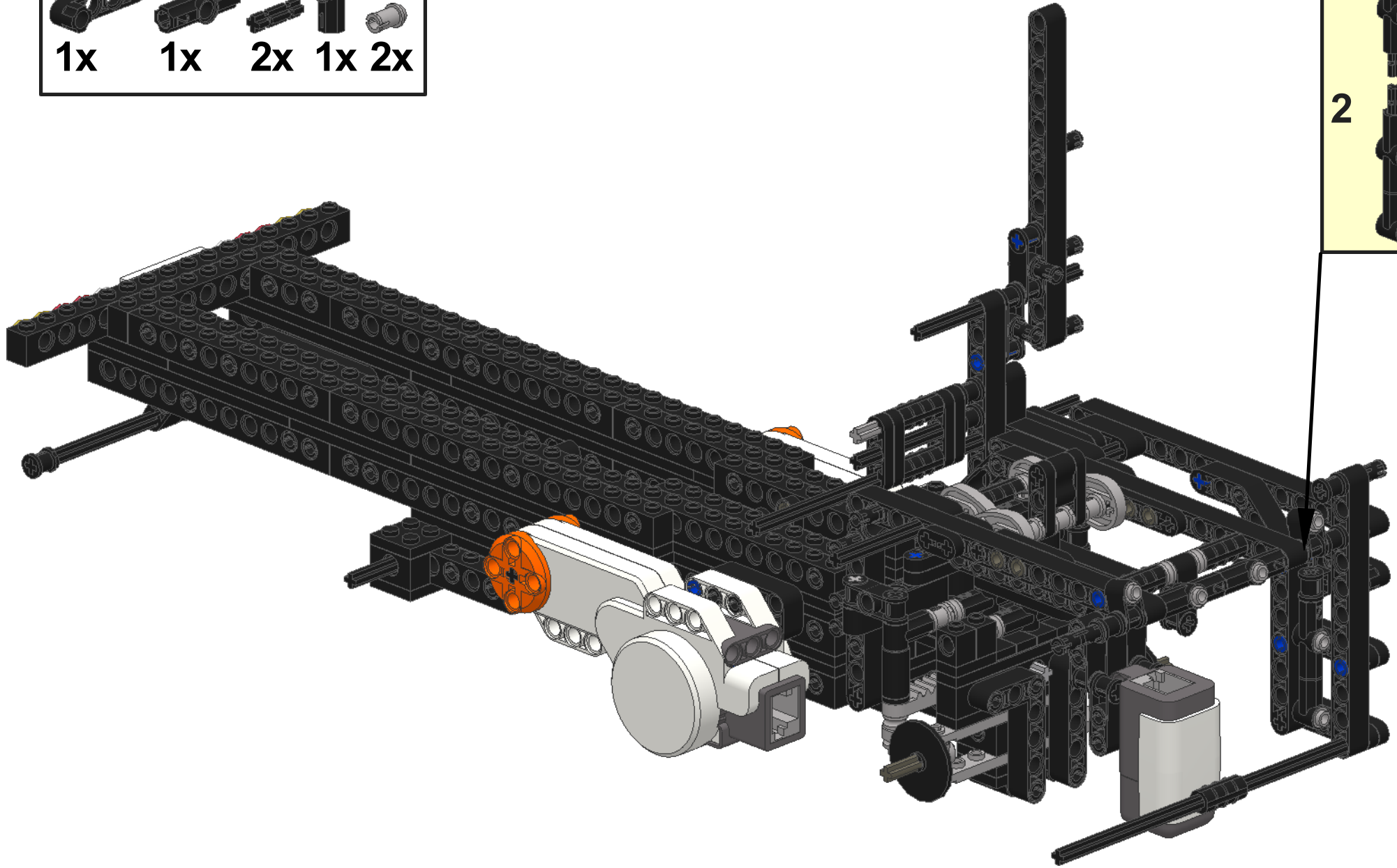
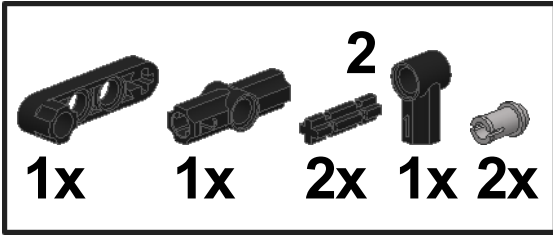
56

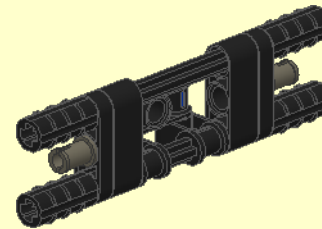
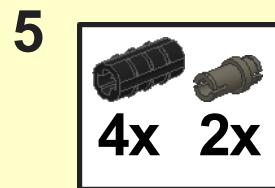
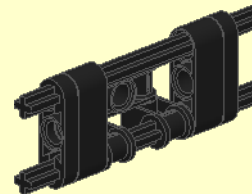
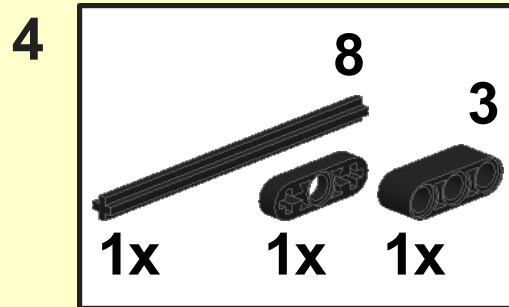
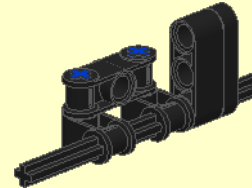
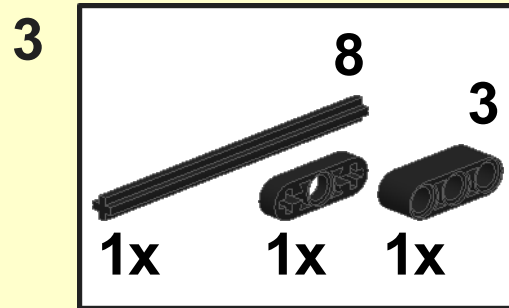
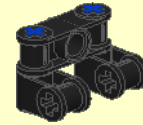
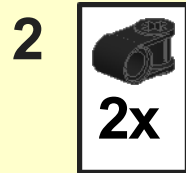
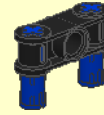
63

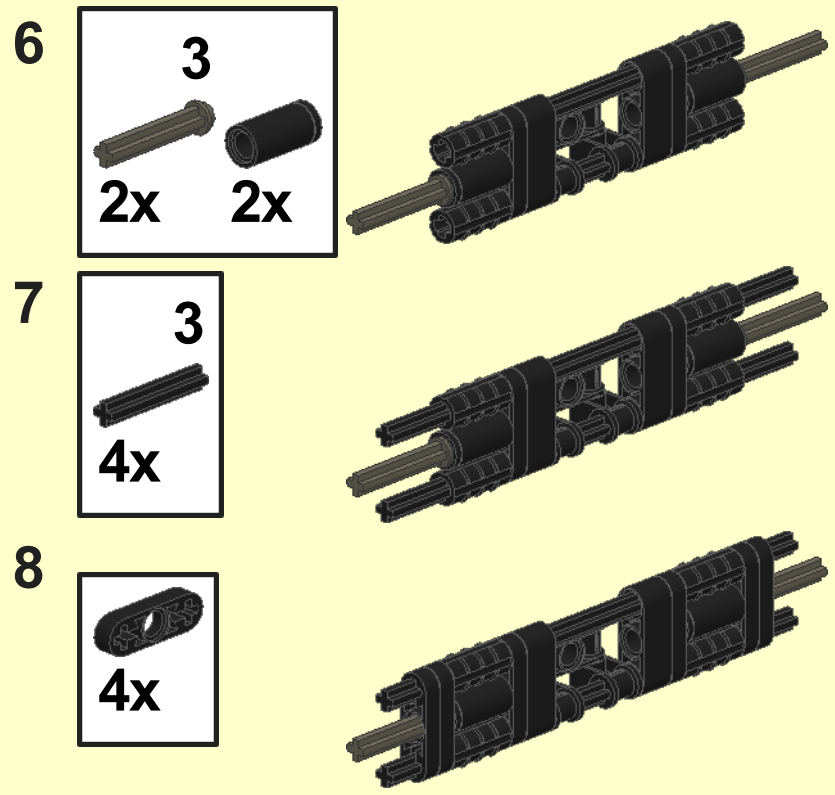


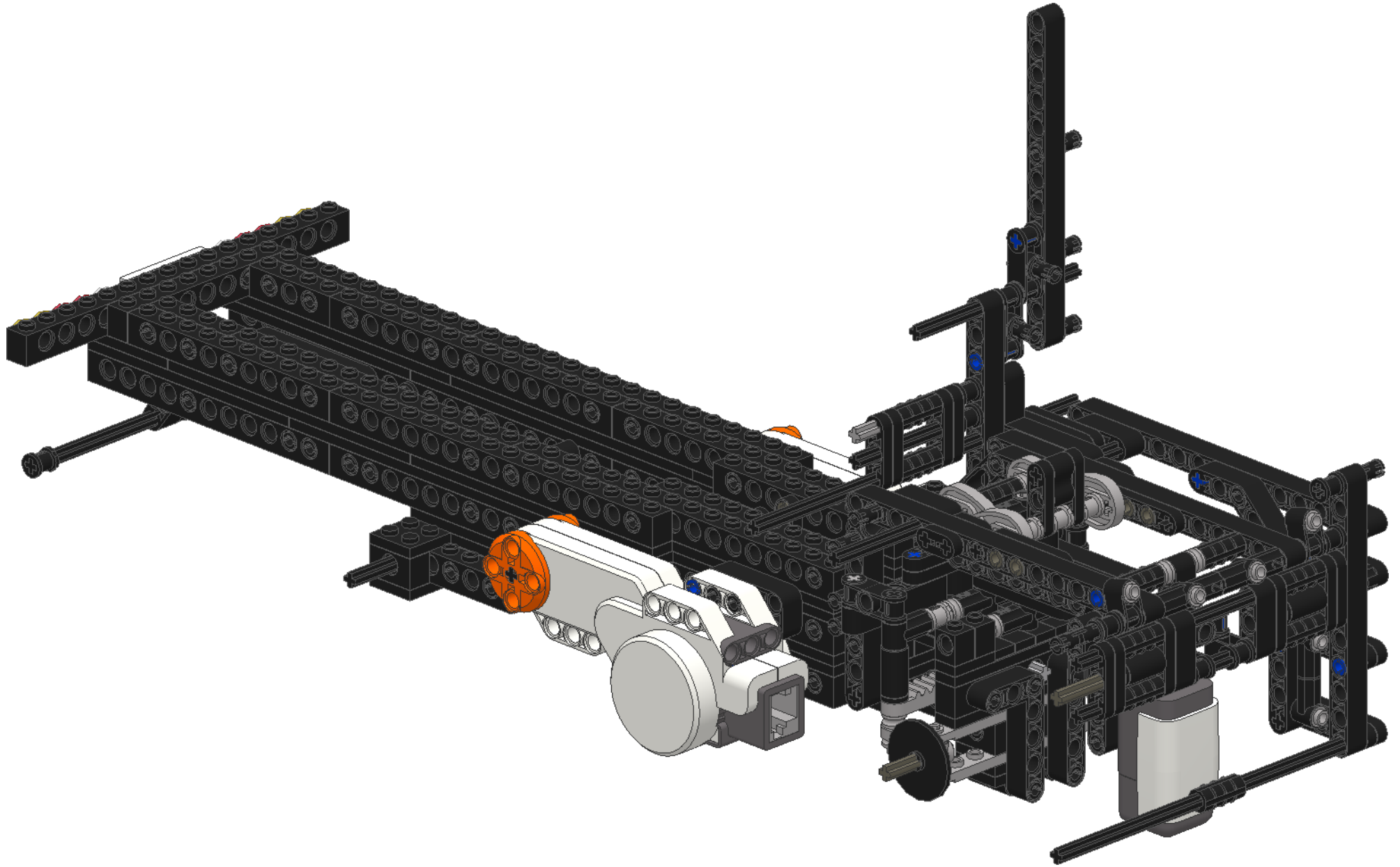
57

64

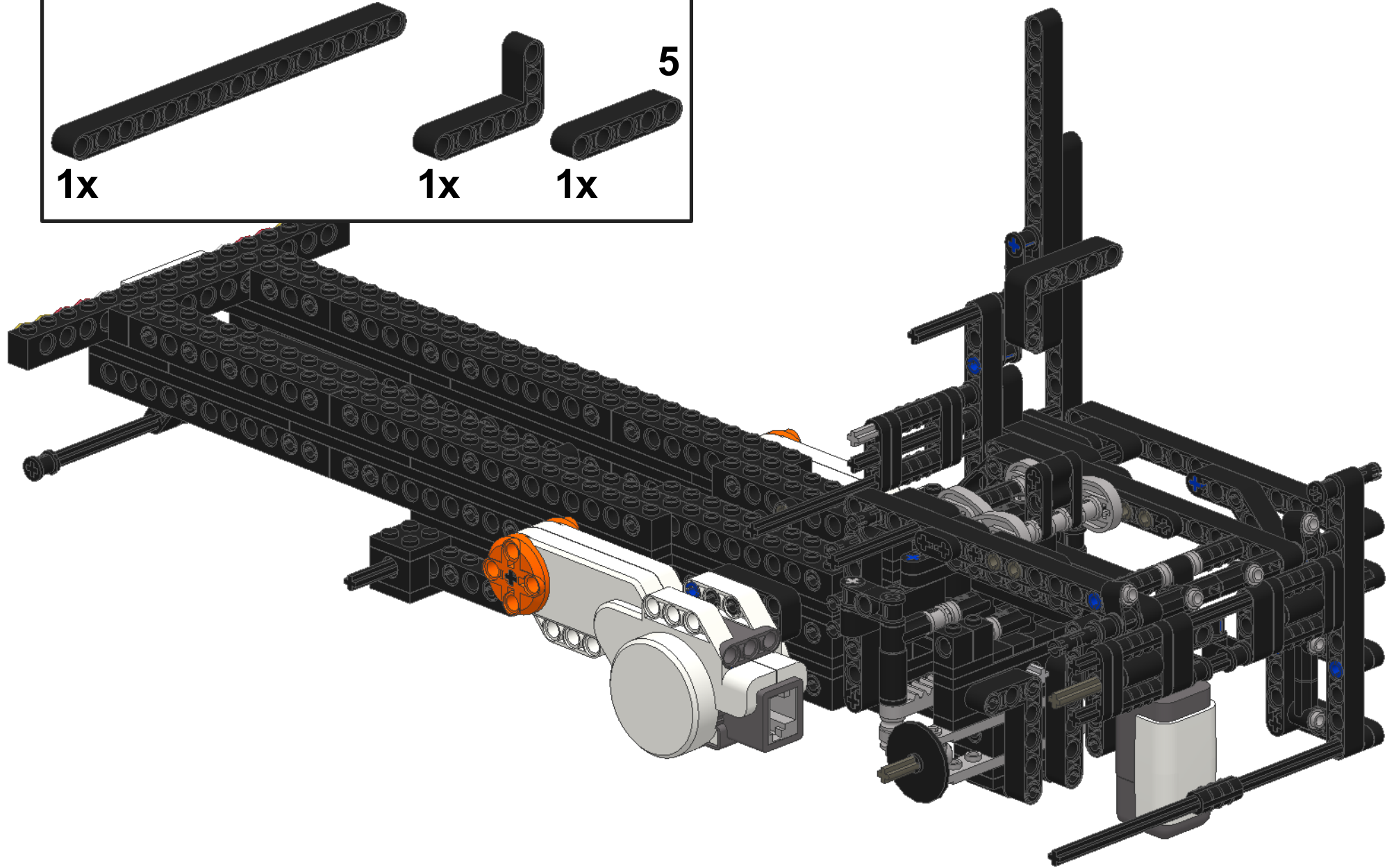
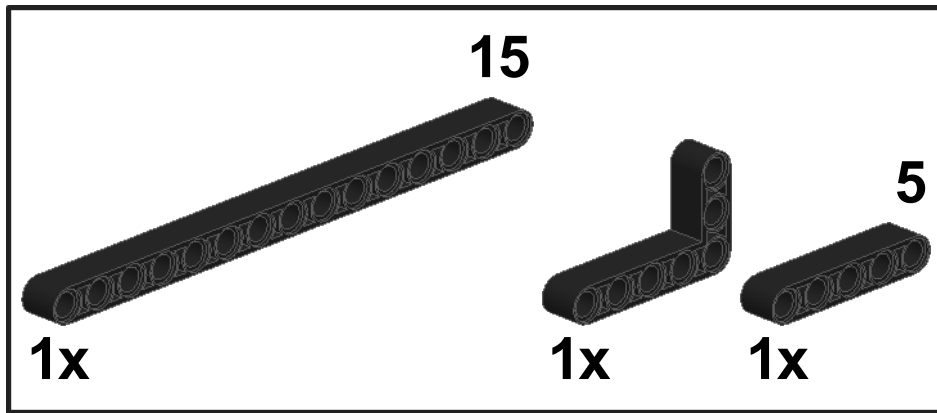






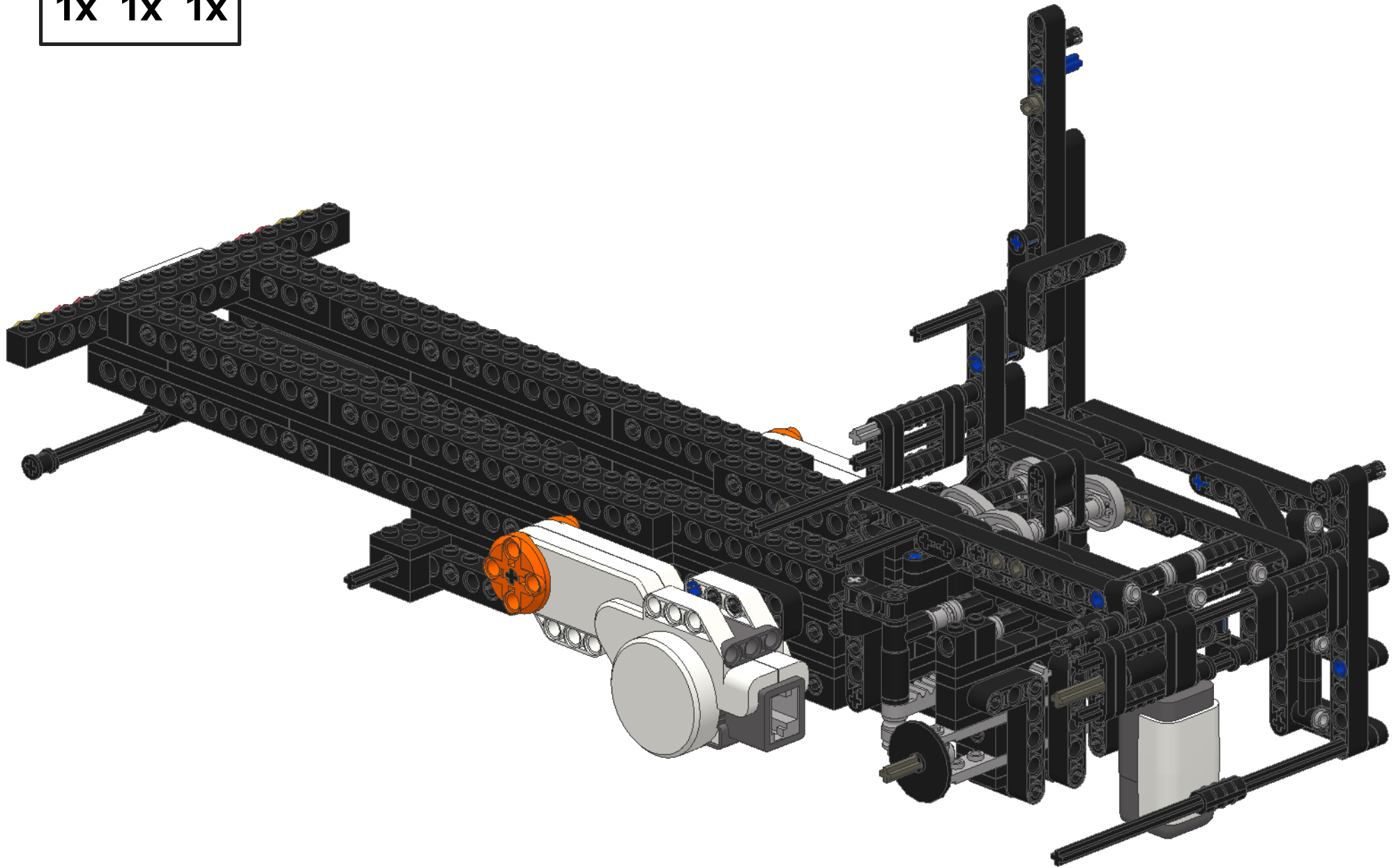
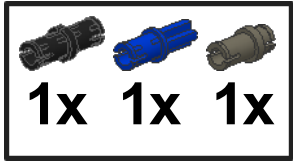


66

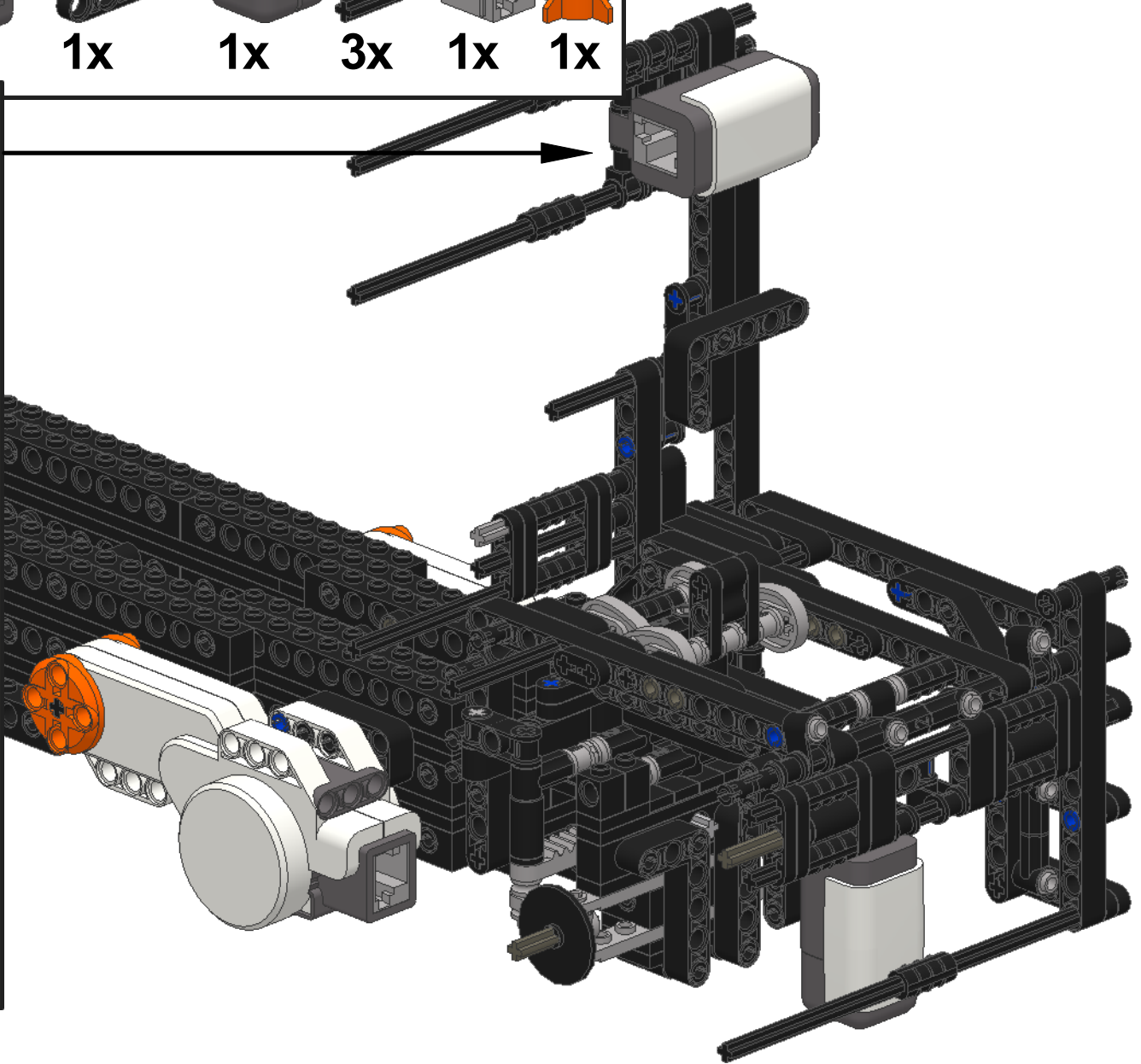
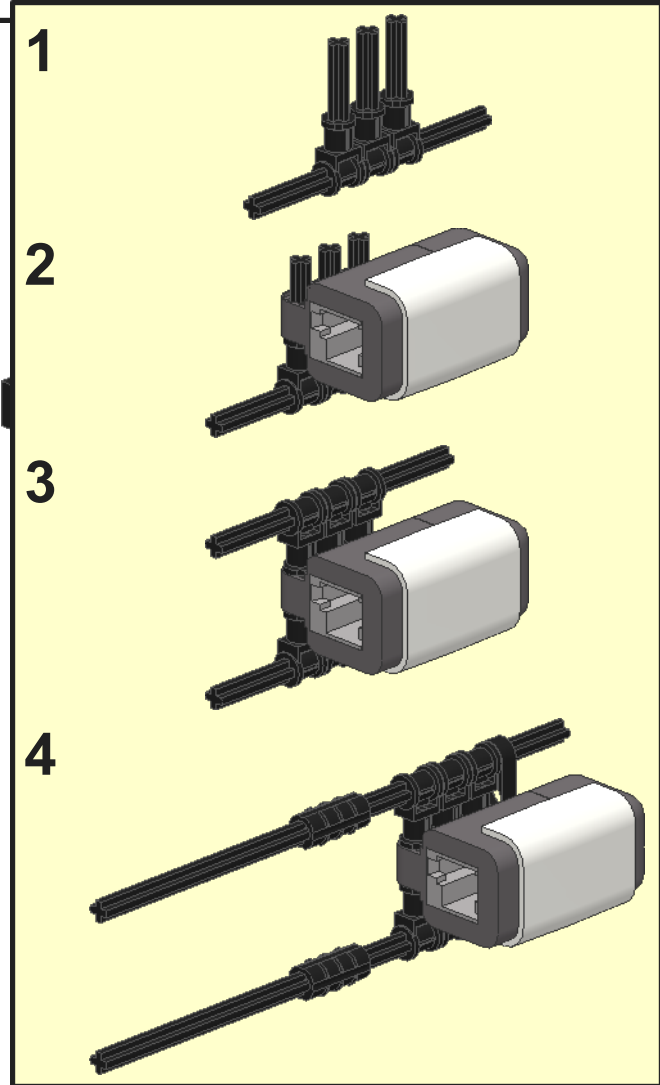
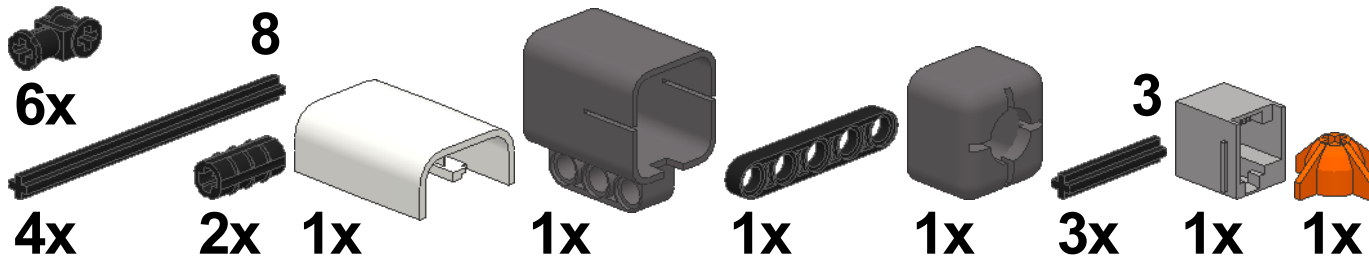


62

67

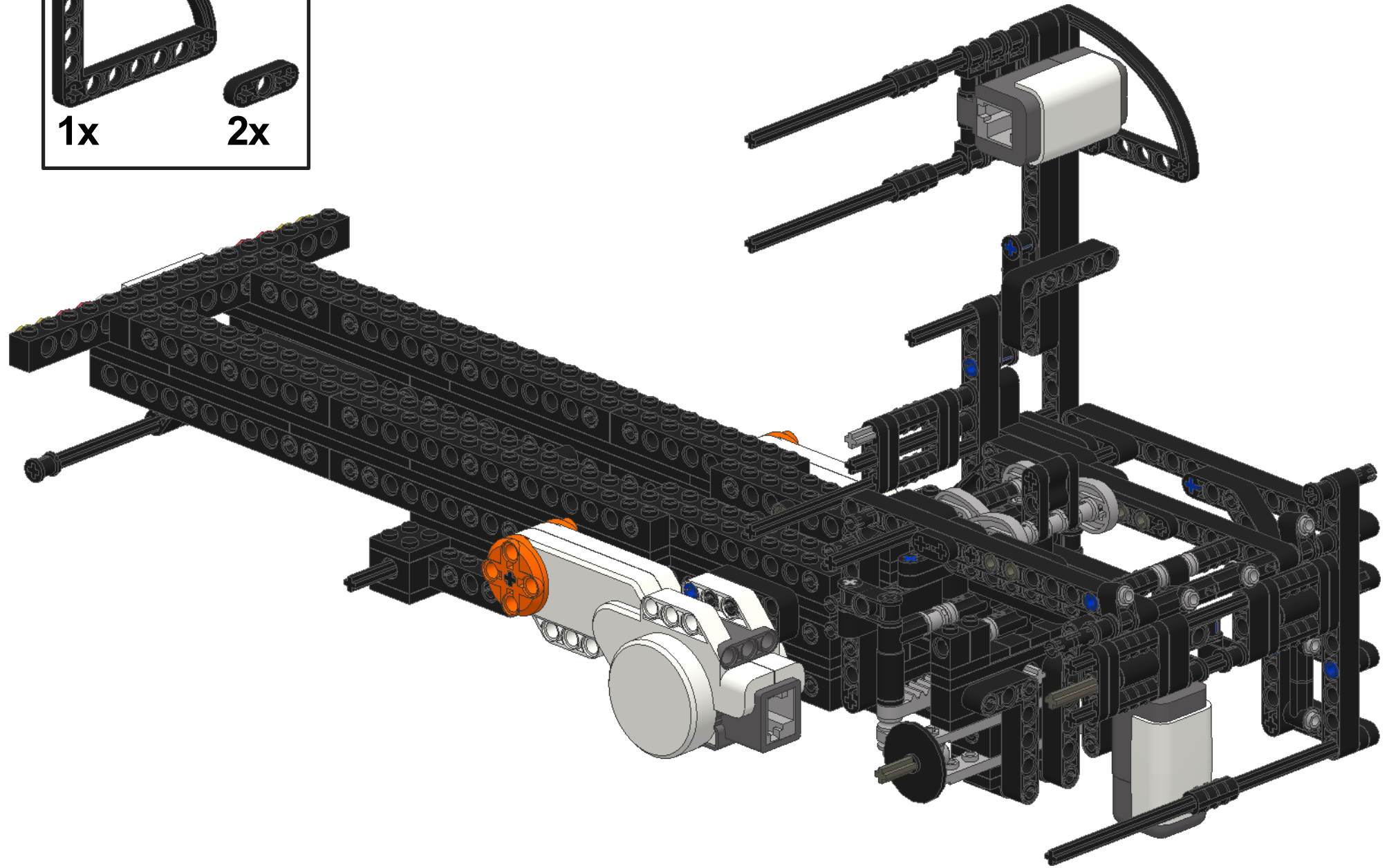
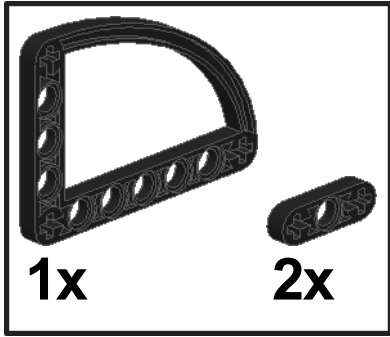


68

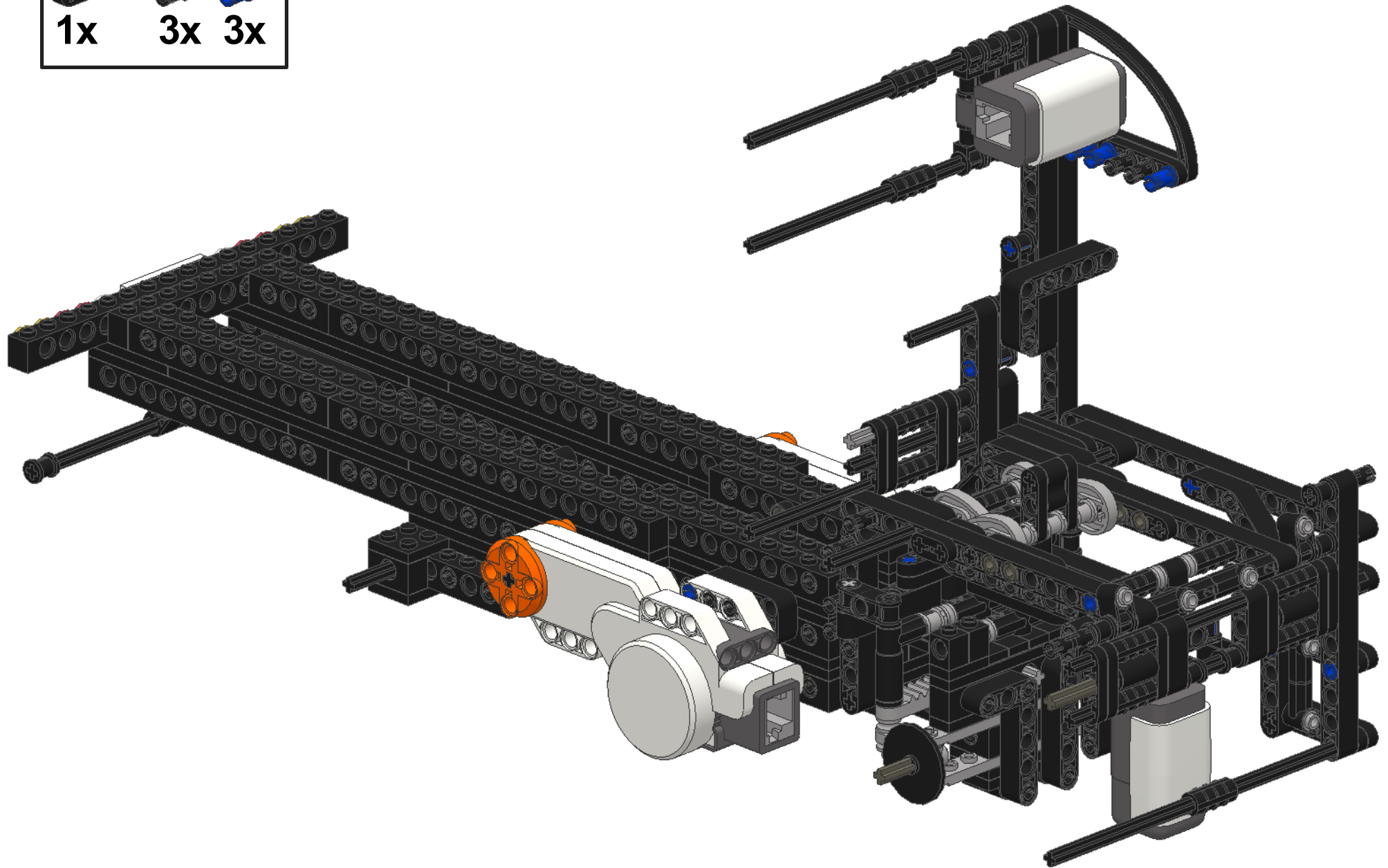
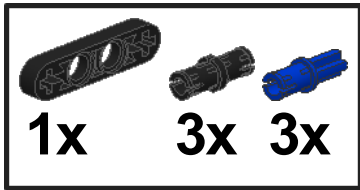


64

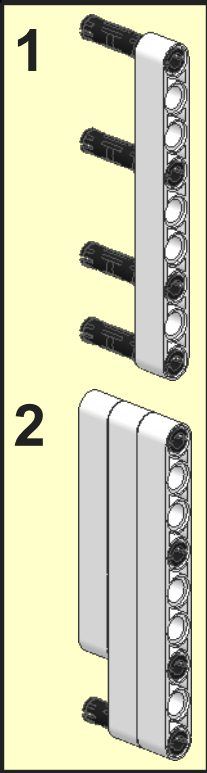
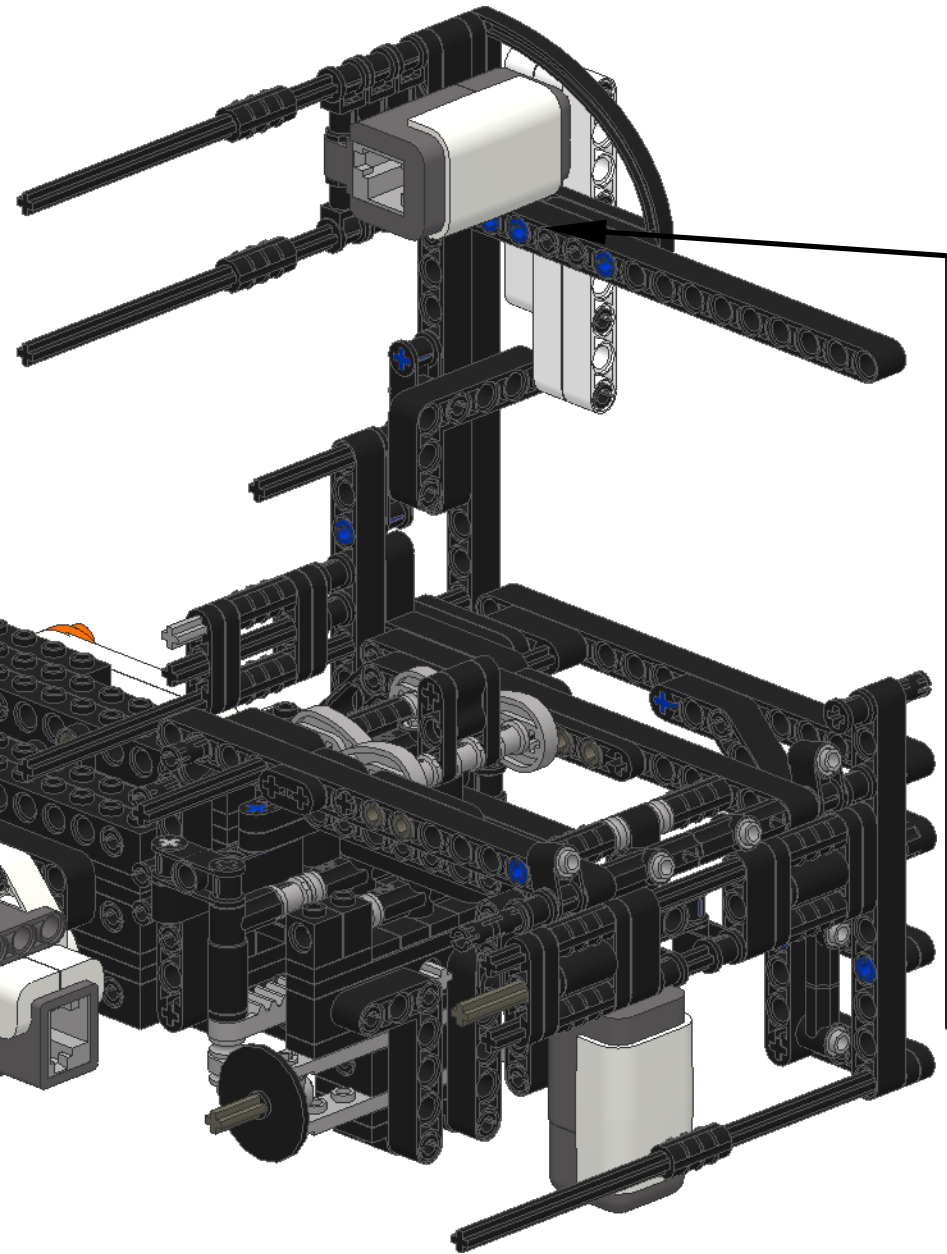
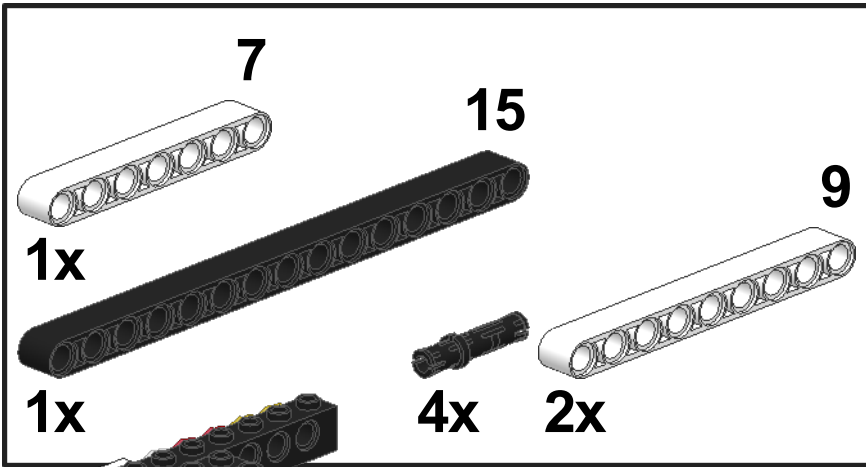
69



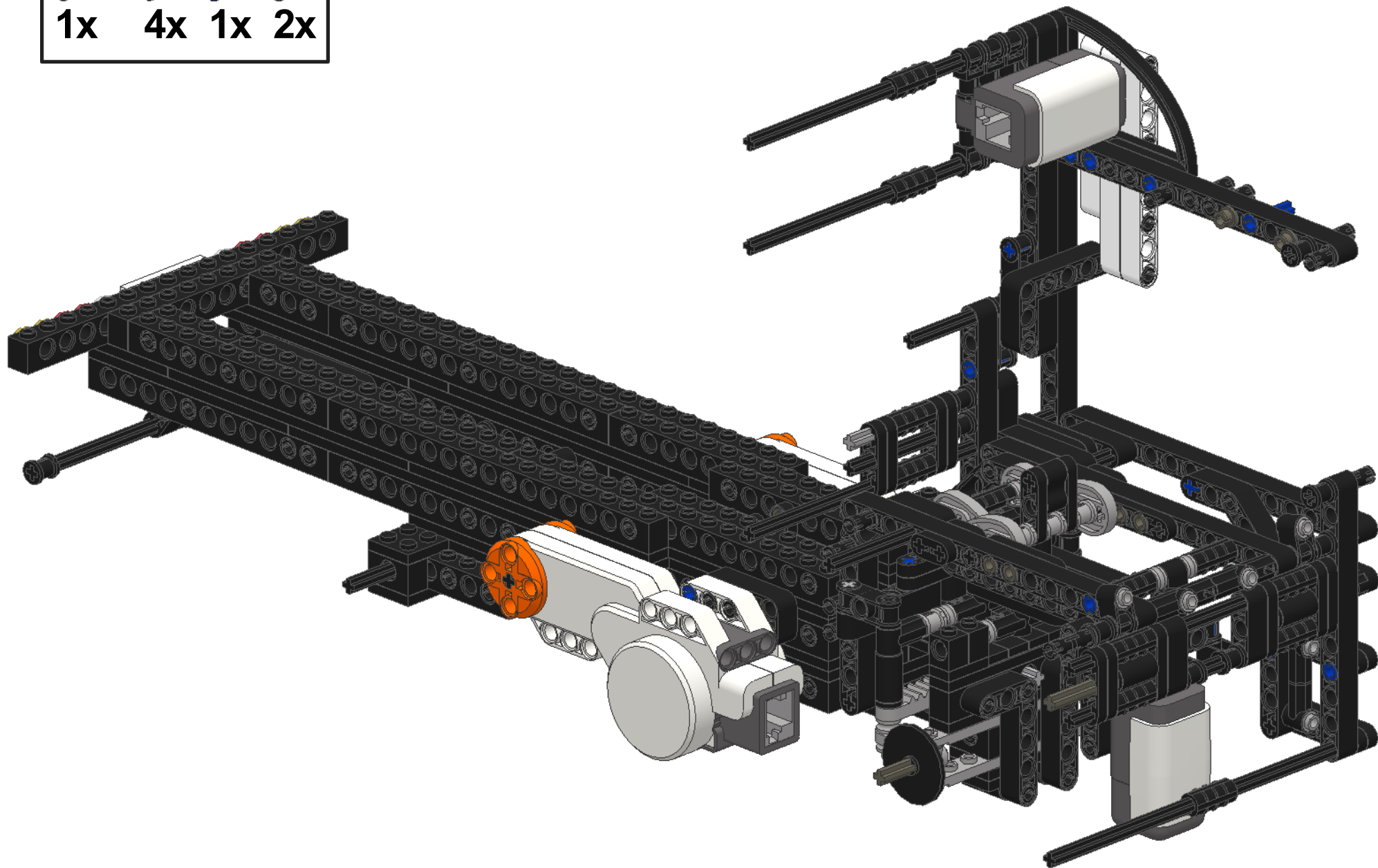
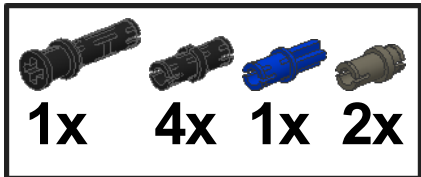
70



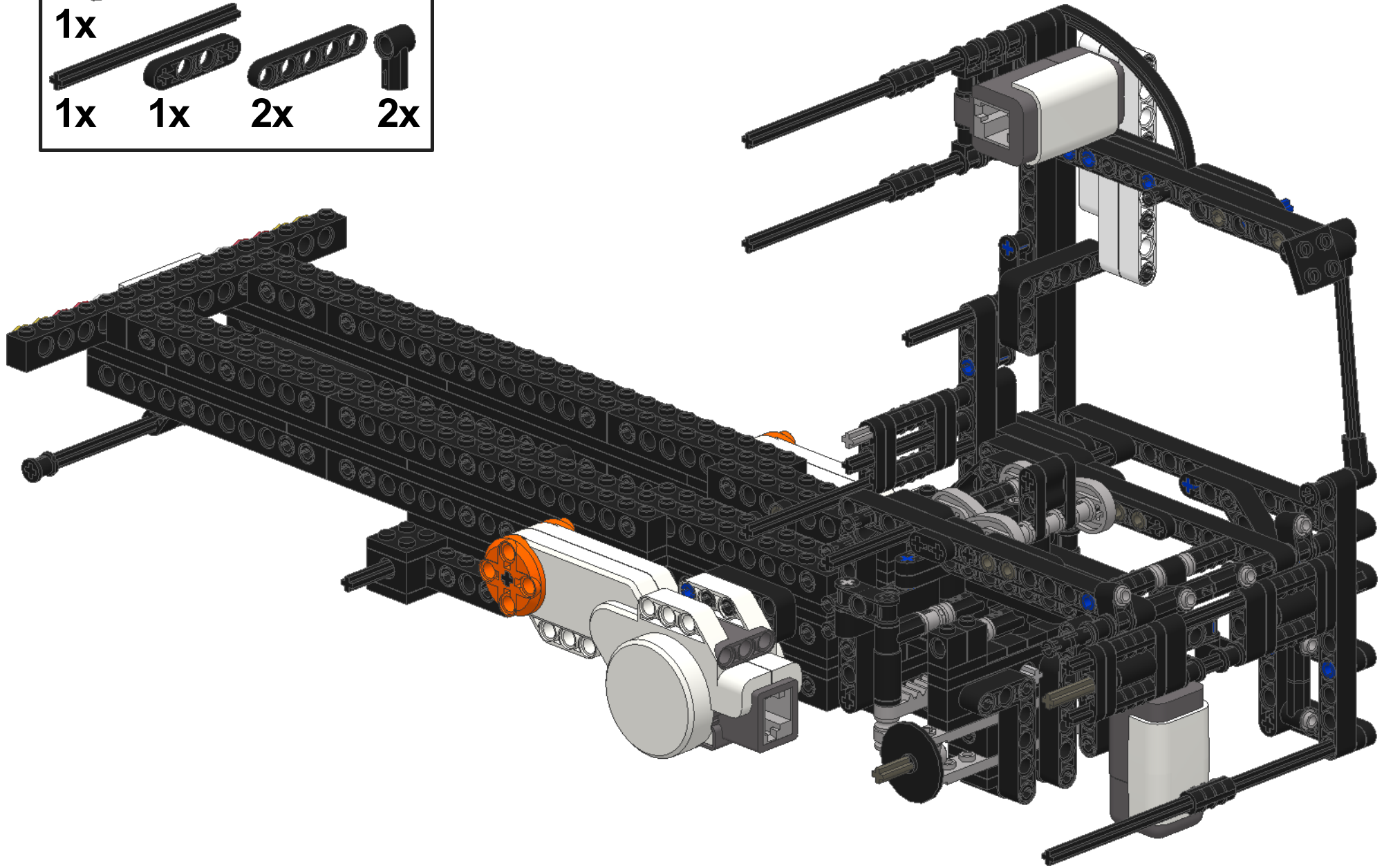
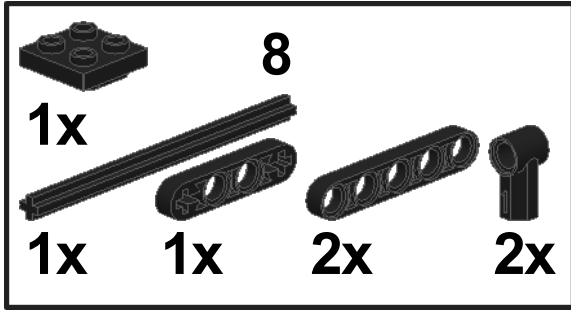
71



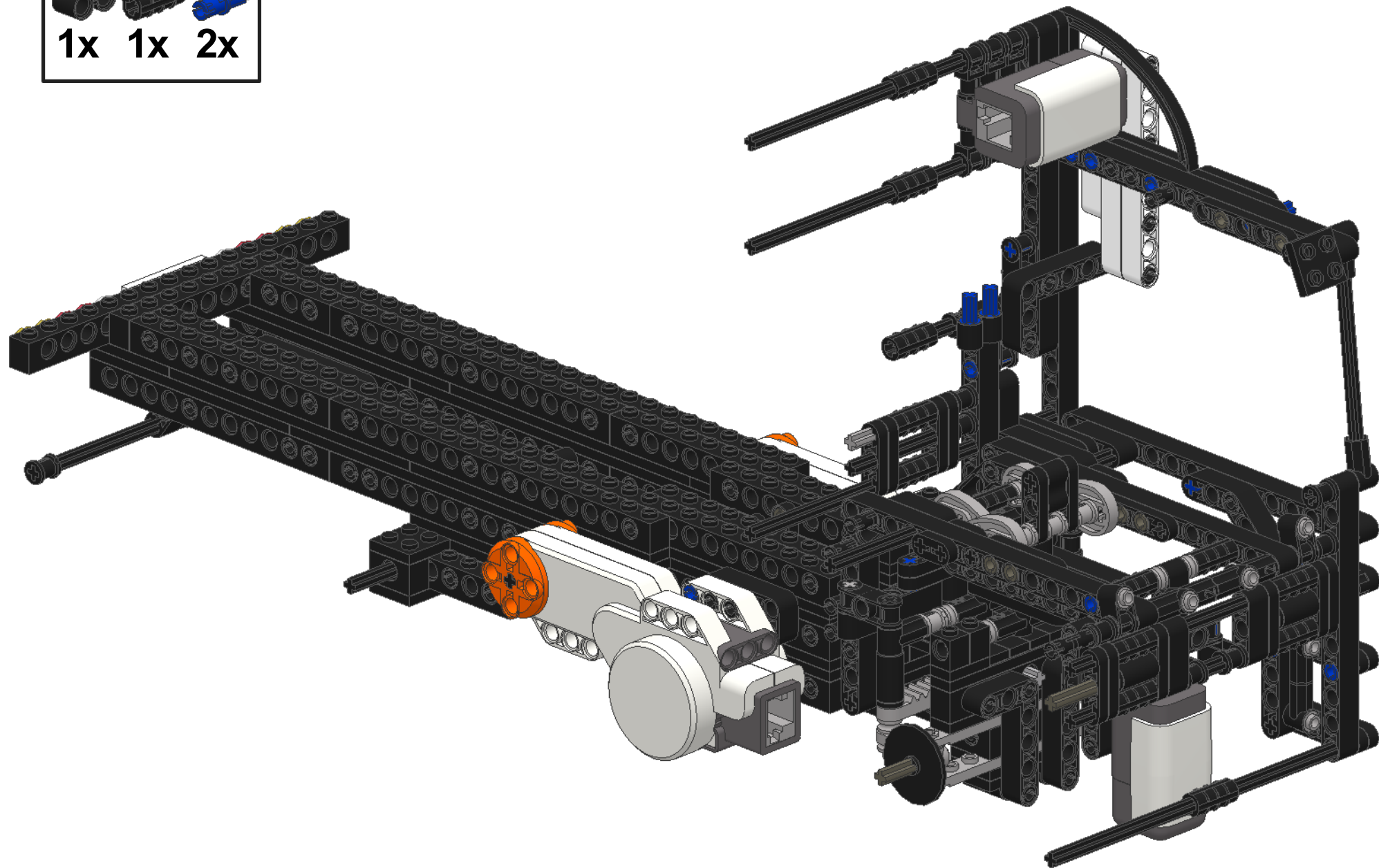
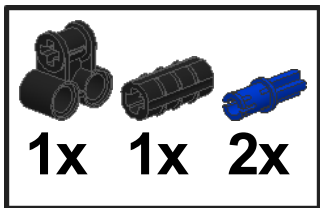
72



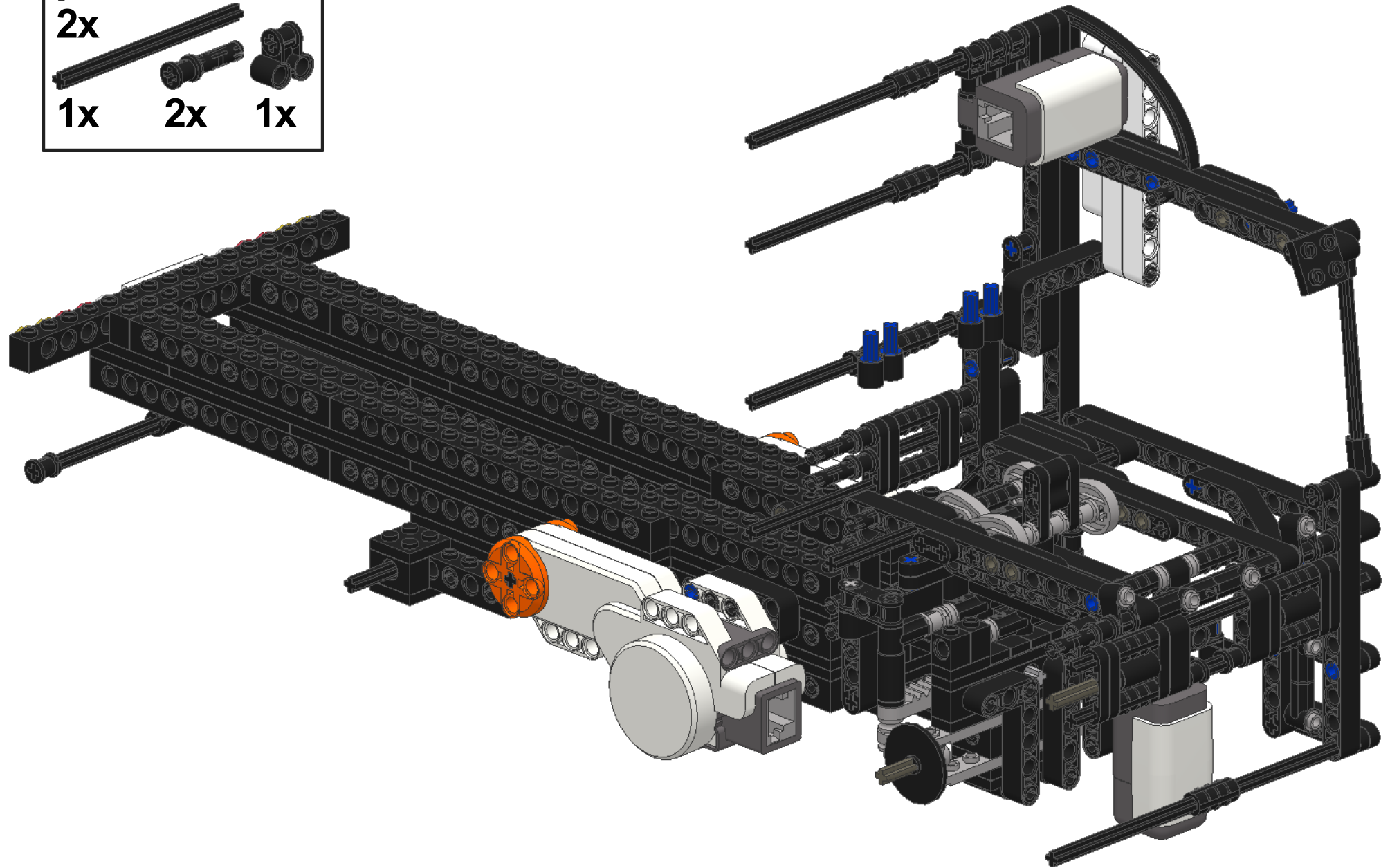
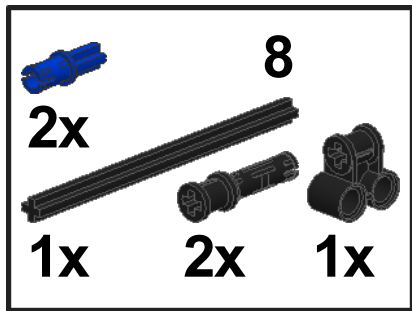
73



74

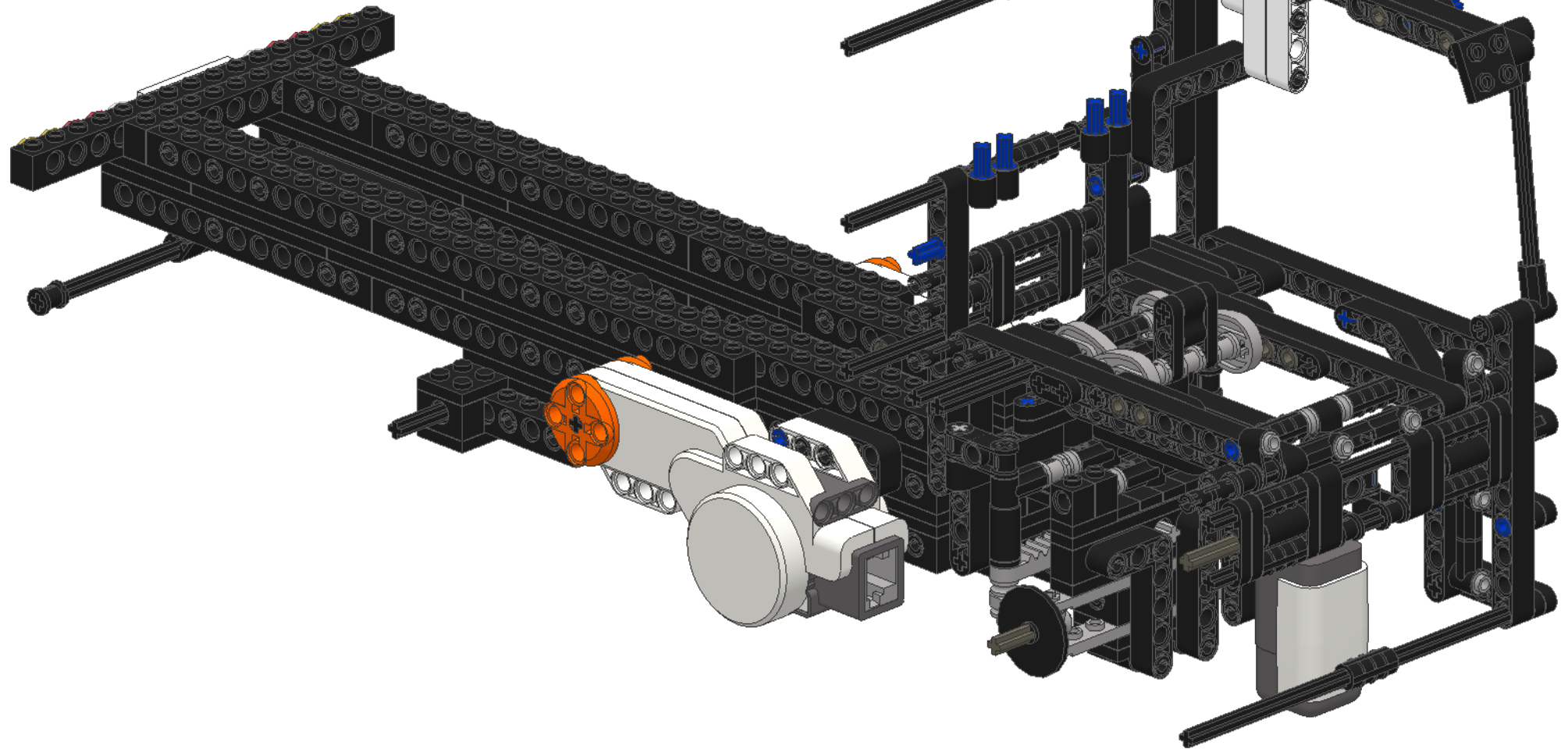
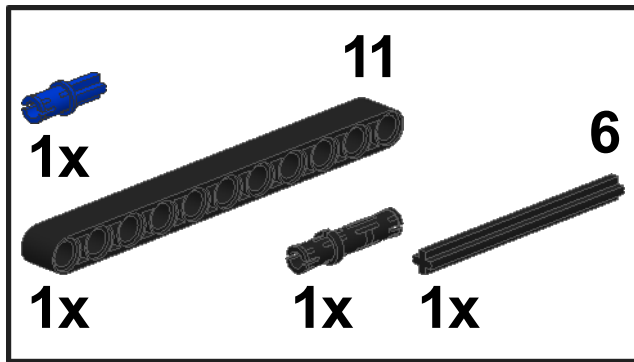


75



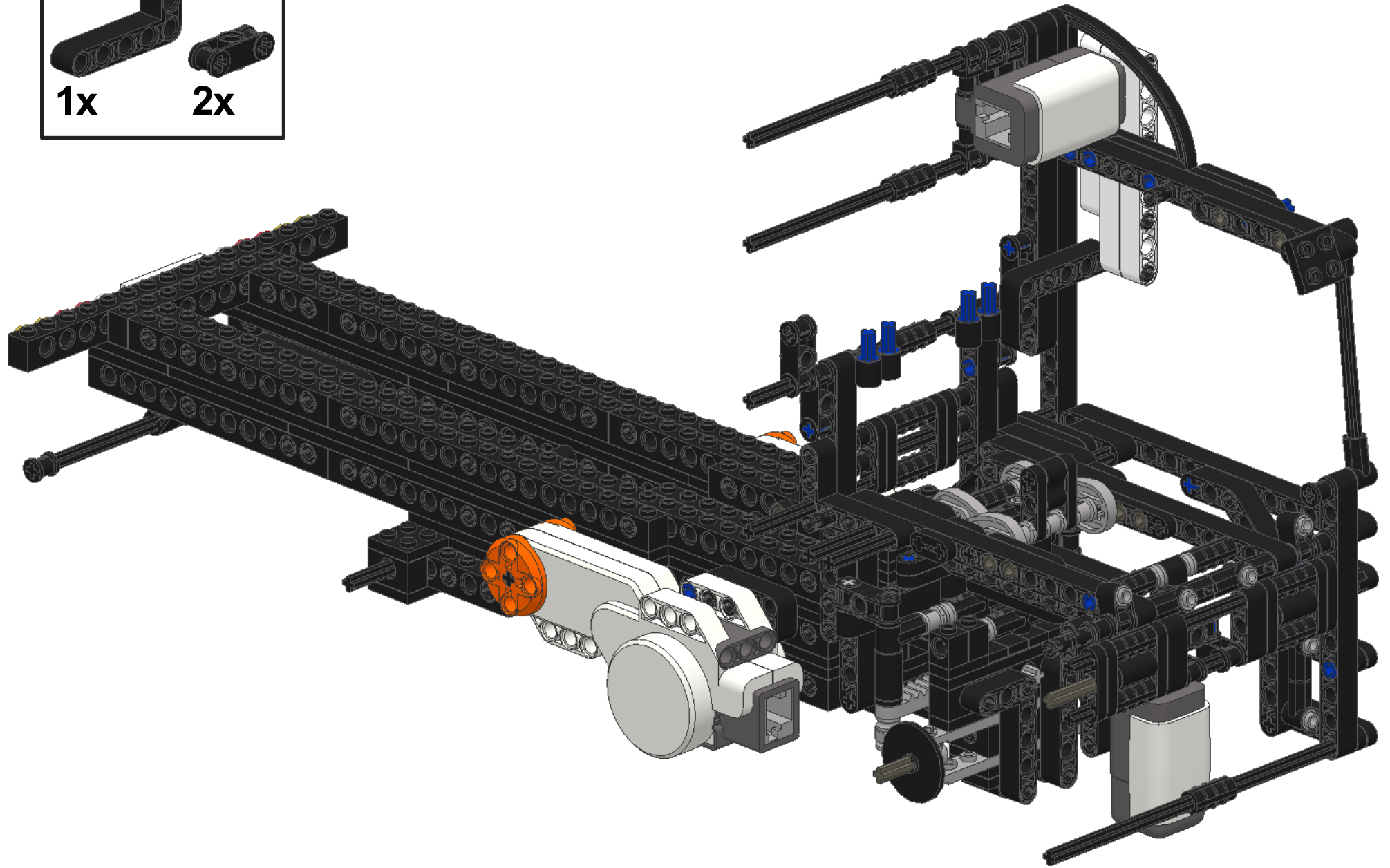
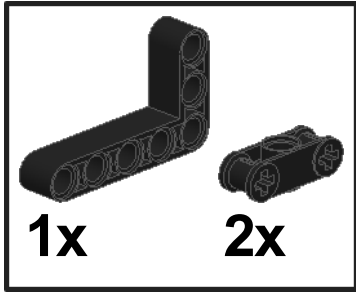
71

76



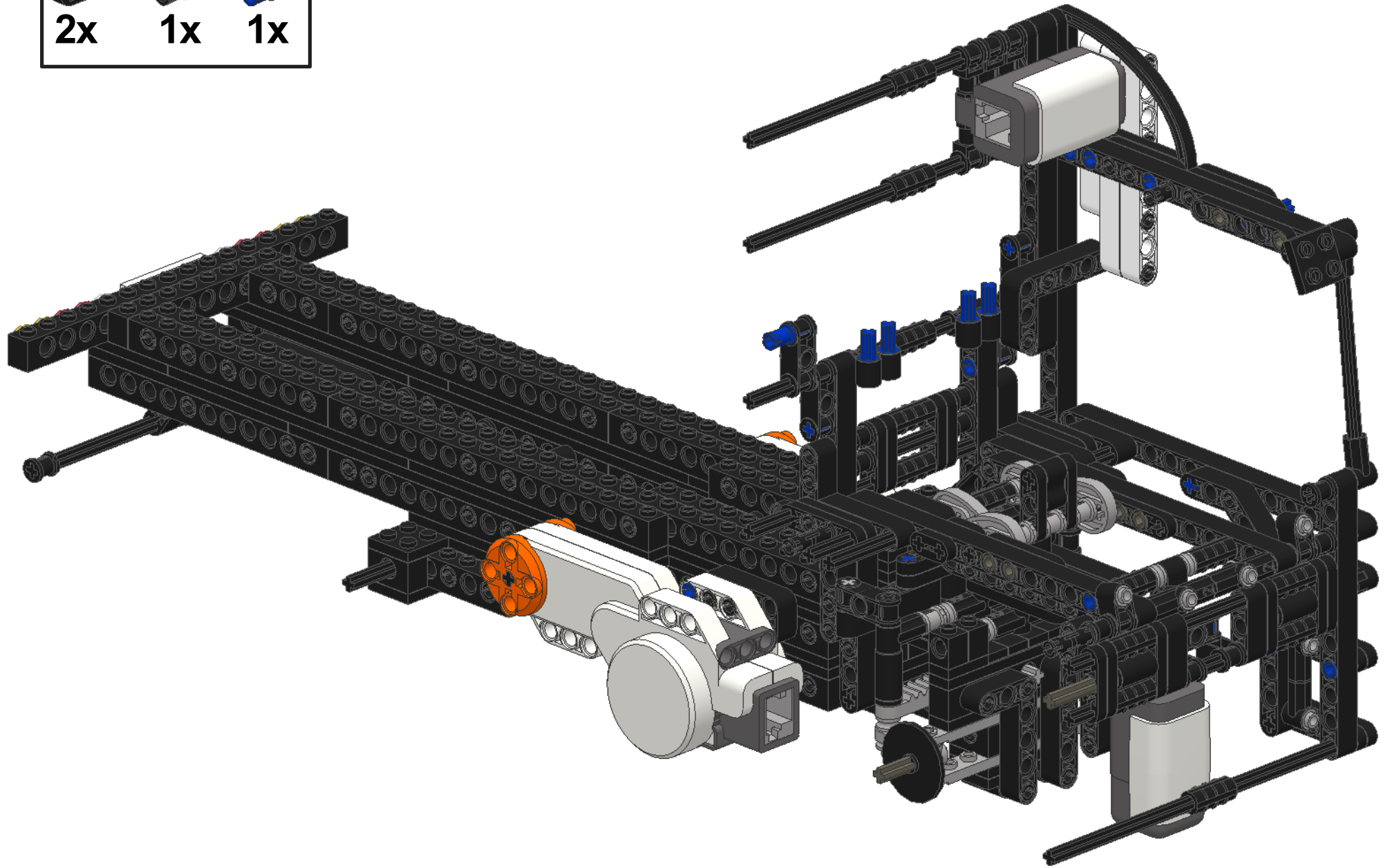
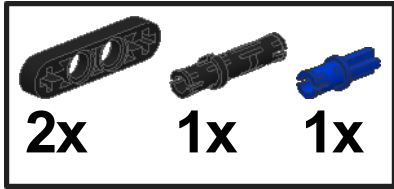
72

77

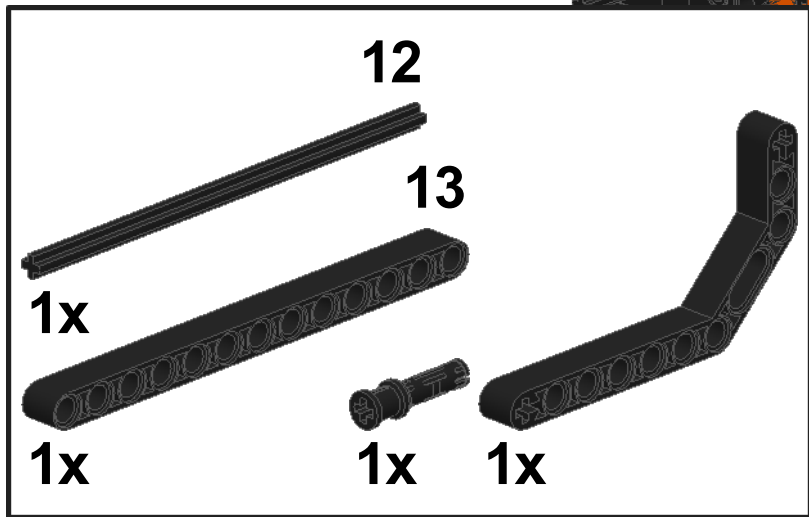
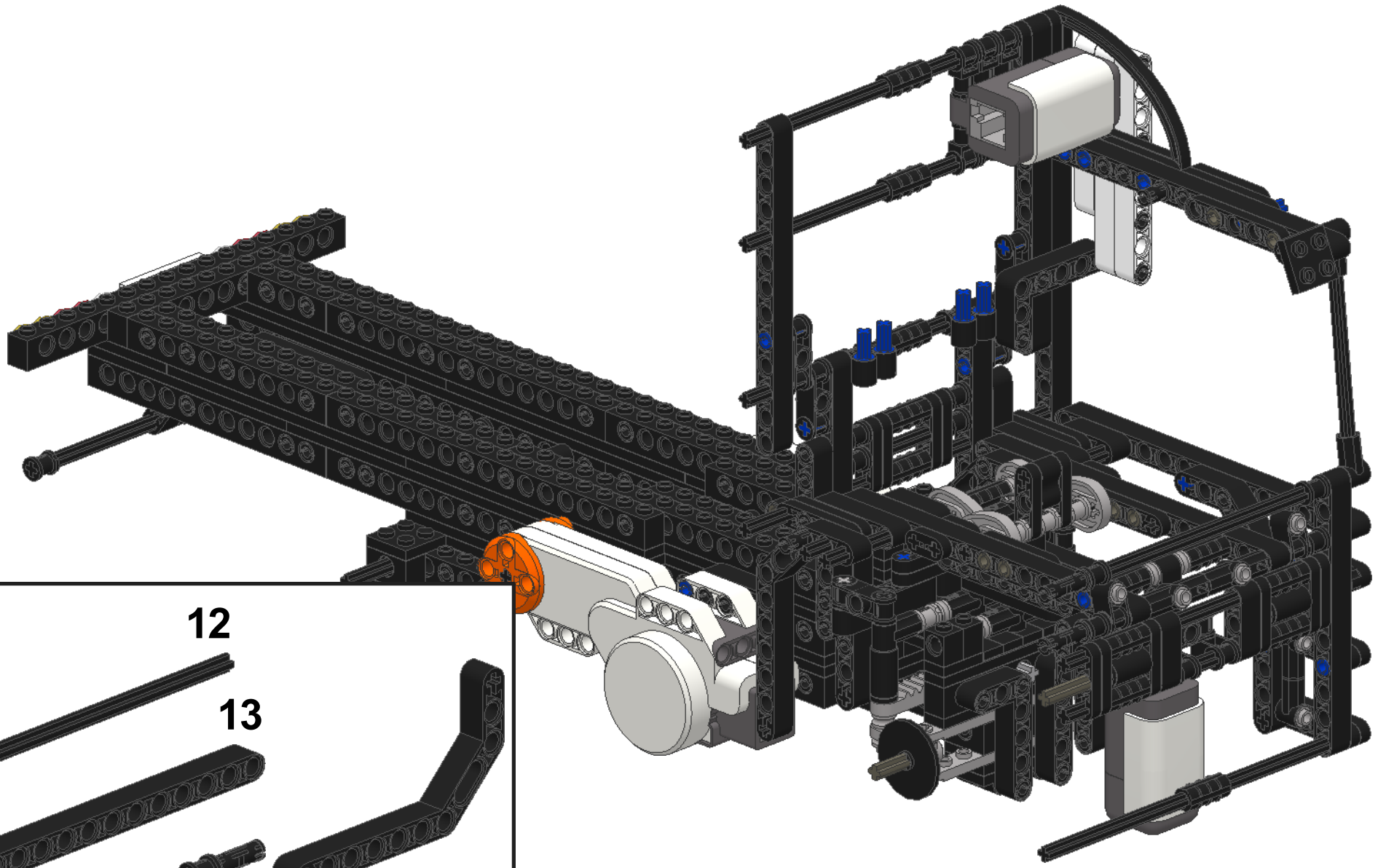


73

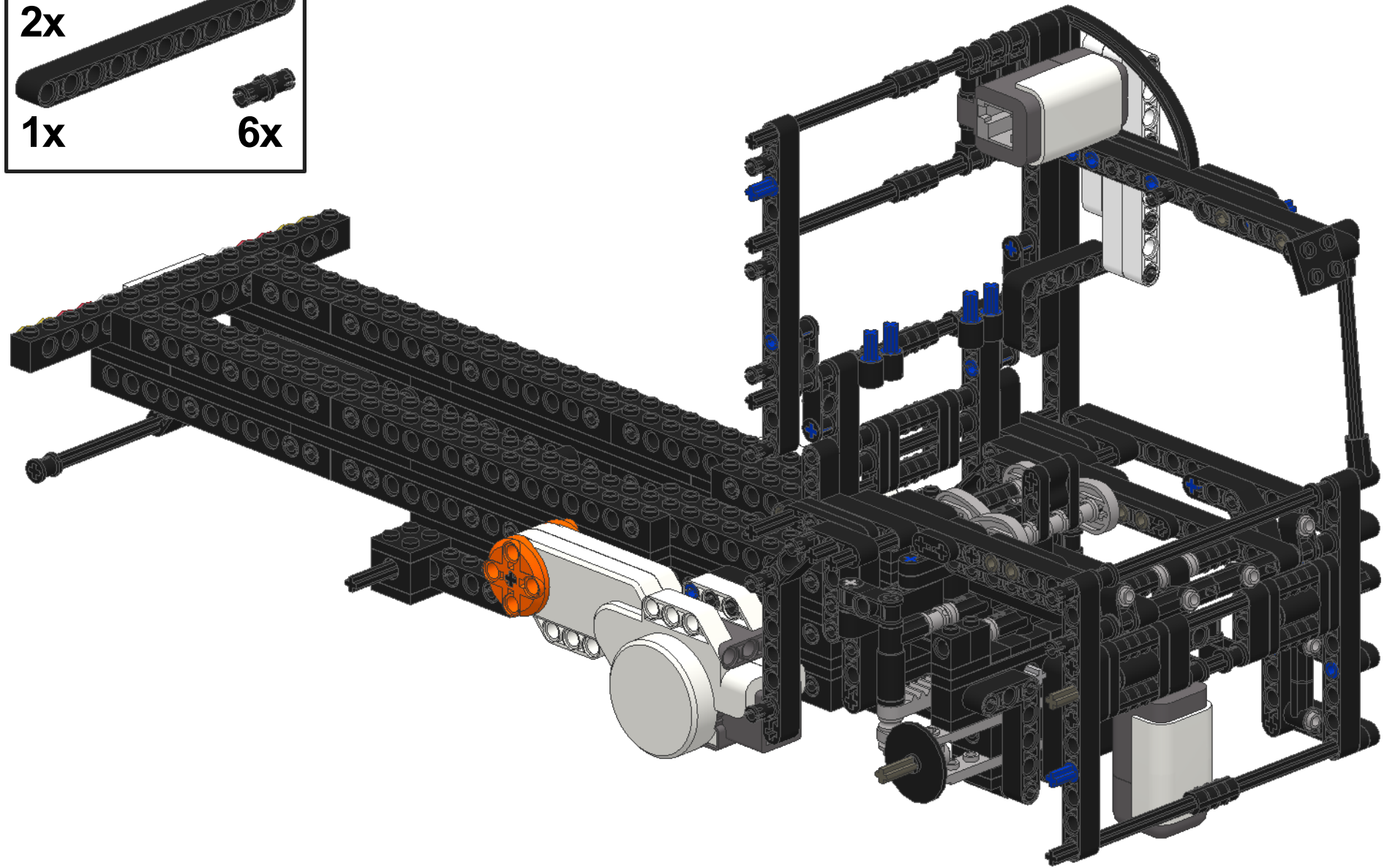
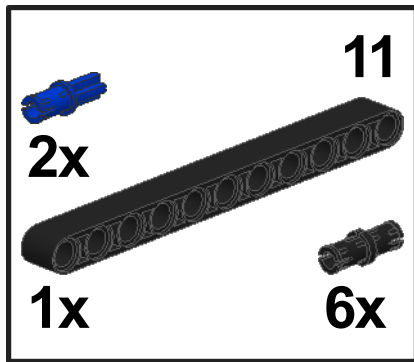
78



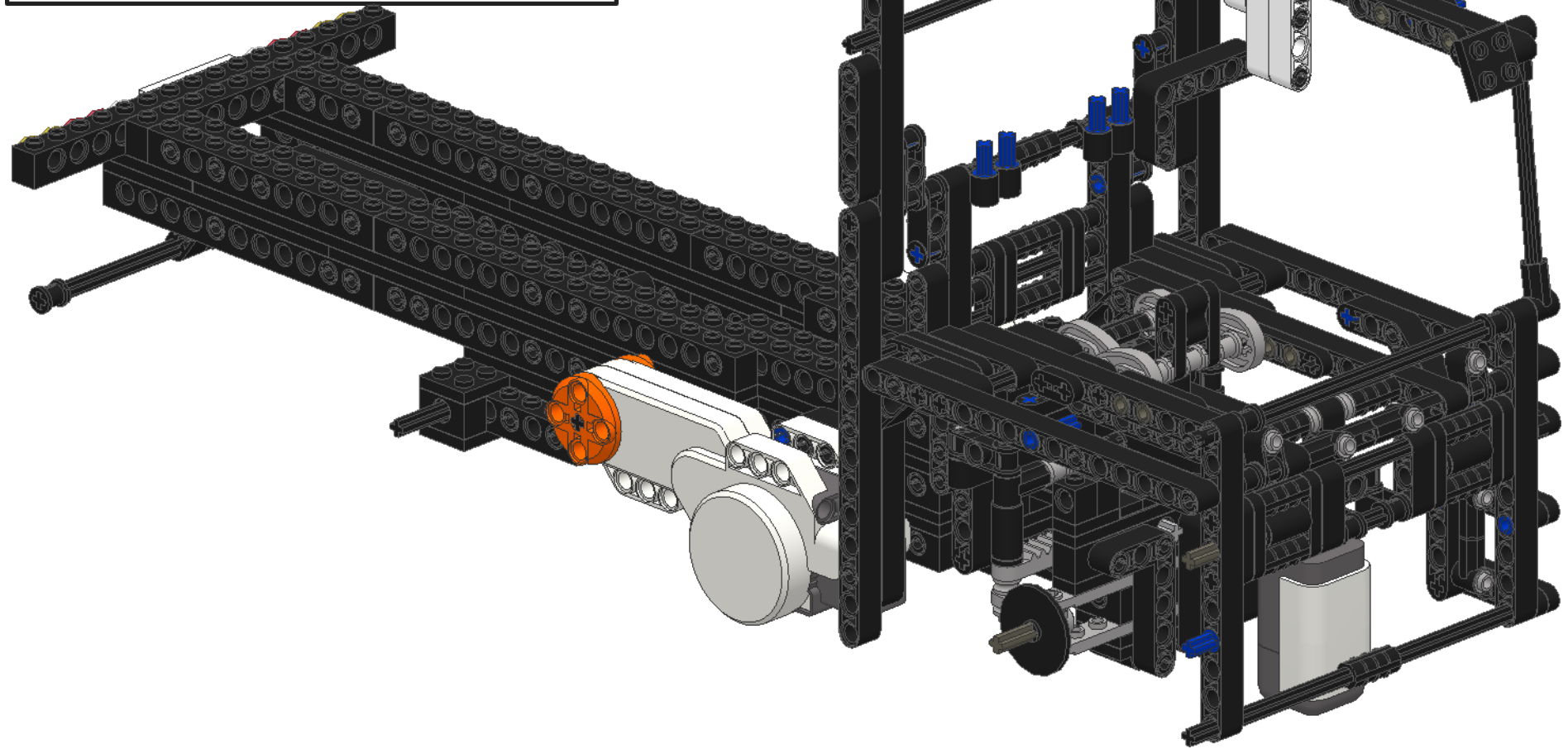
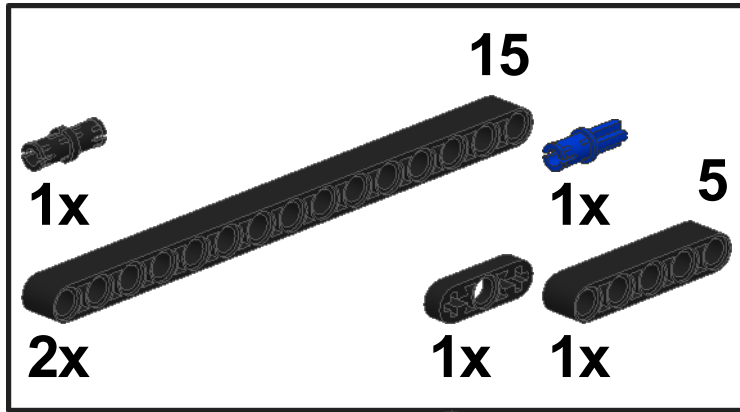
74



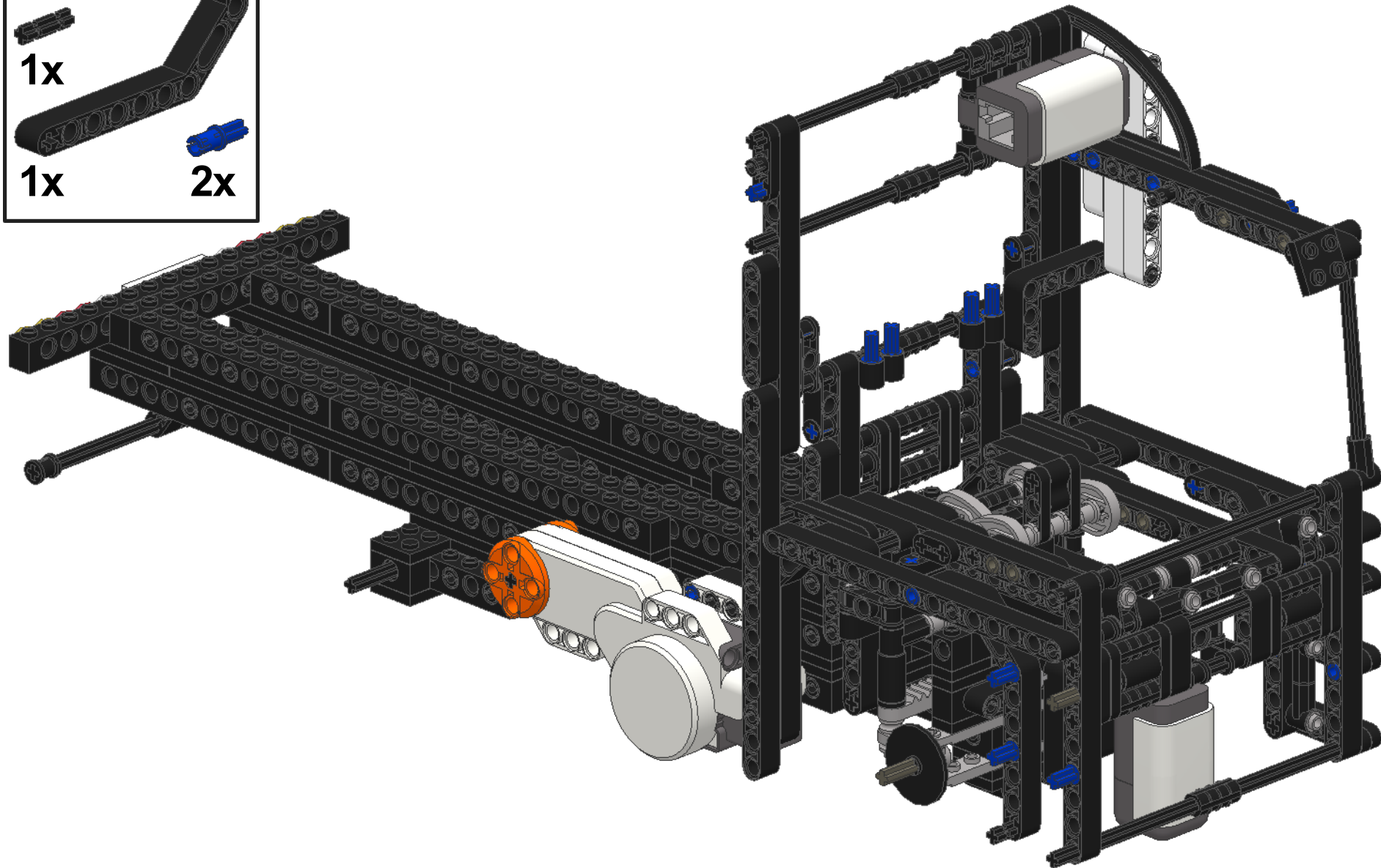
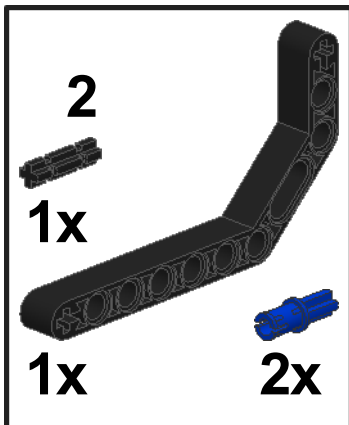
80



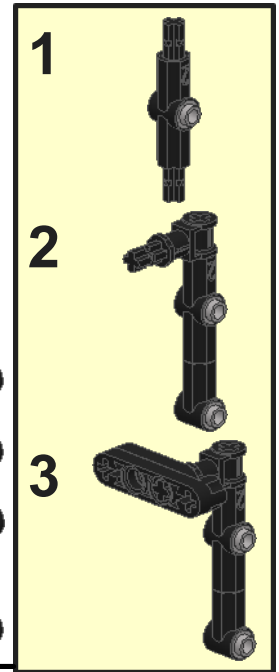
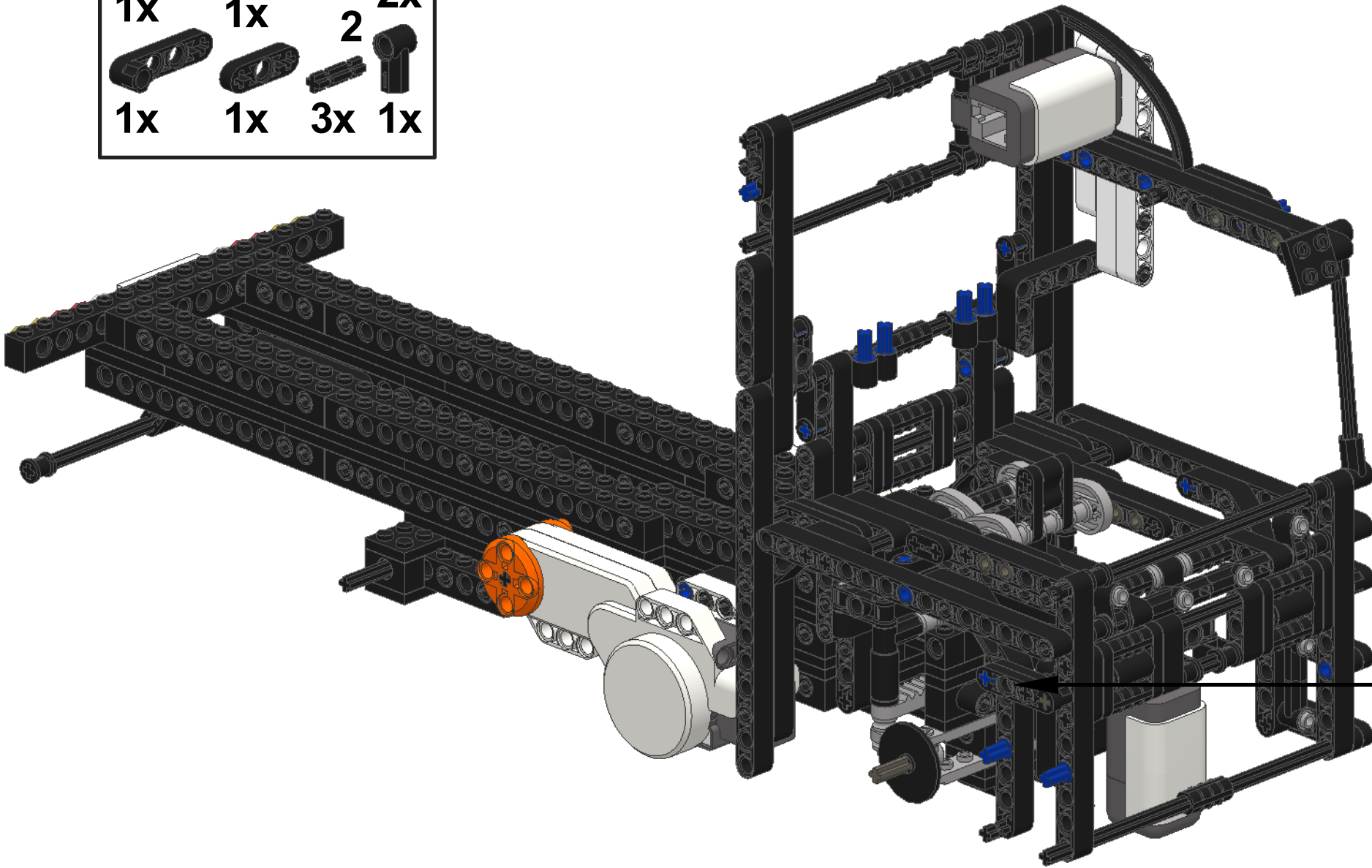
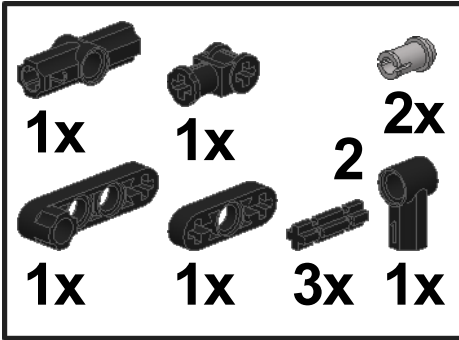
81



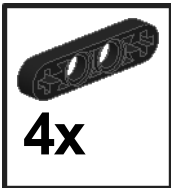
82



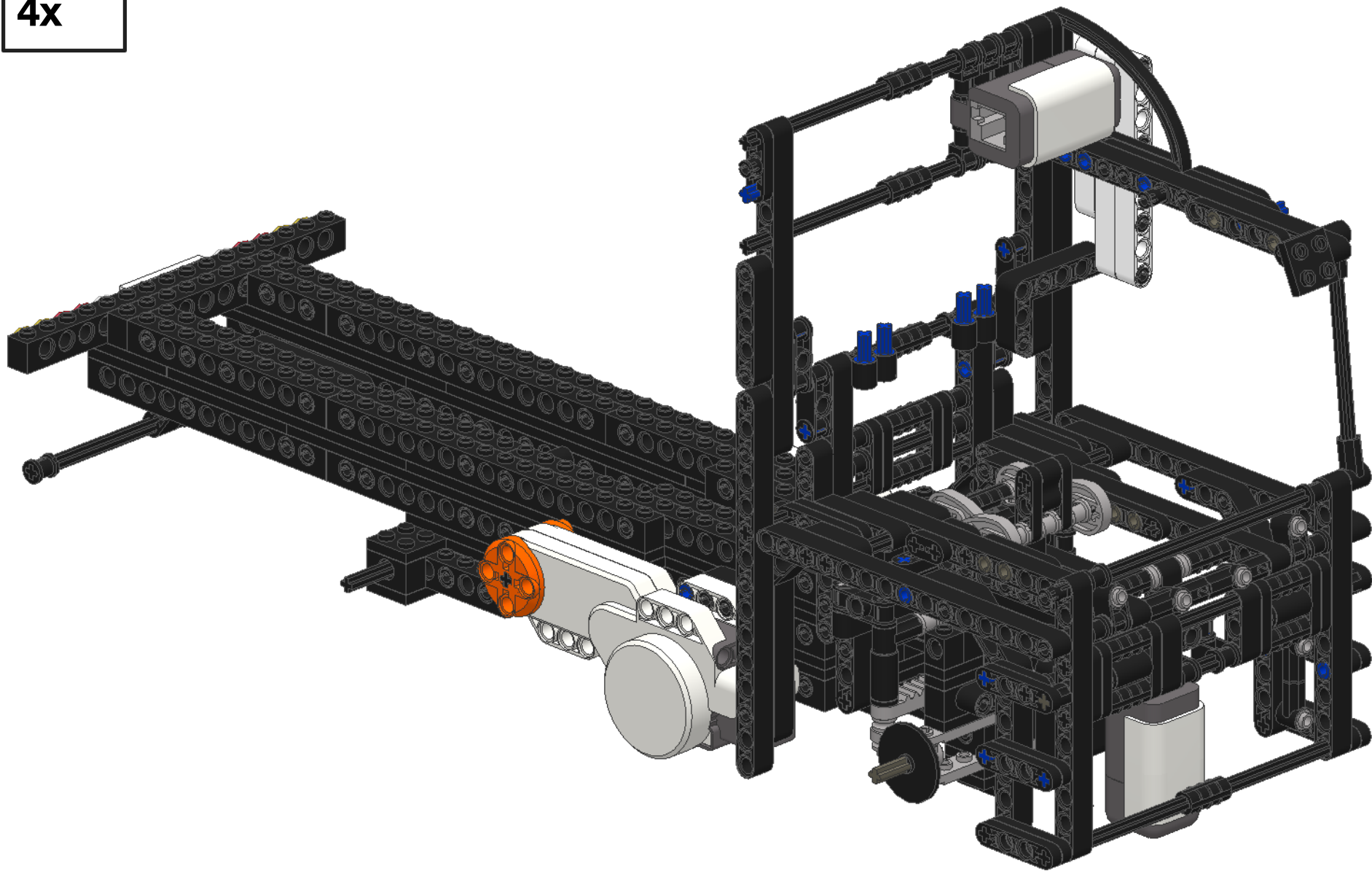
83



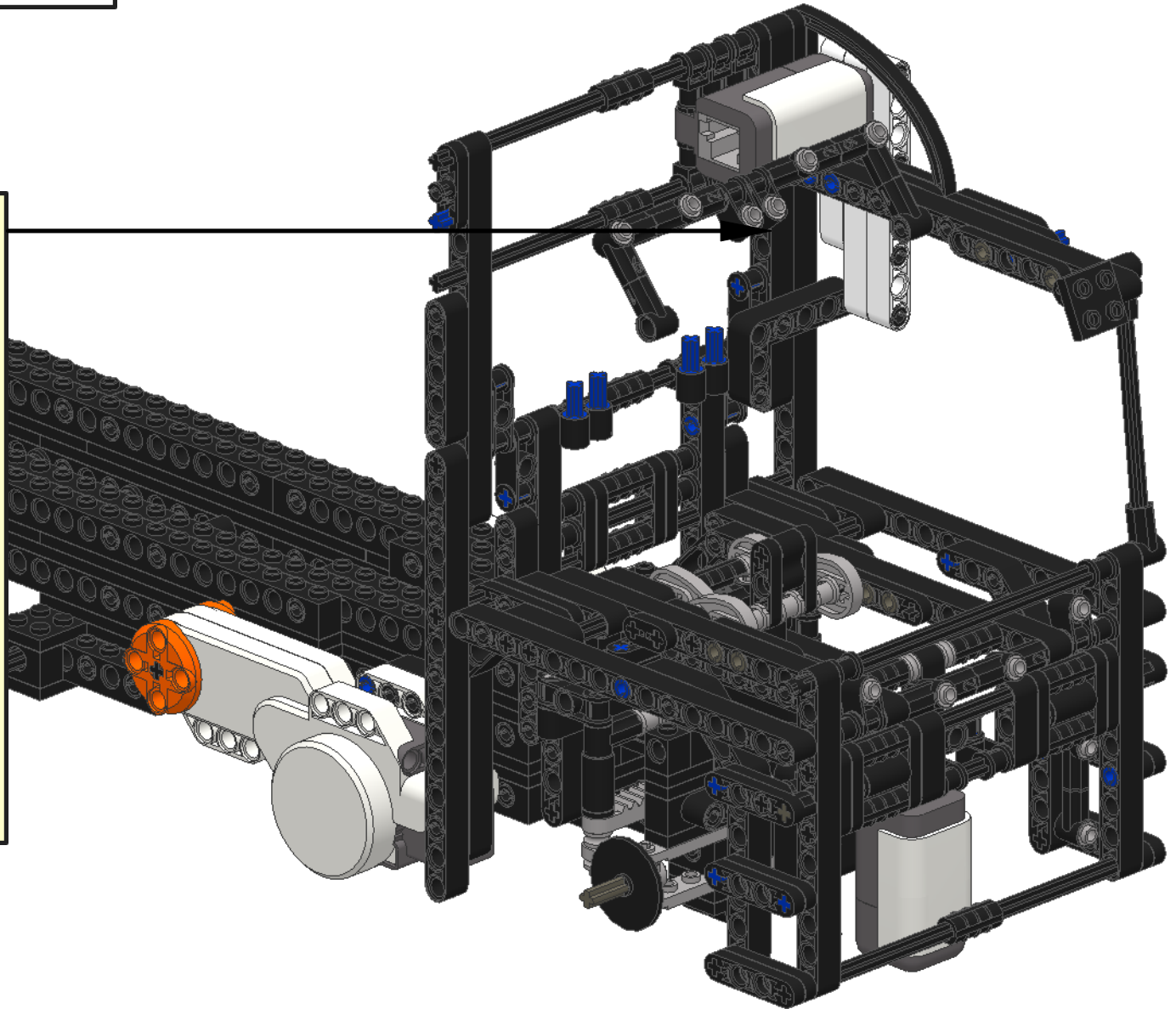
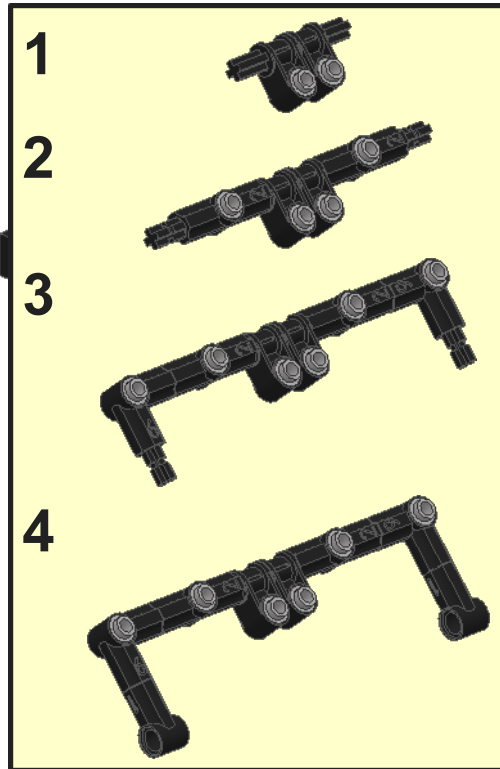
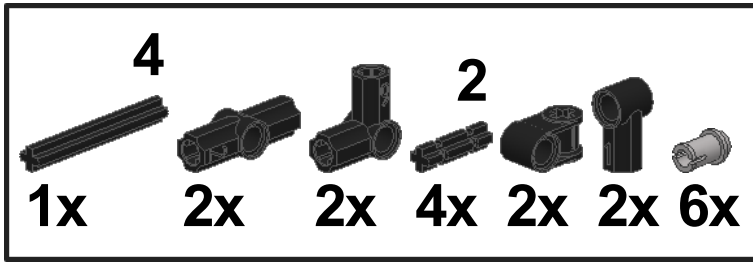
84



4x

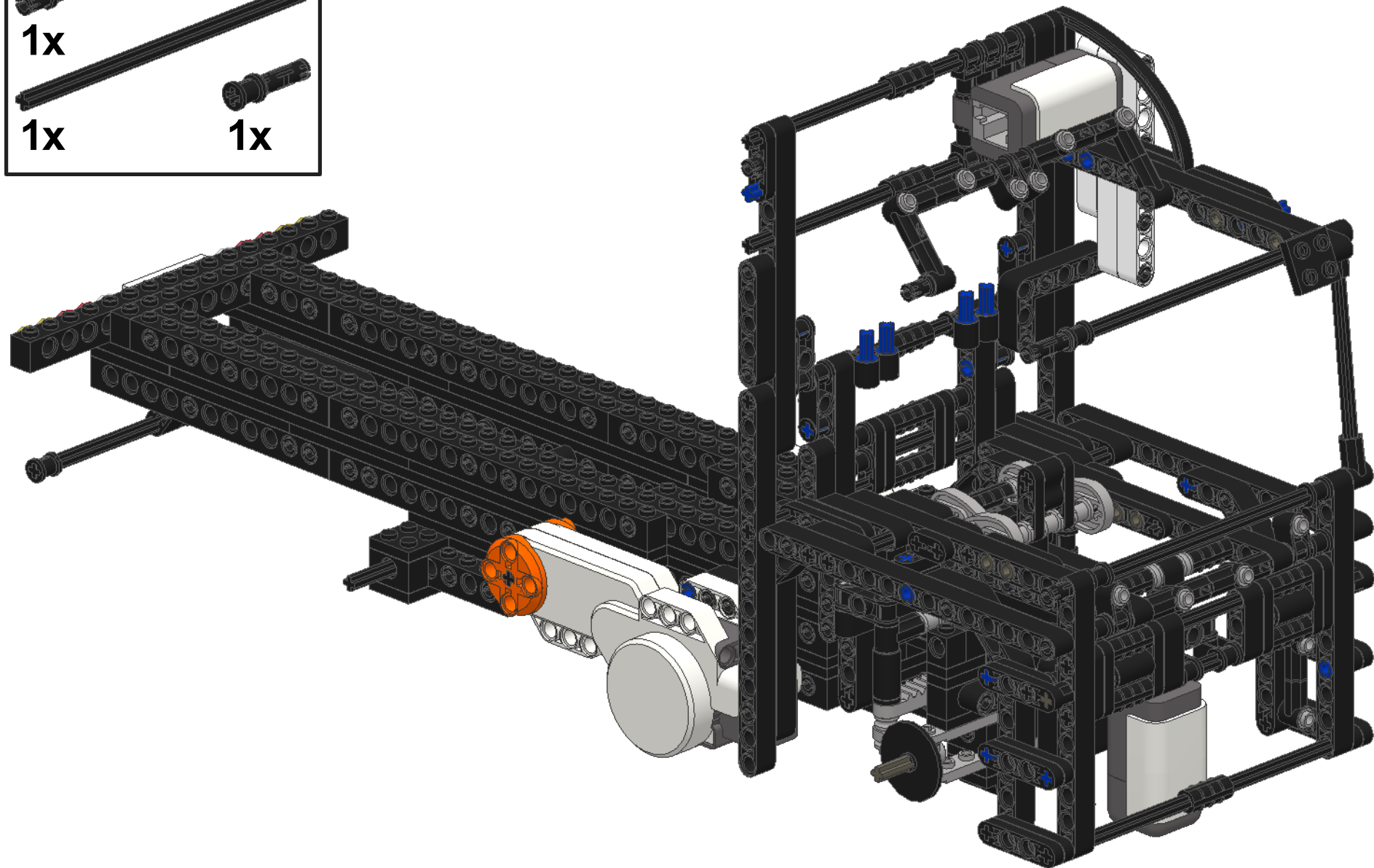
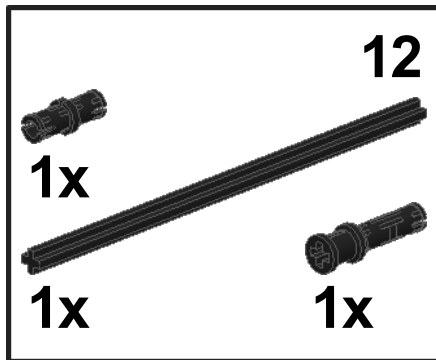


85

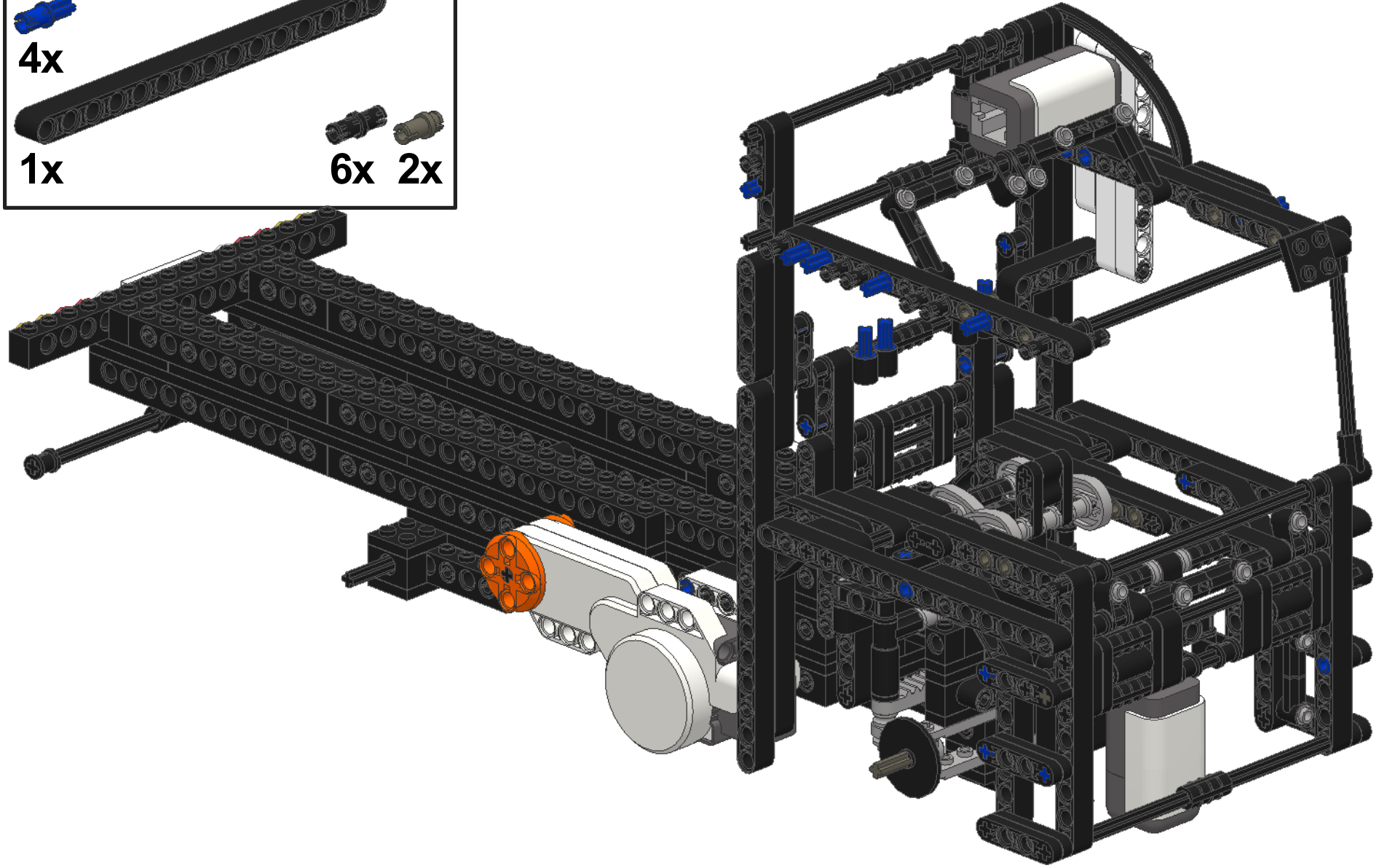
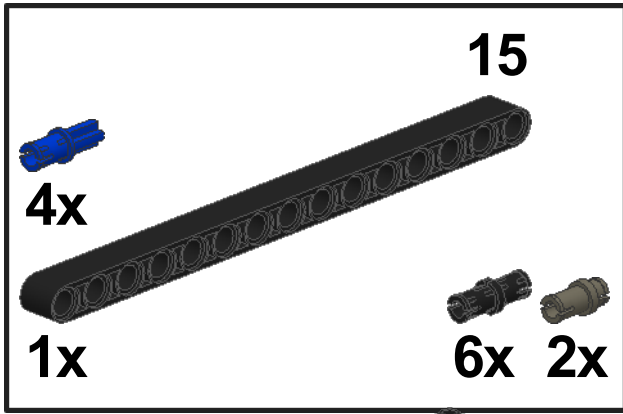


81

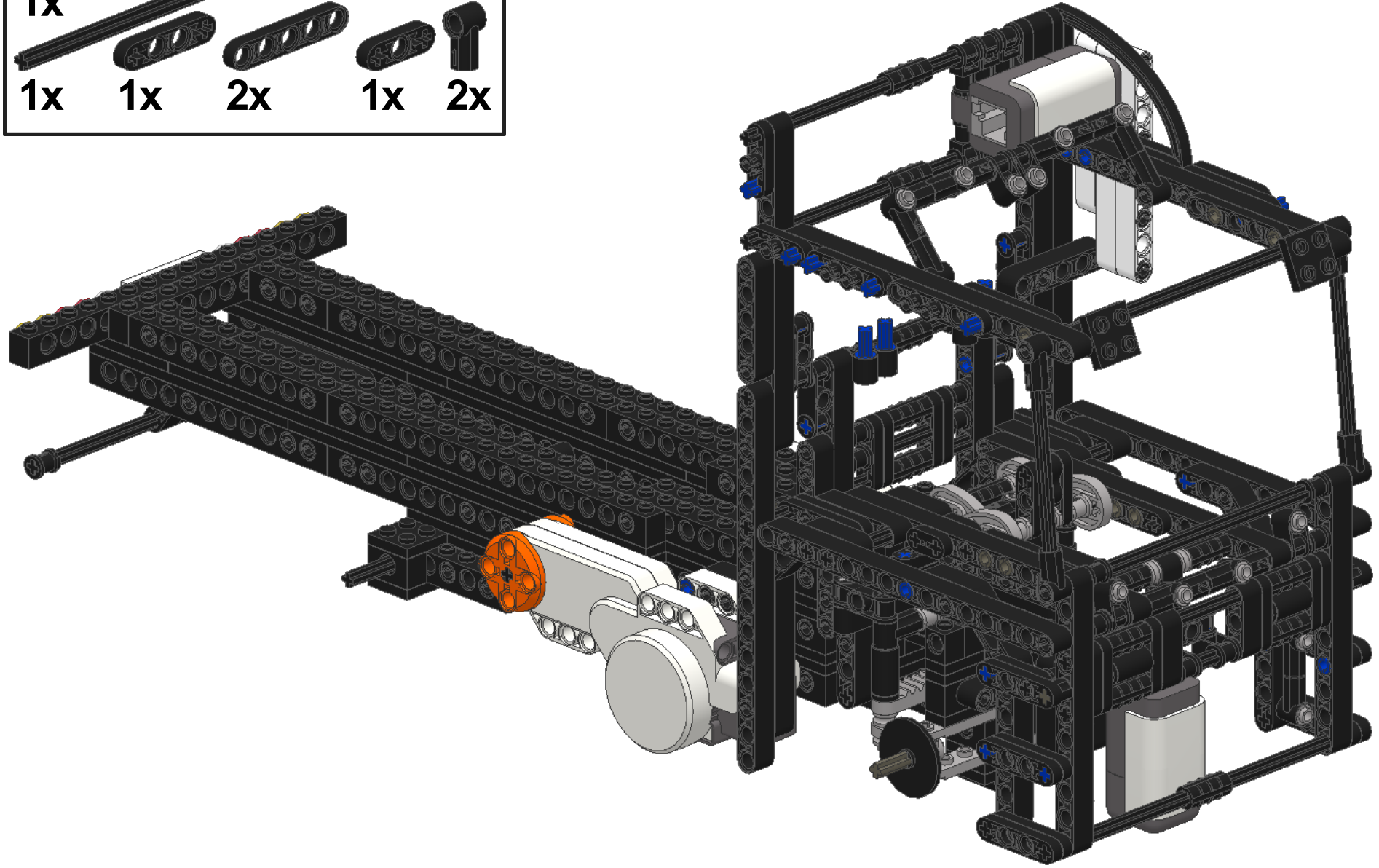
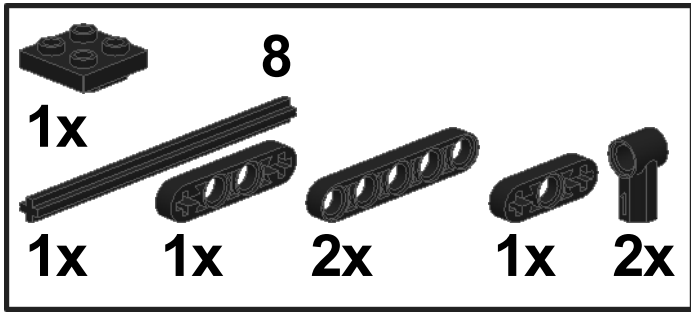
86



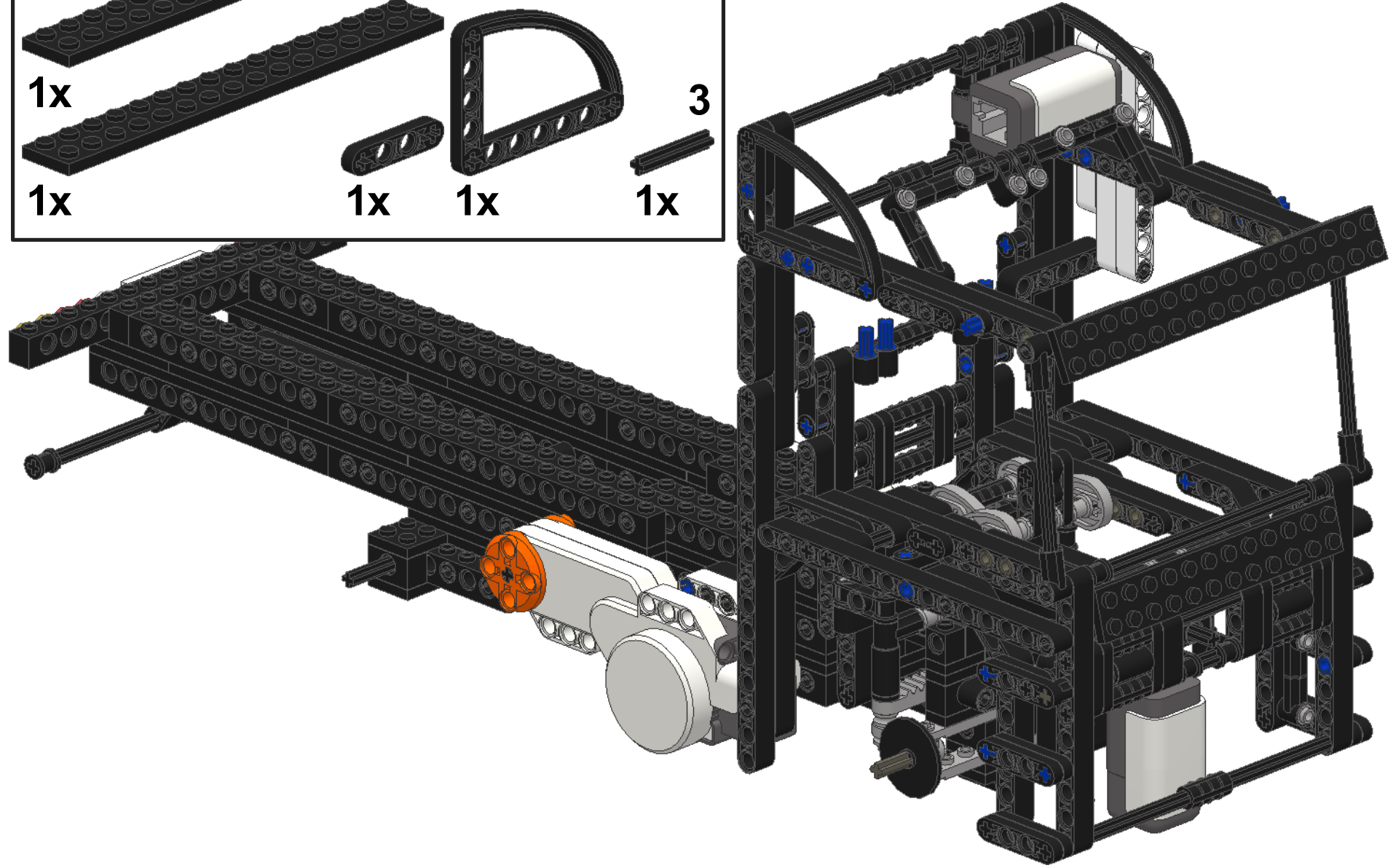
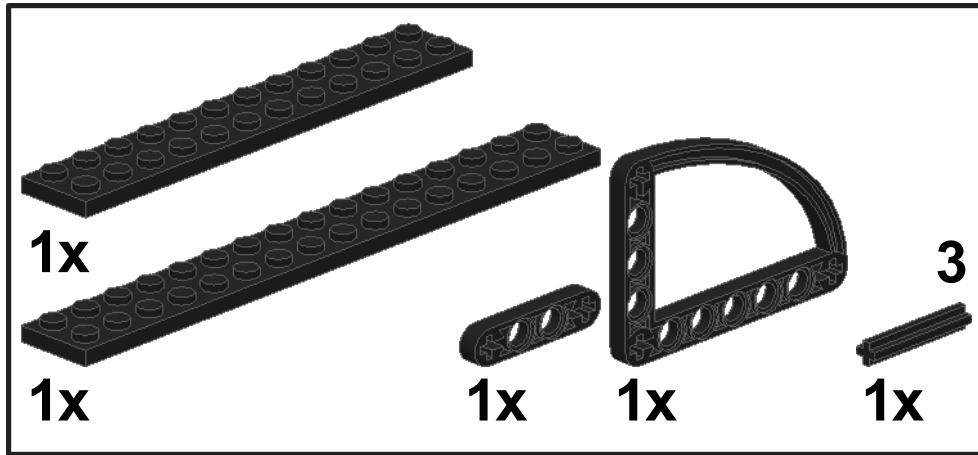
87



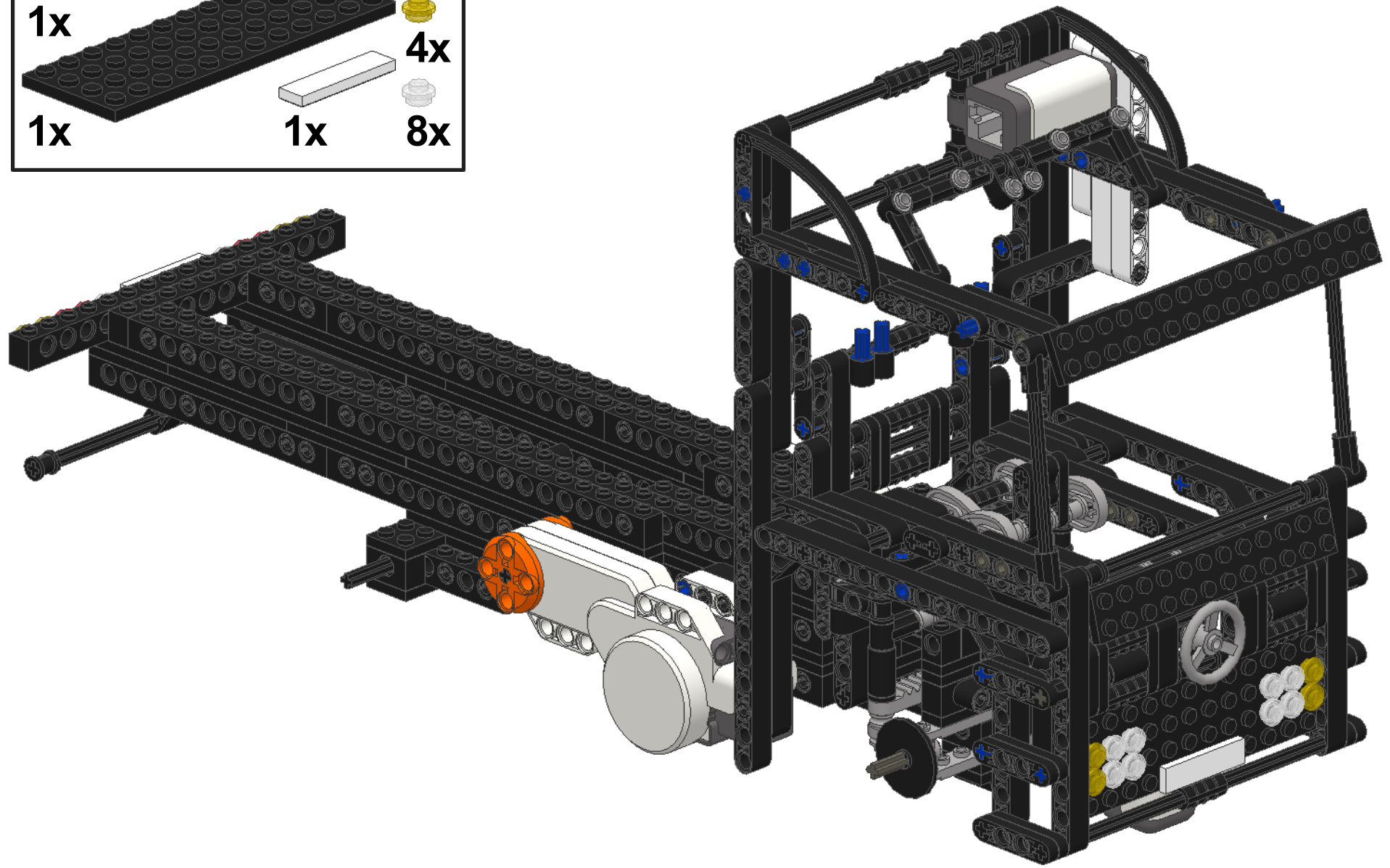
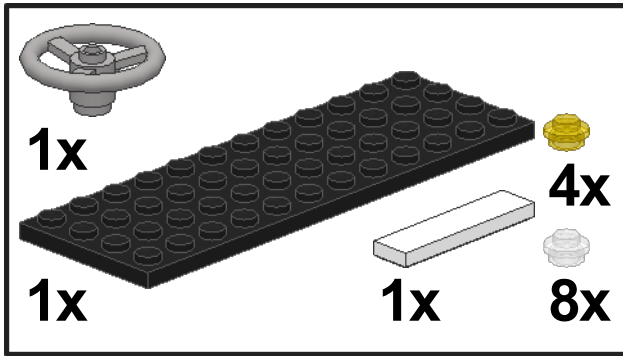
88

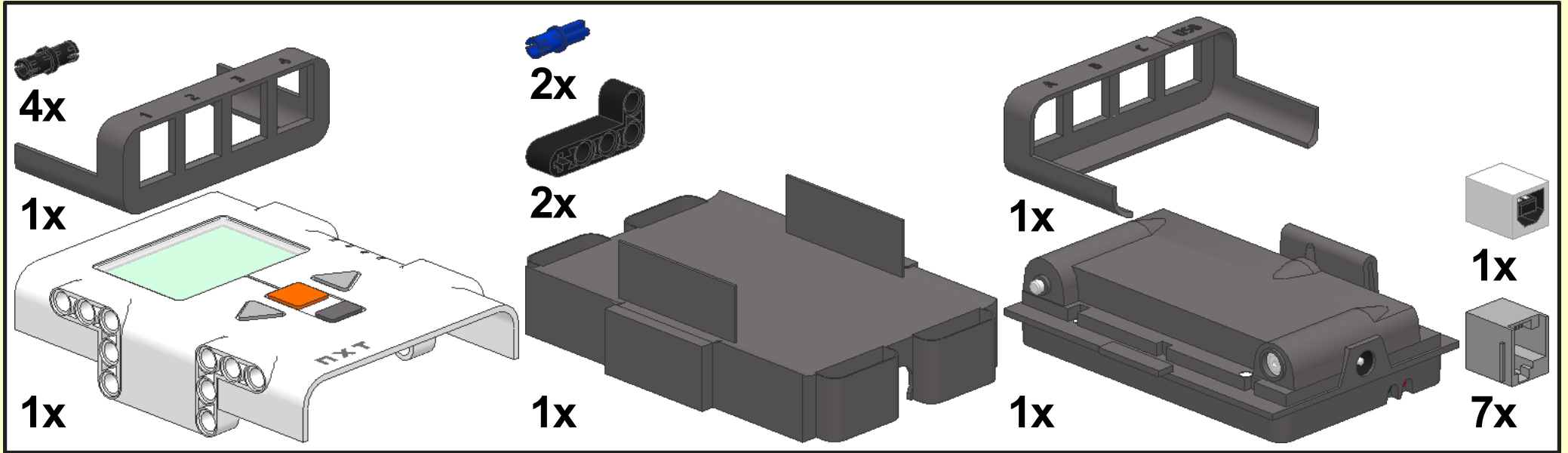


89

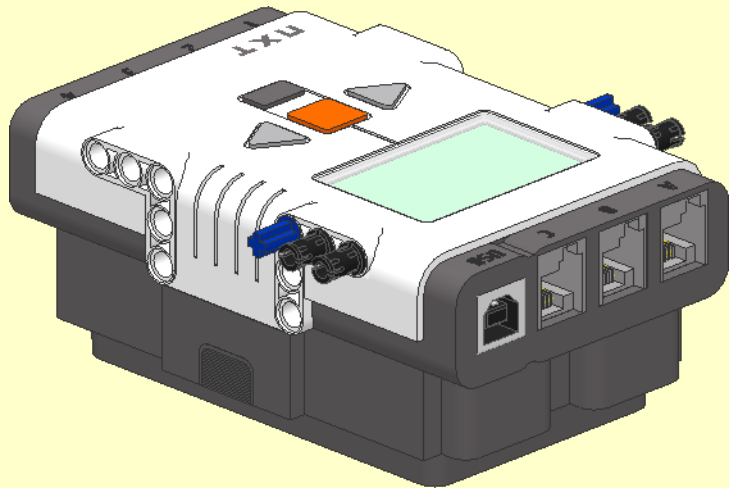


90

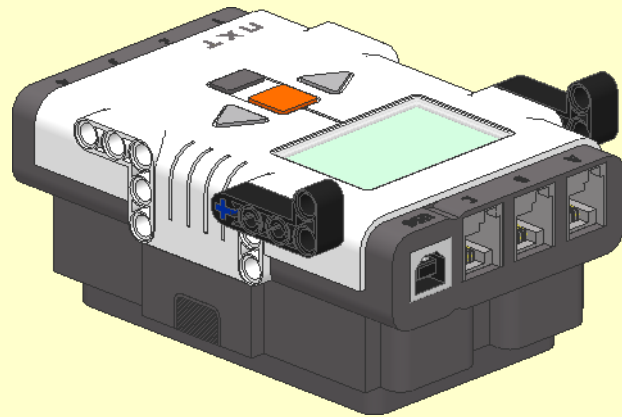


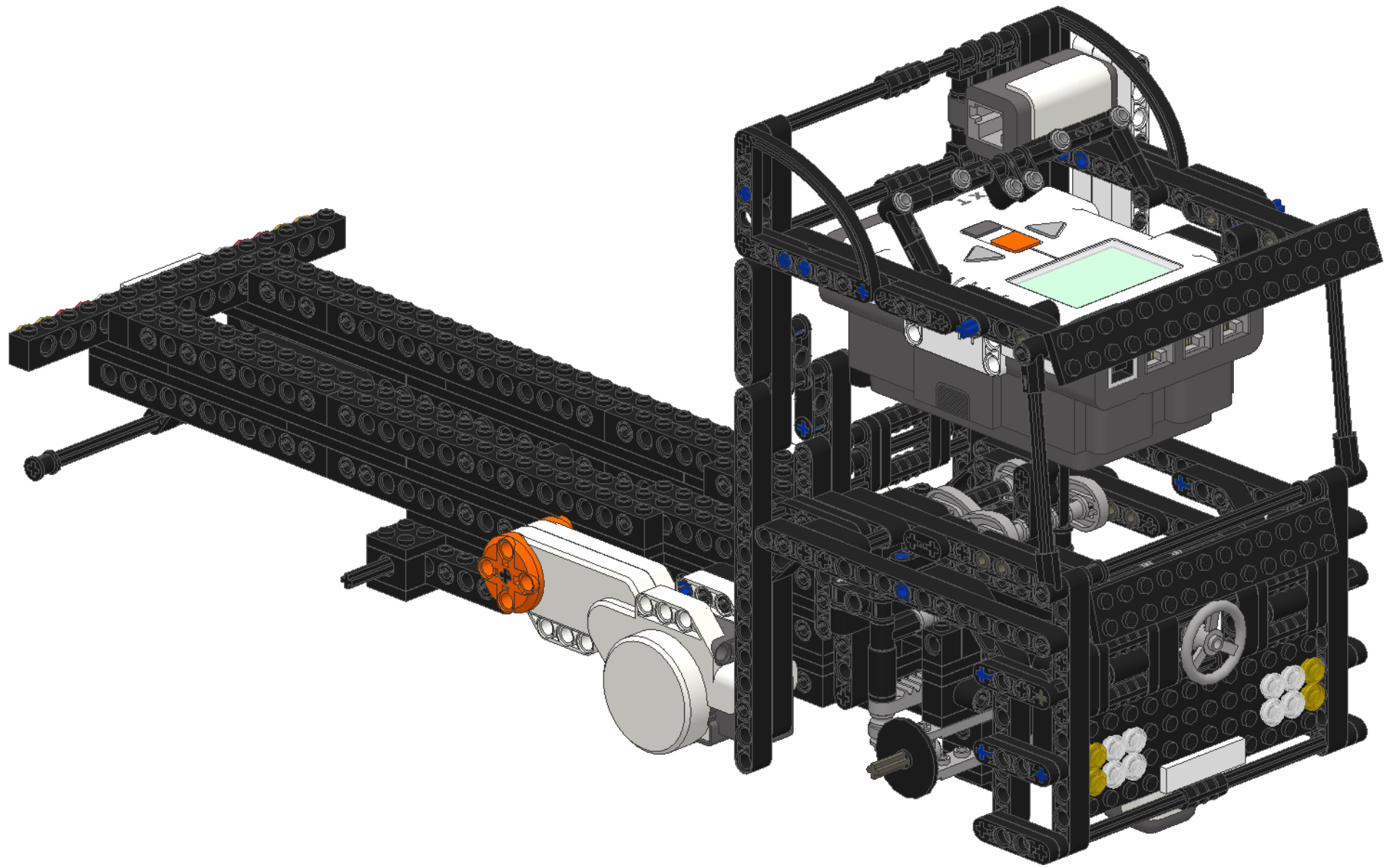


1

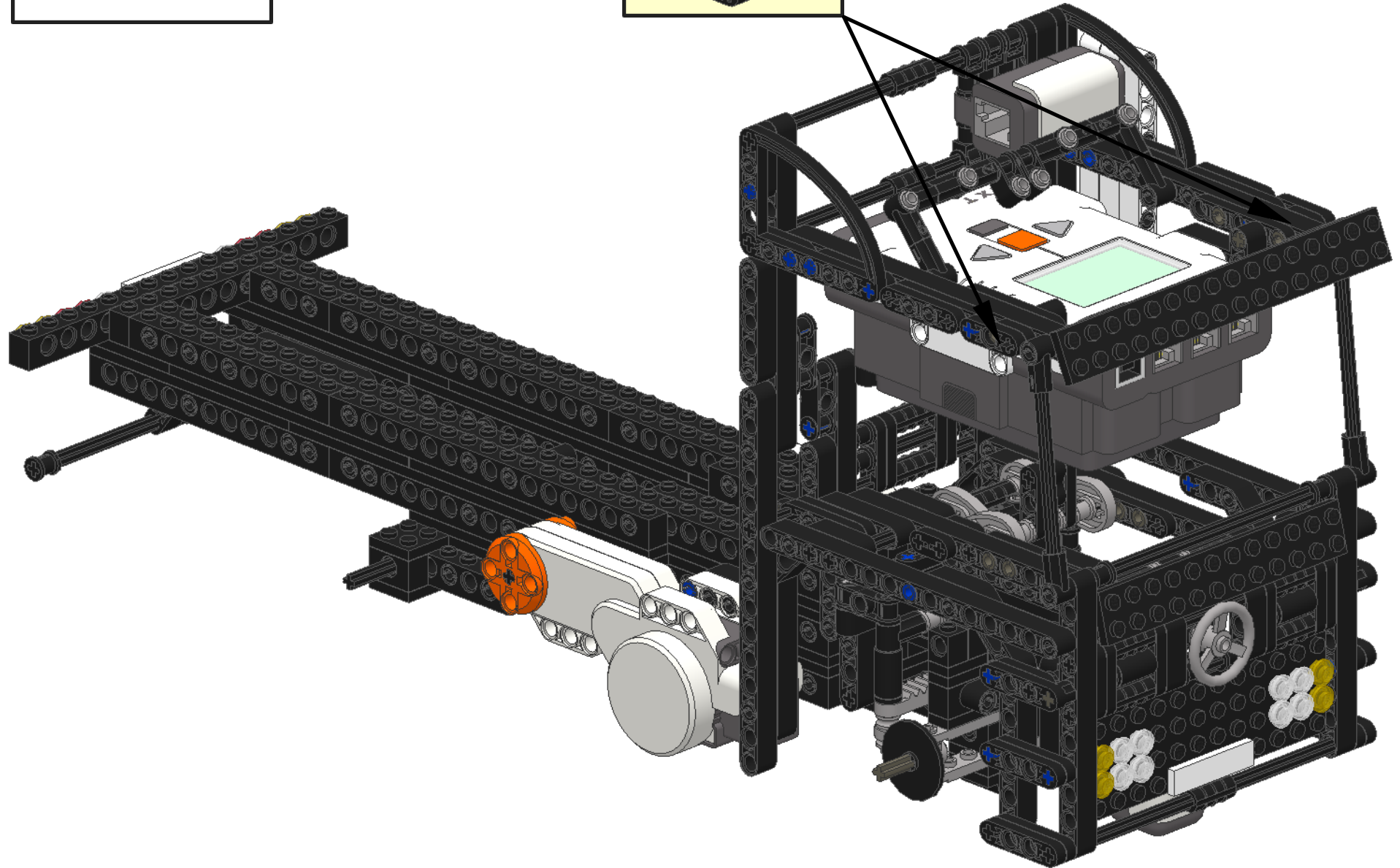
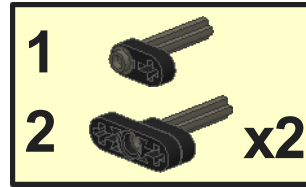
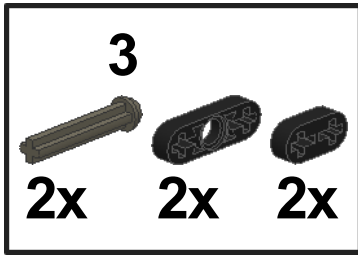


2

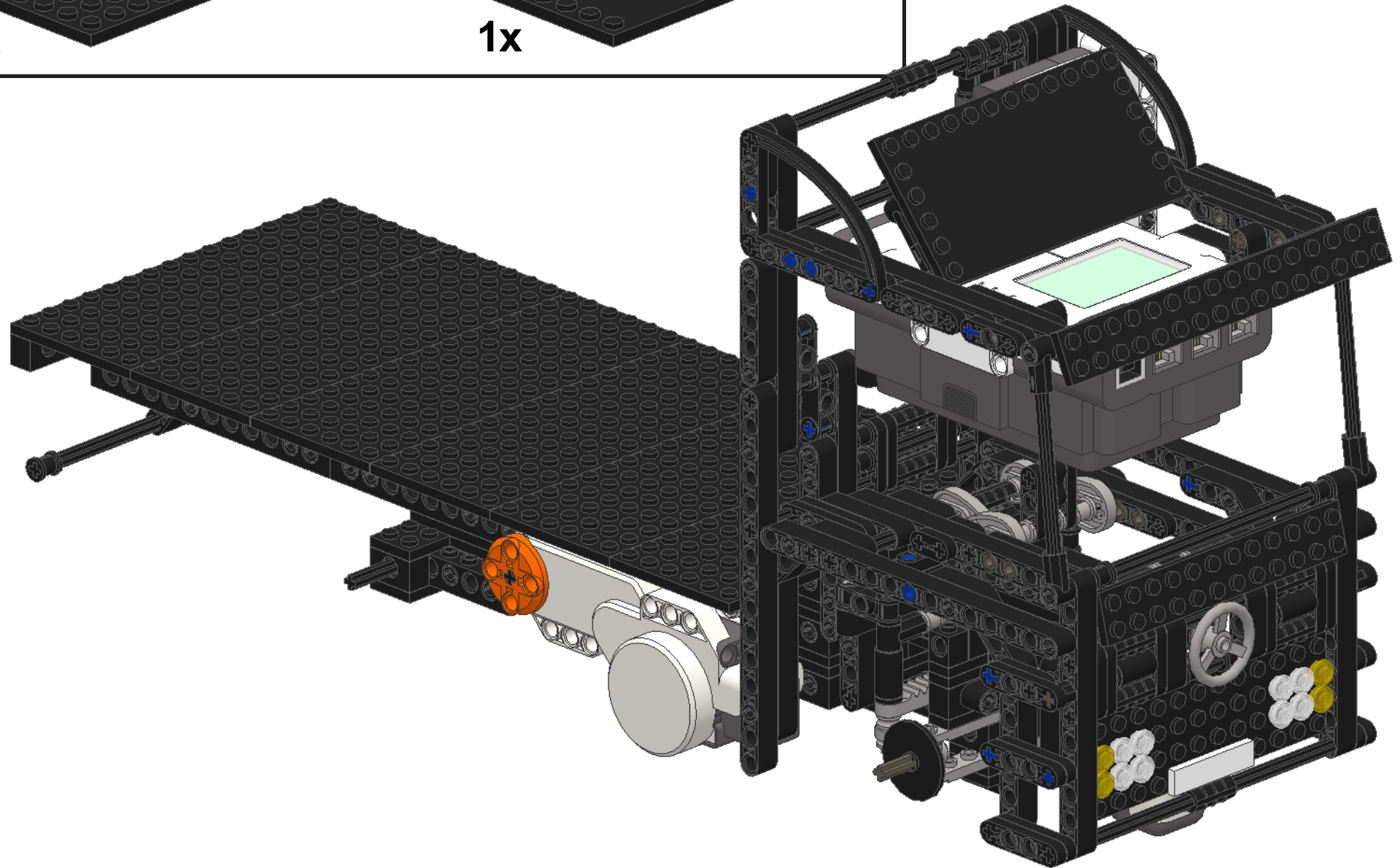
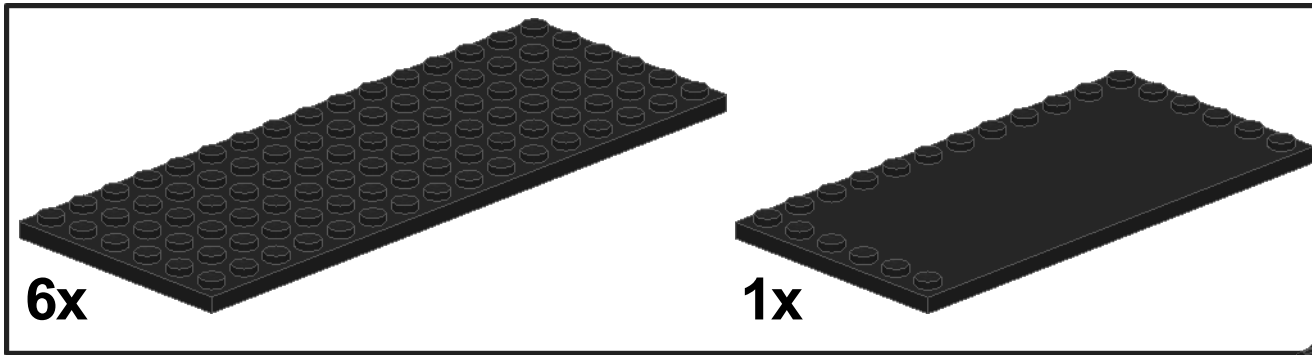




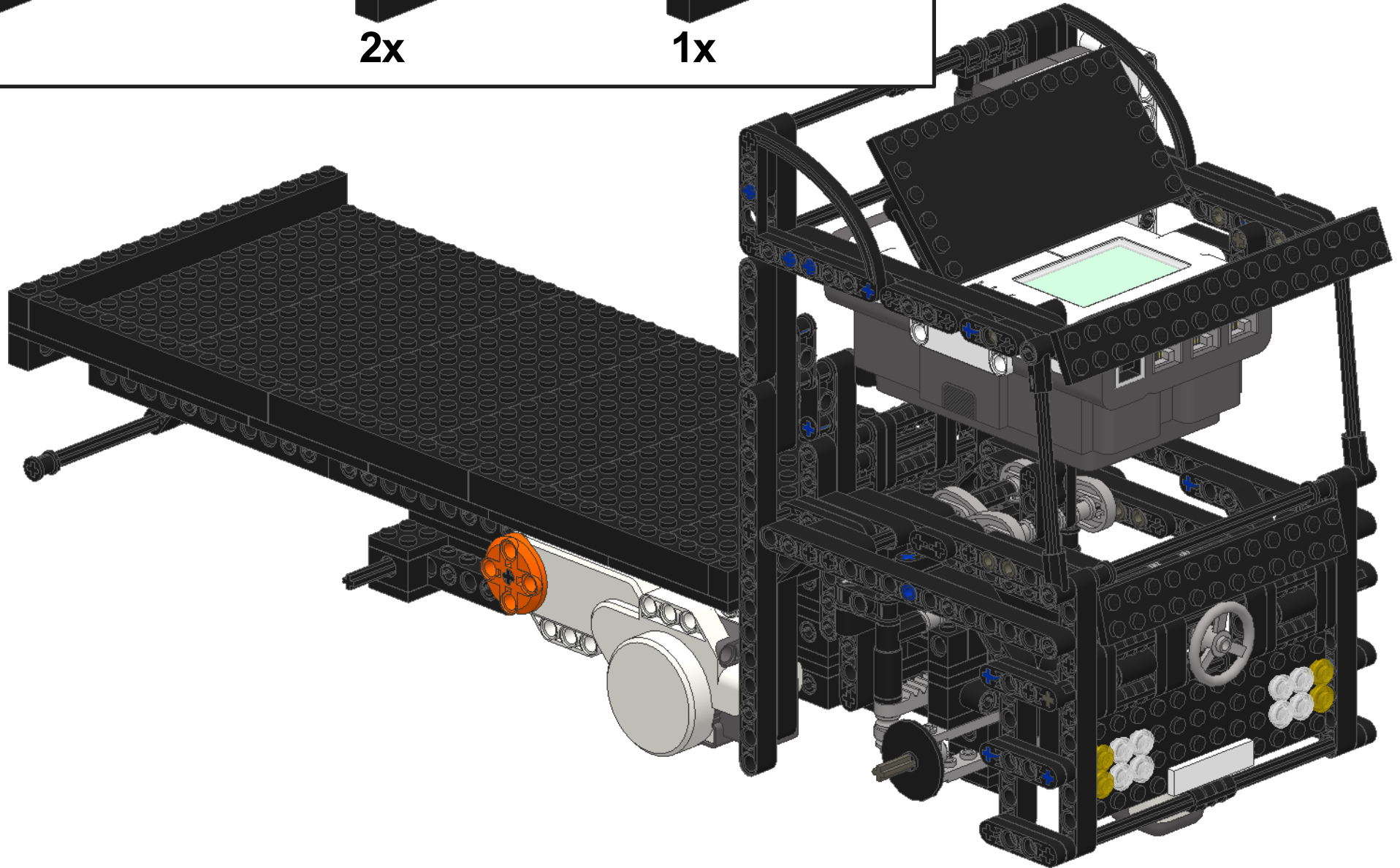
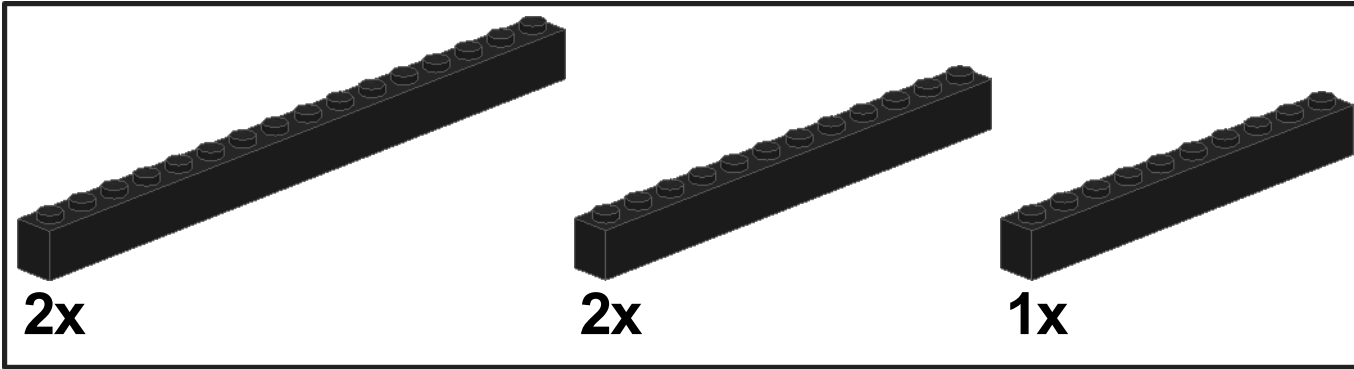
92



93

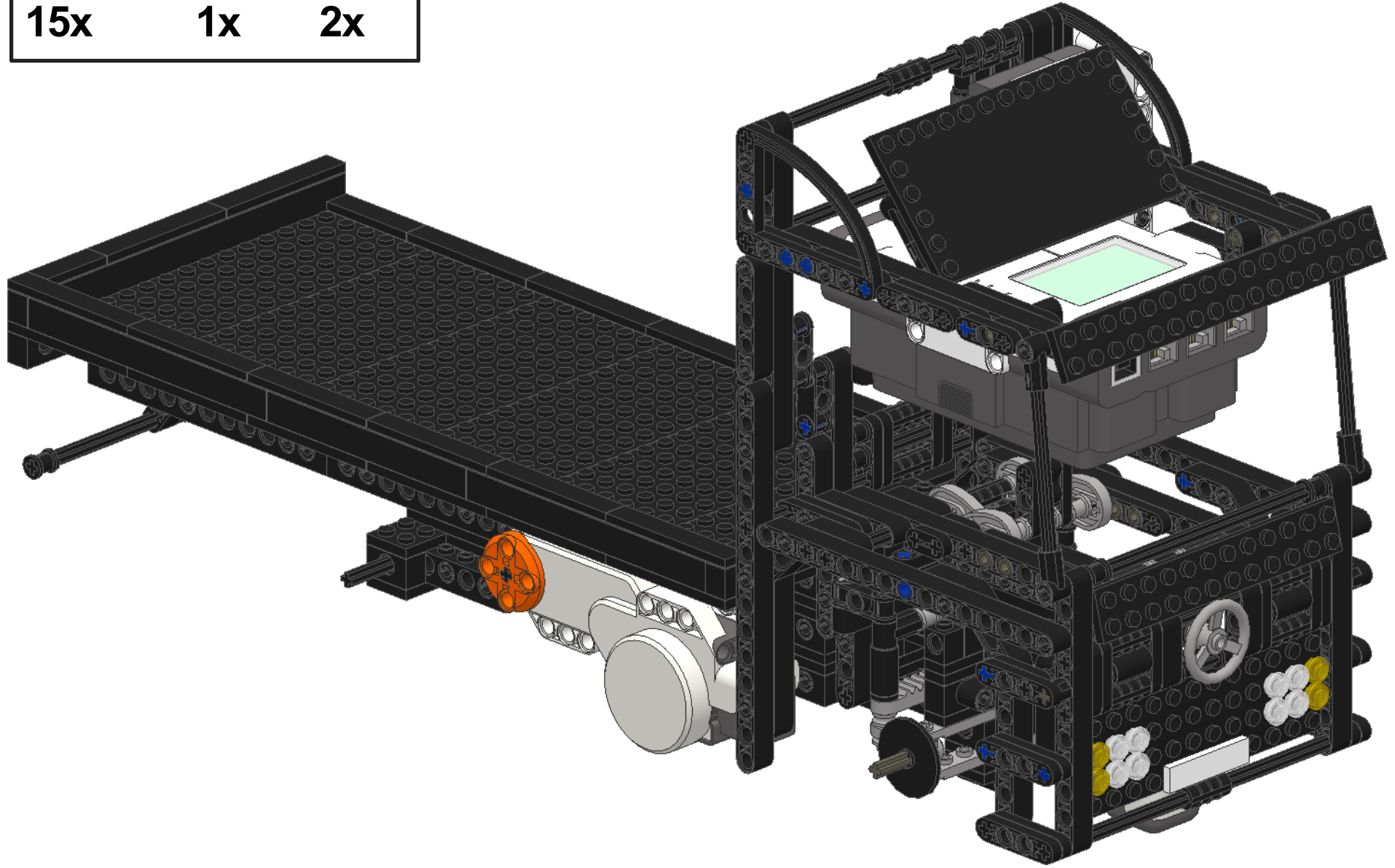
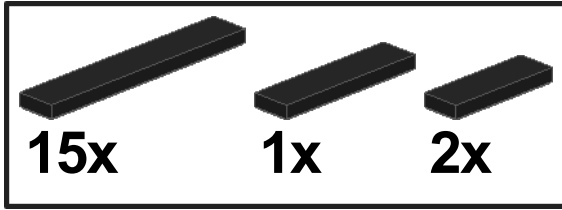


94

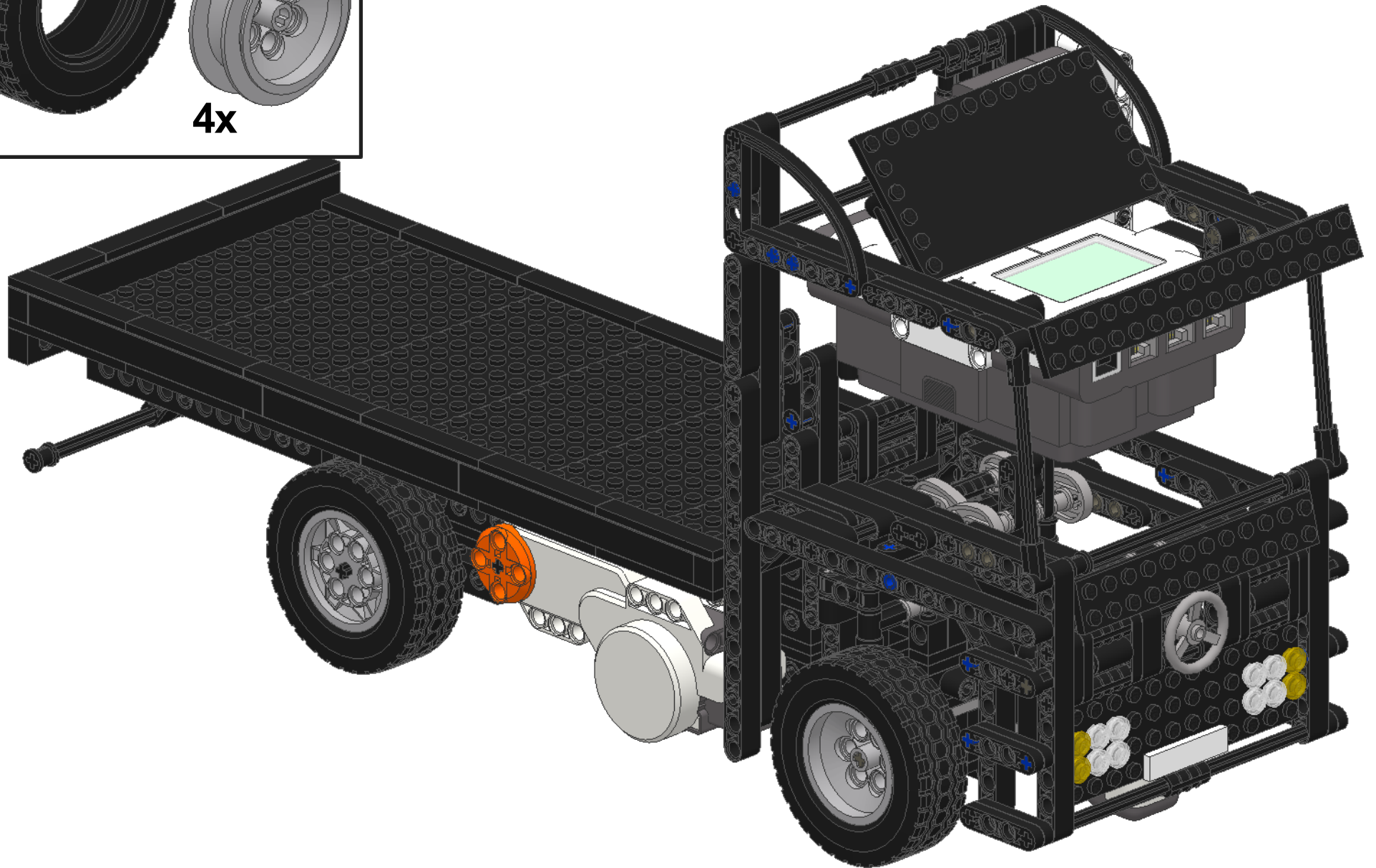
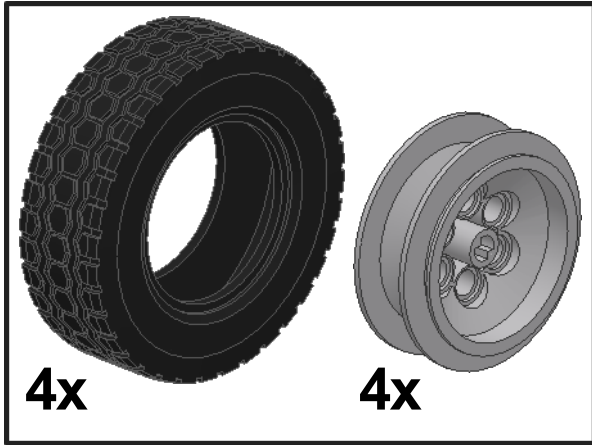


91

95



96



93