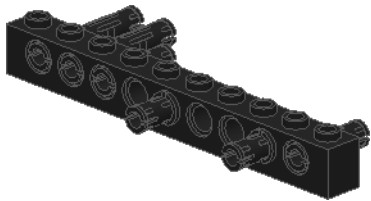
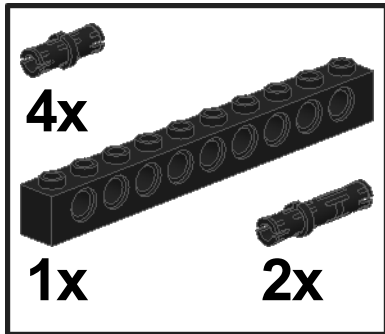
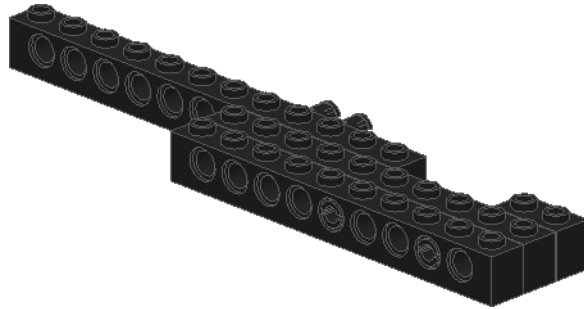
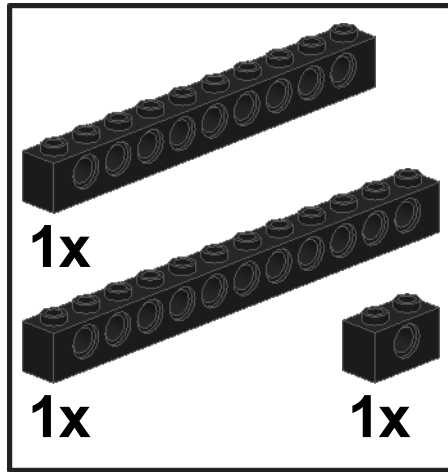


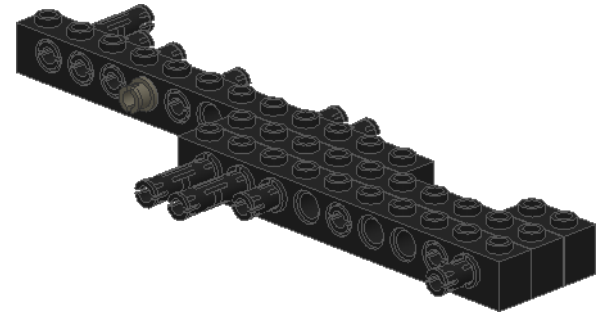
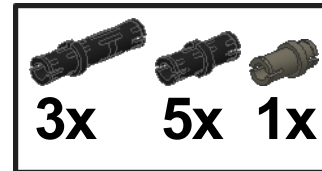
1



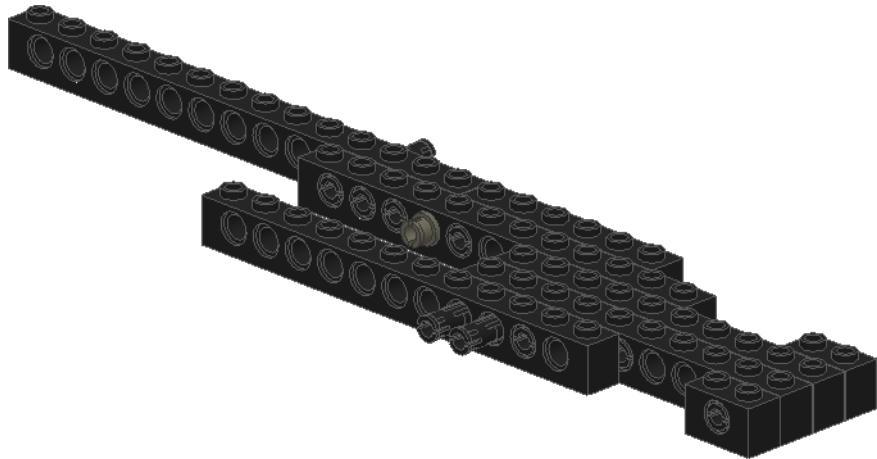
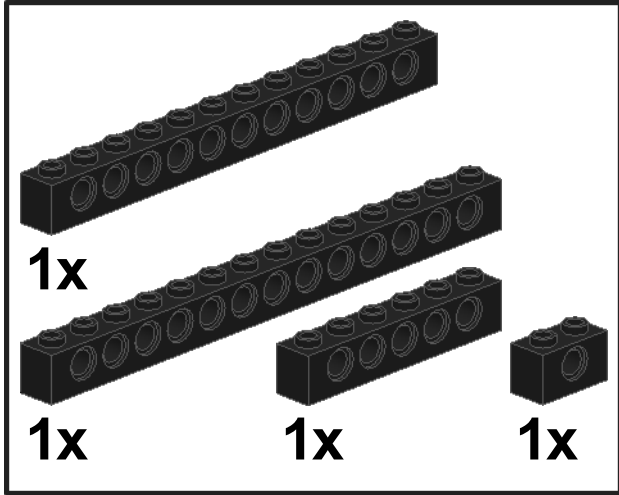
2



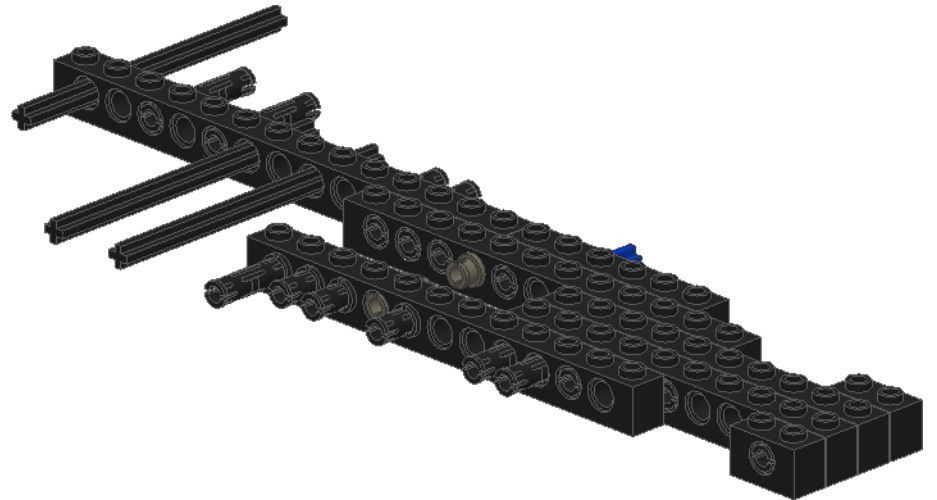
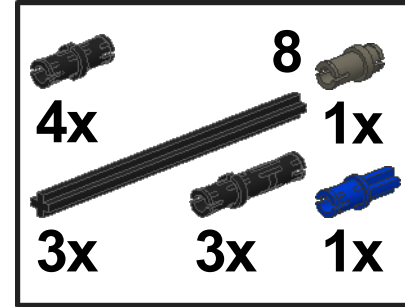
3



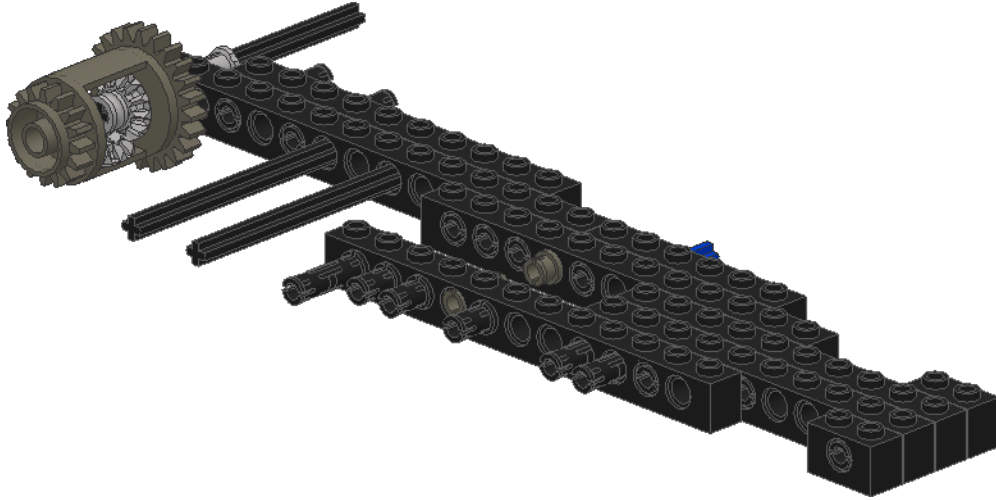
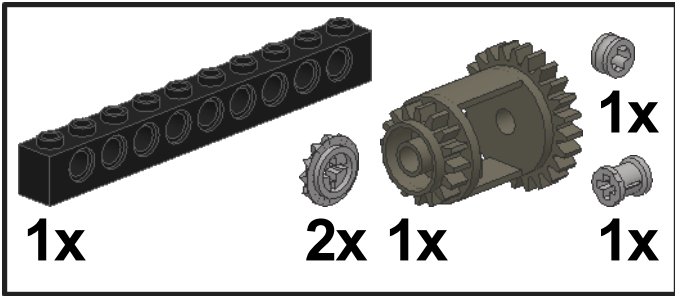
4



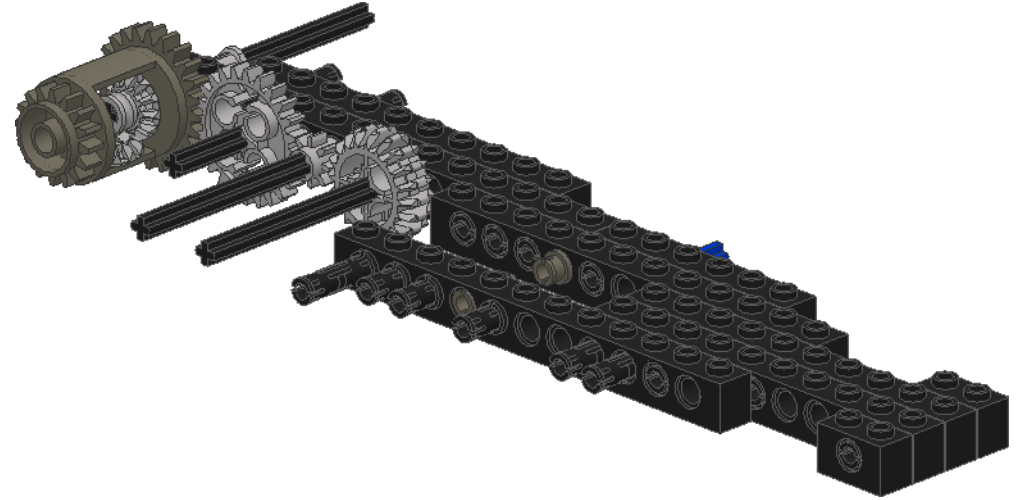
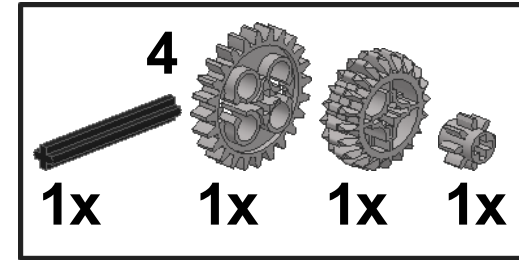
5



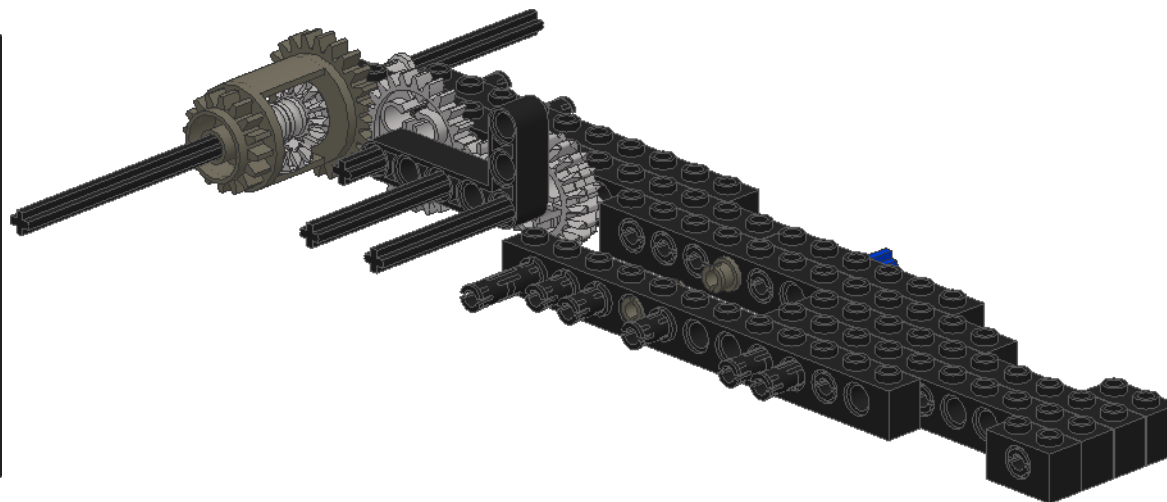
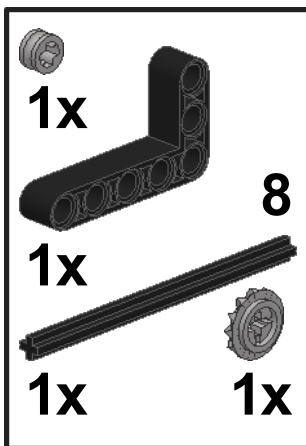
6



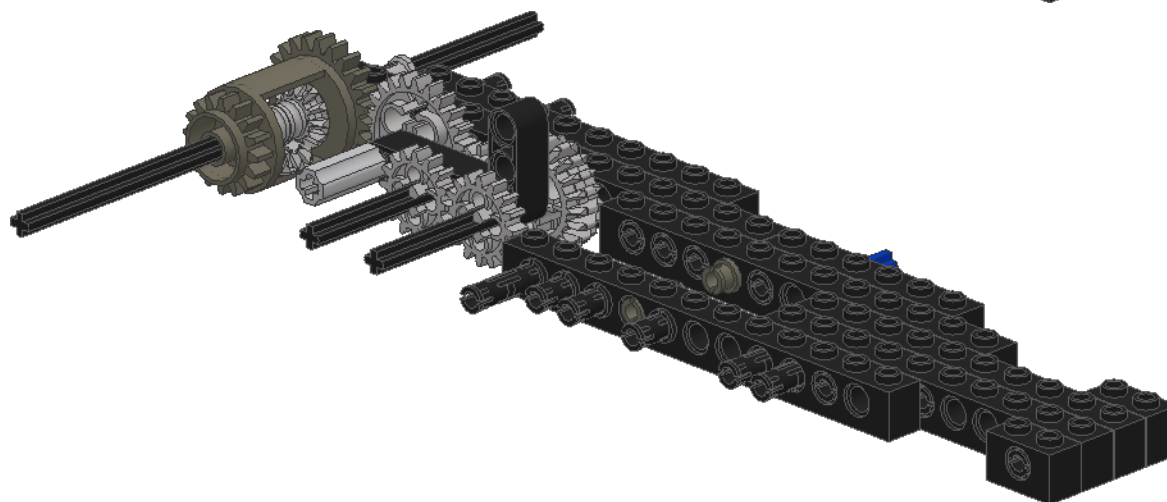
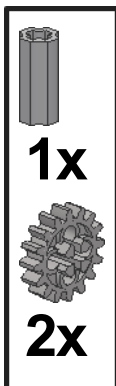
7









8

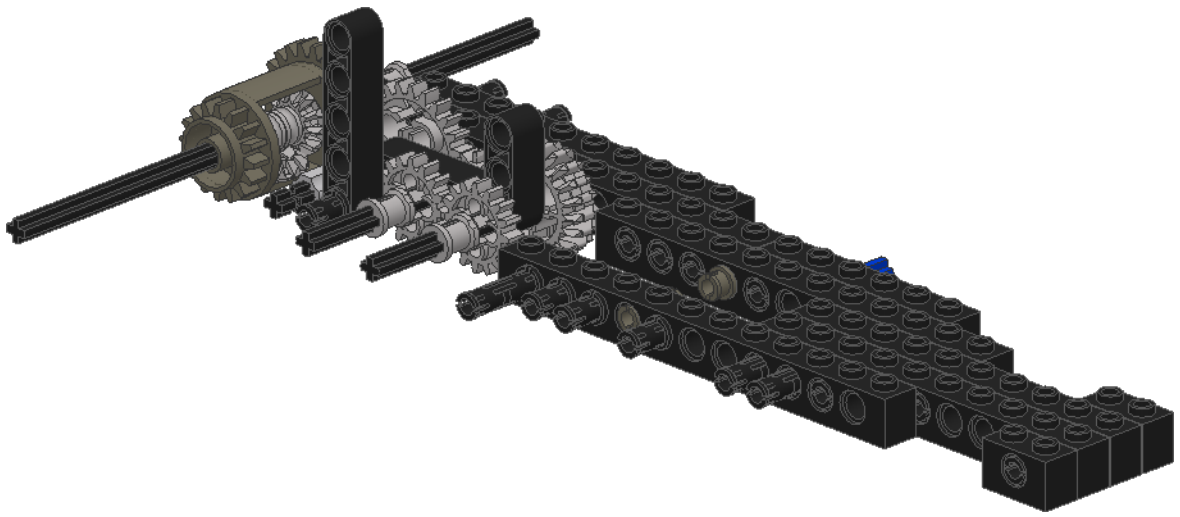


9

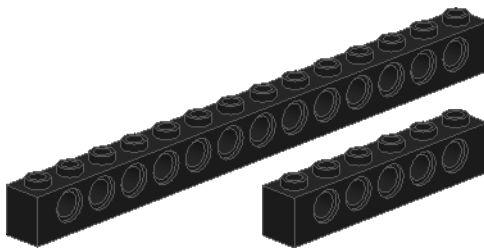



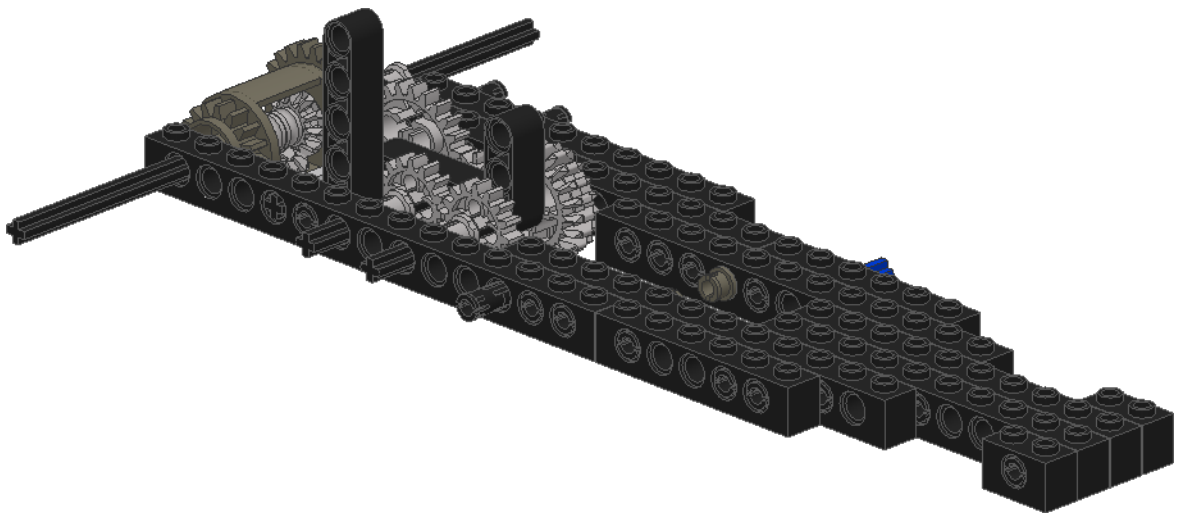
10

	2
	1x
	1x
	5
	1x
	2x

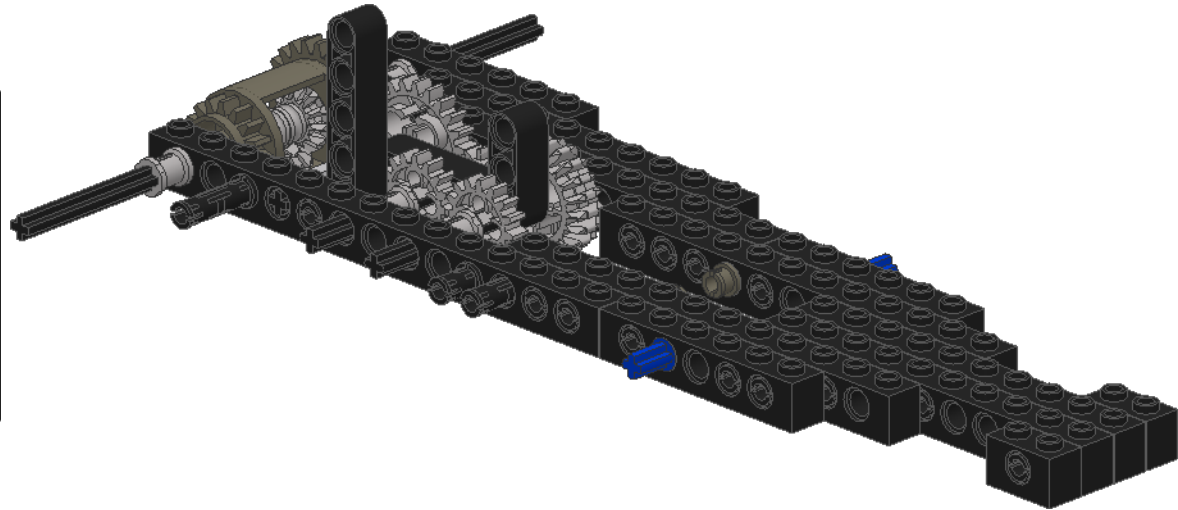
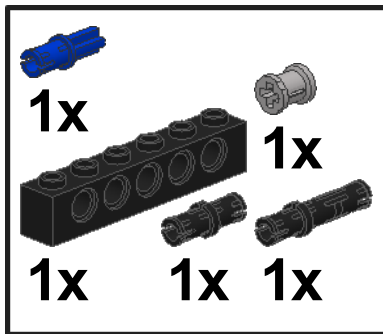


11

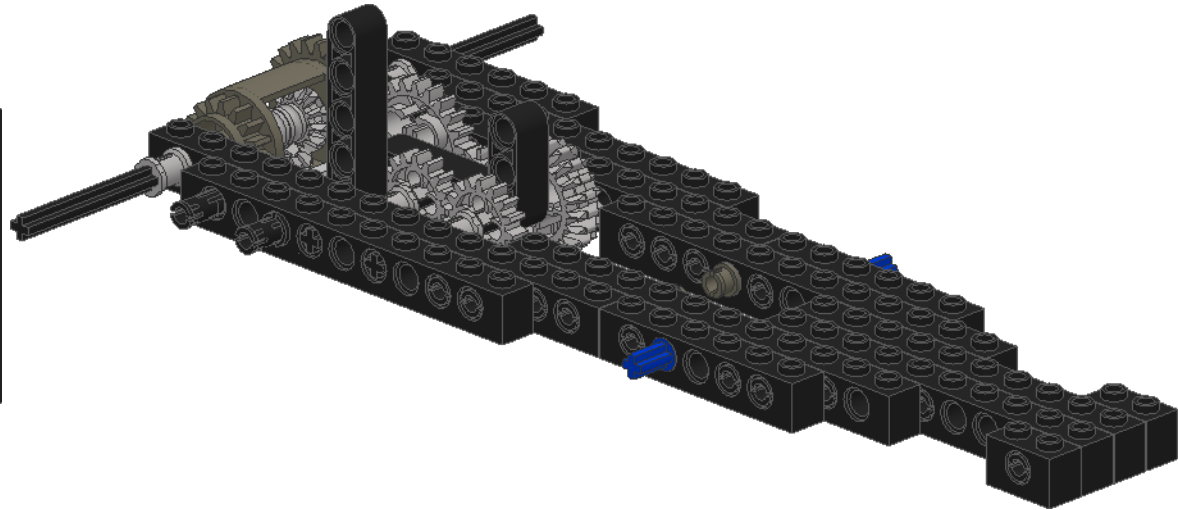
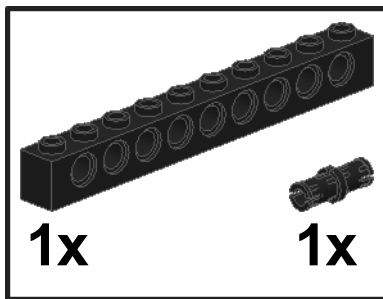
	1x
	1x



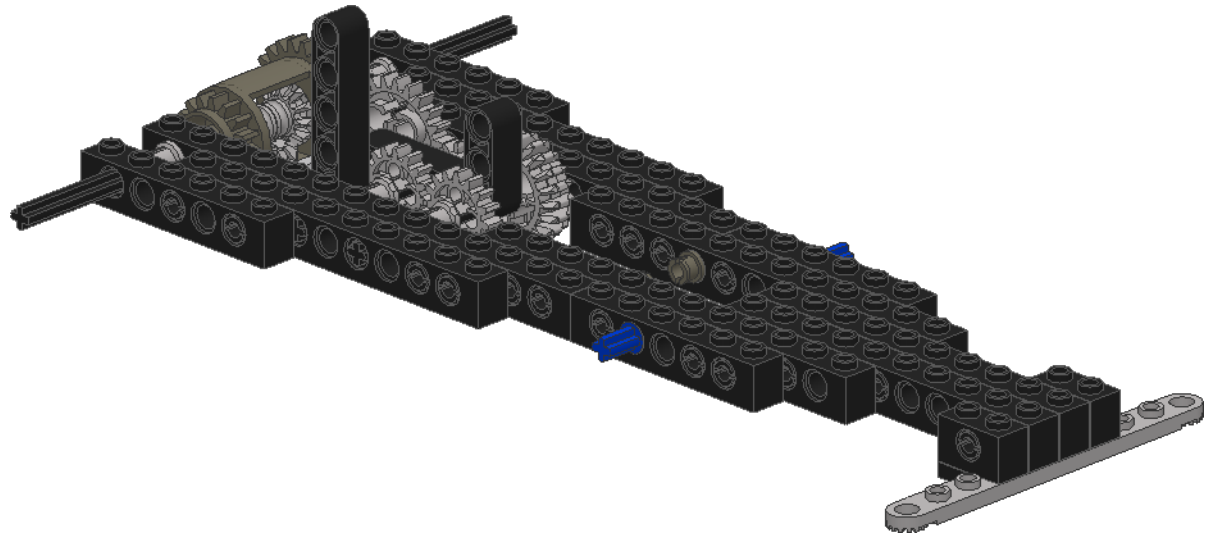
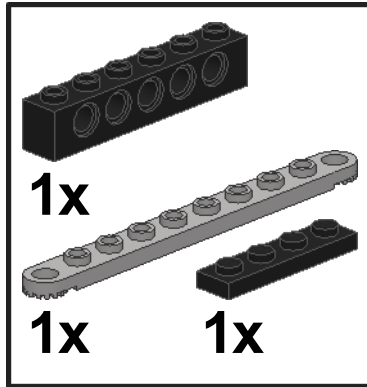
12



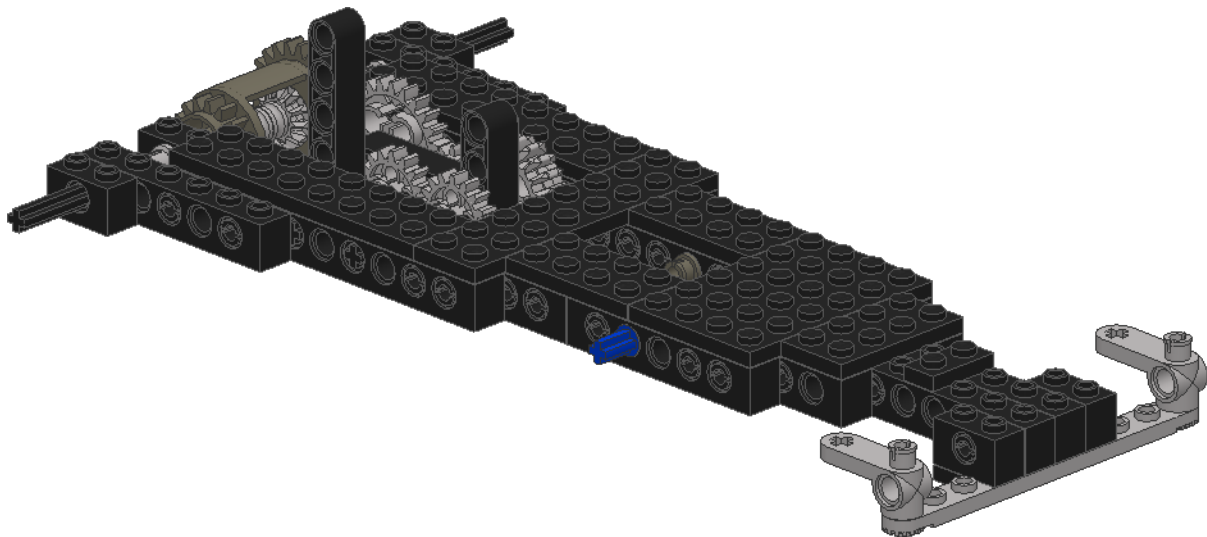
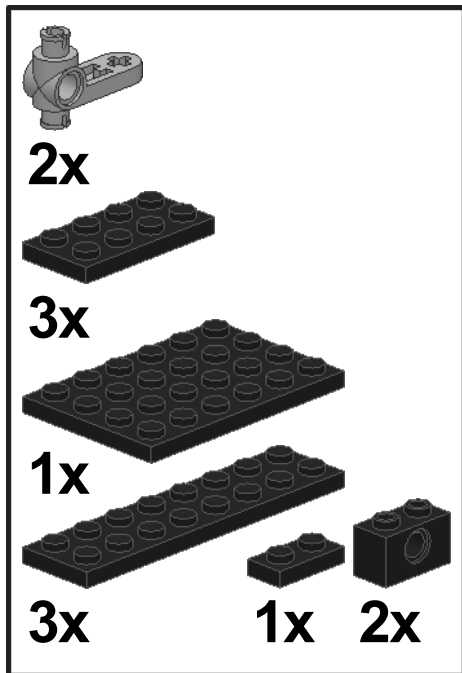
13



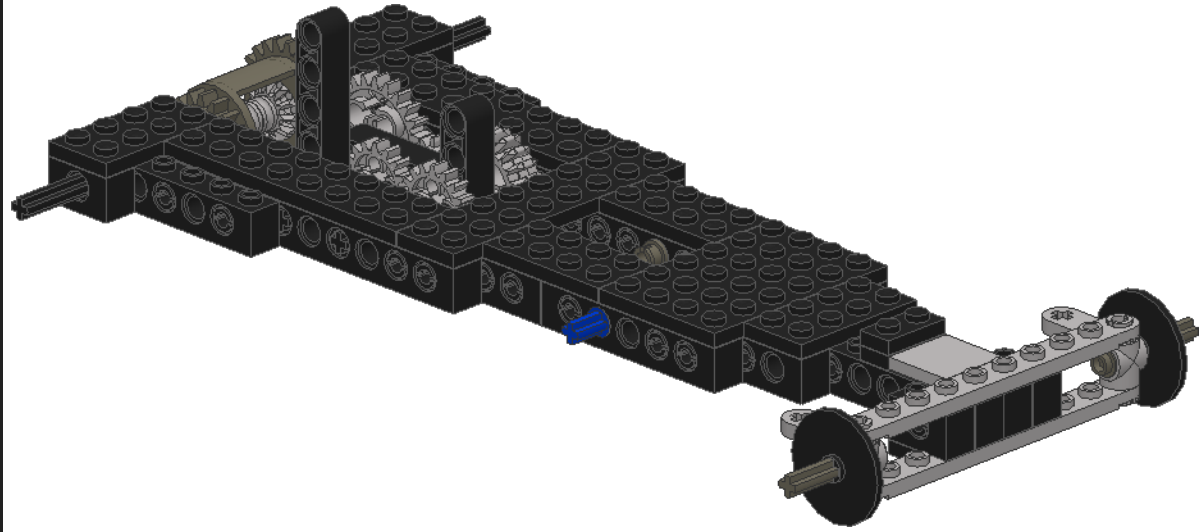
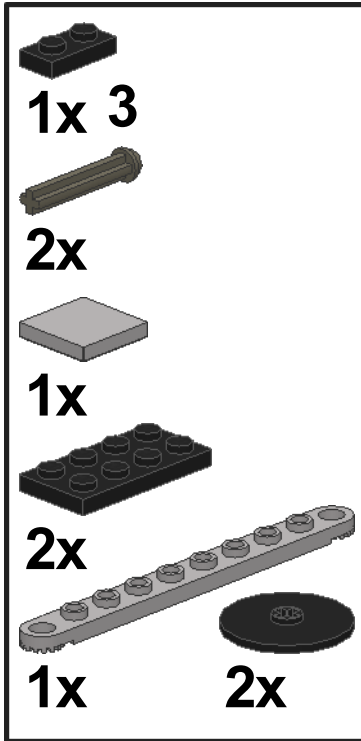
14



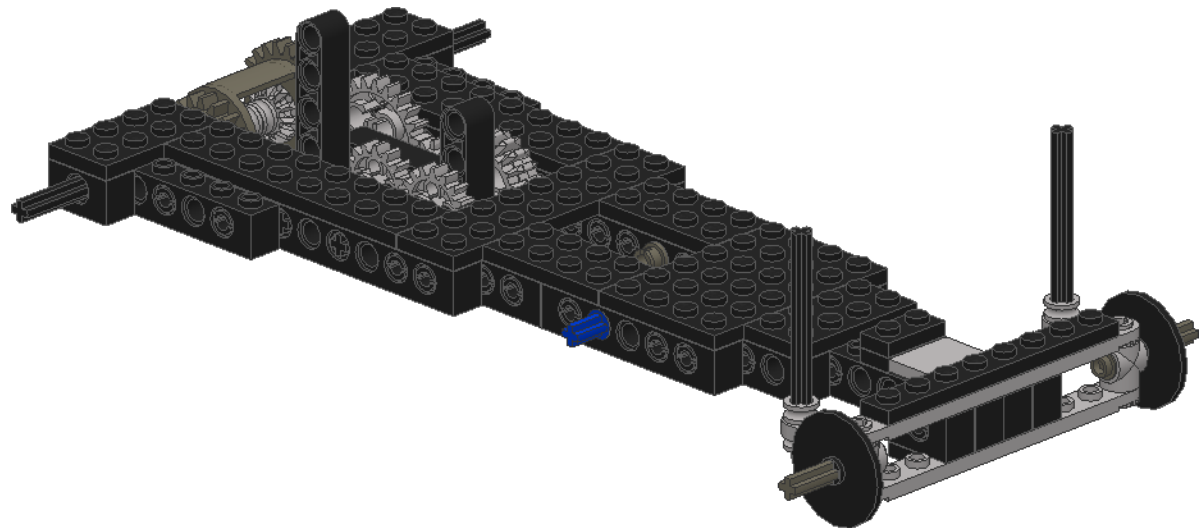
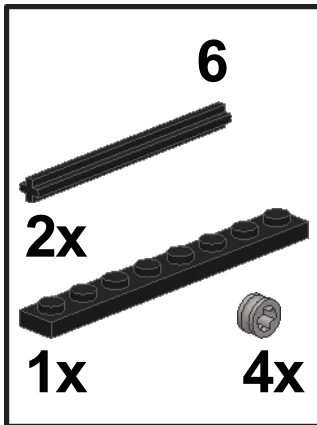
15



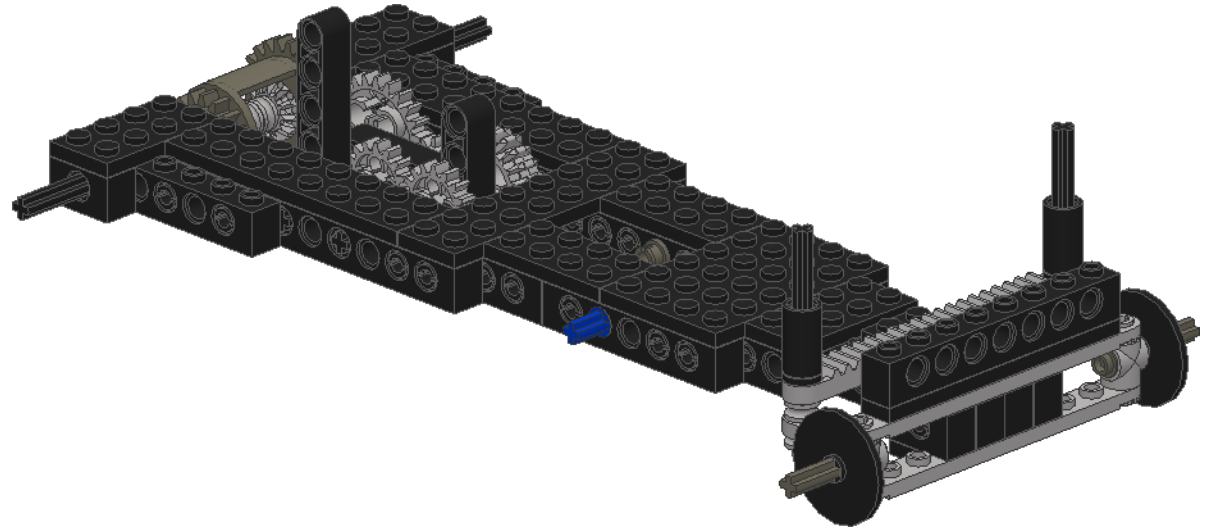
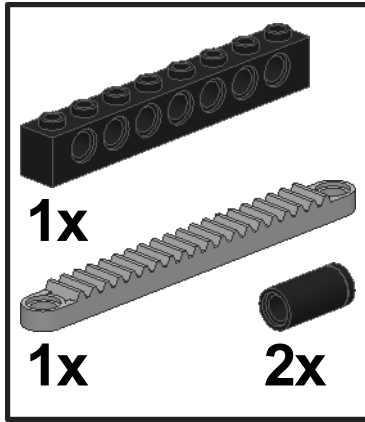
16



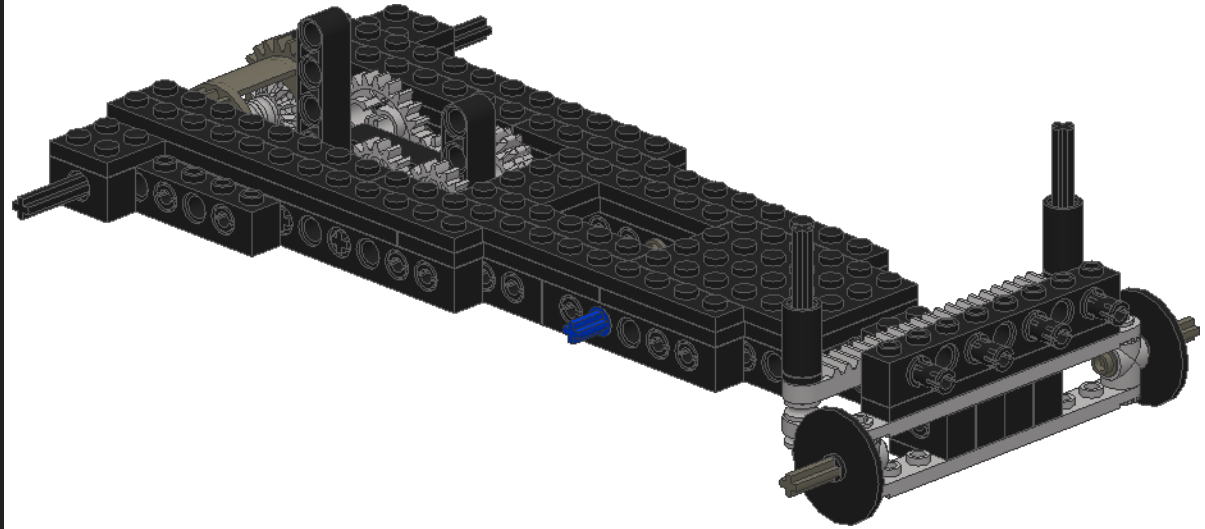
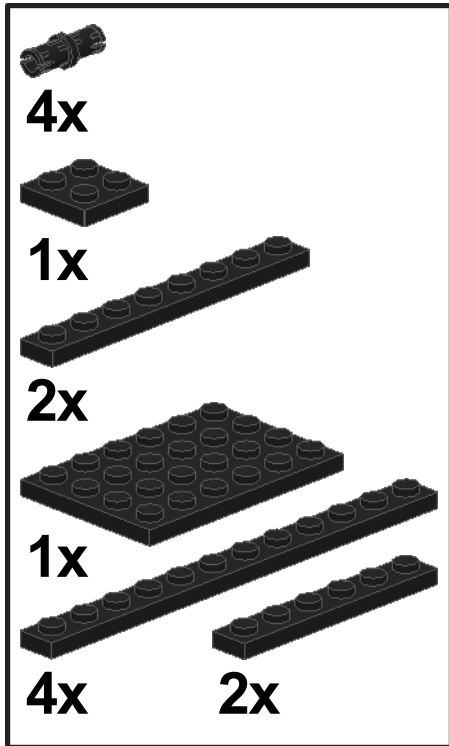
17



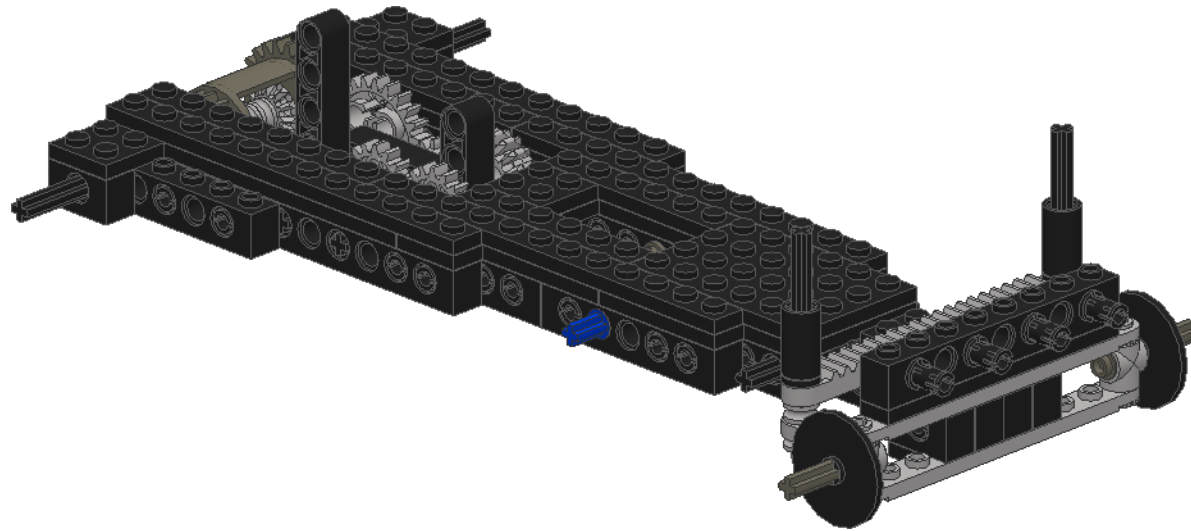
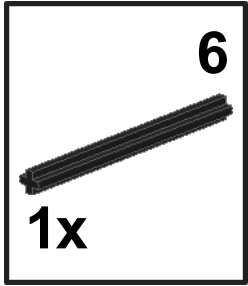
18

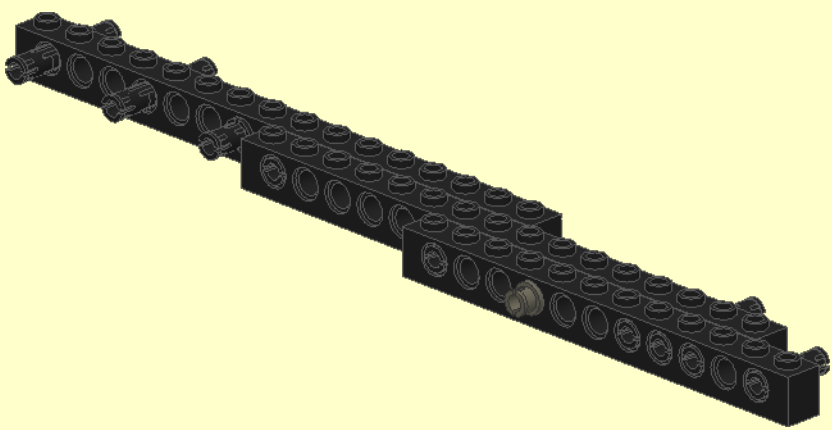
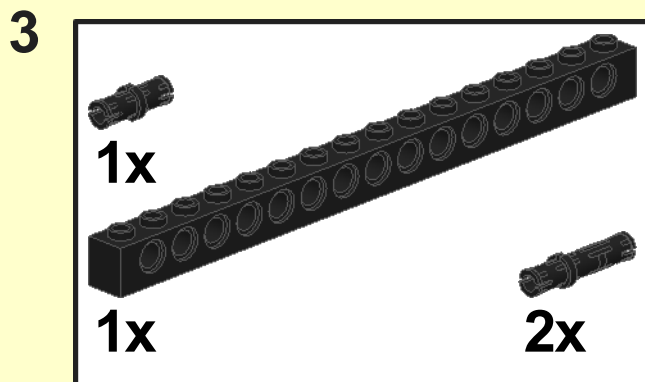
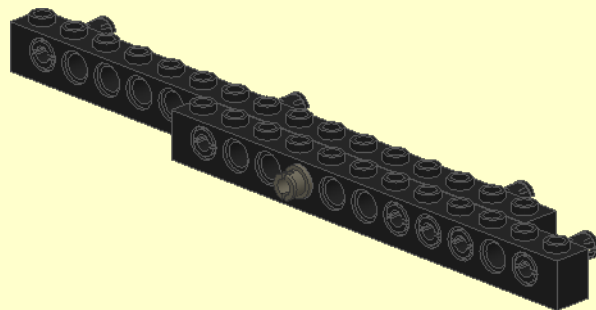
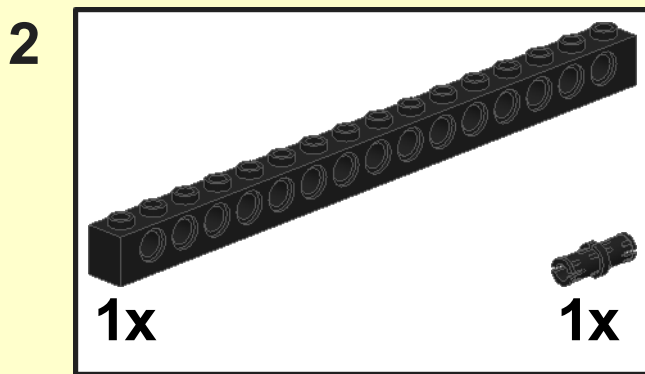
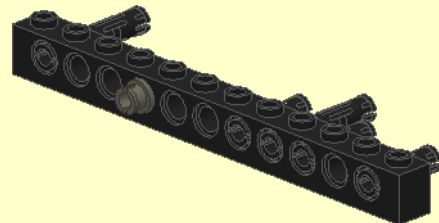
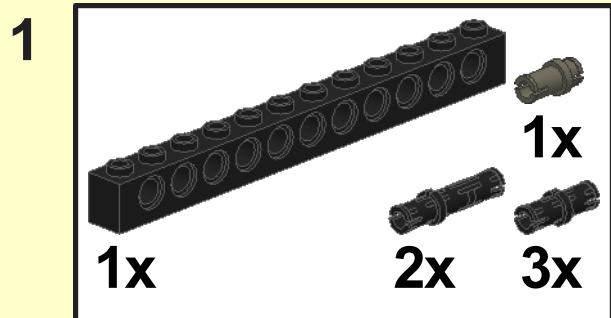


19

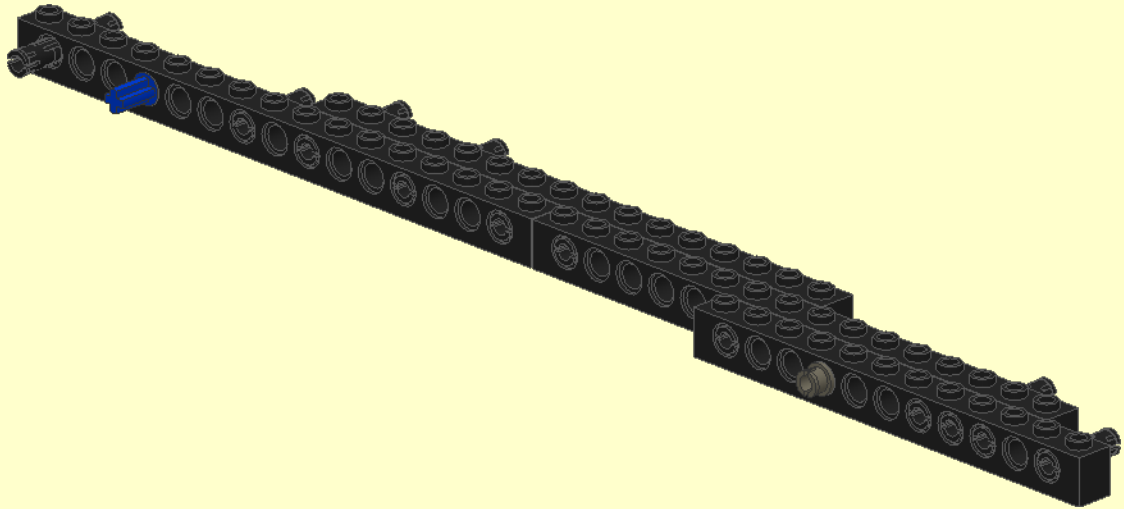
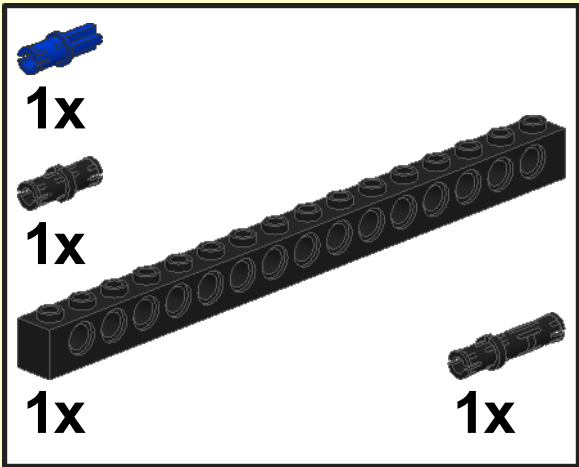


20

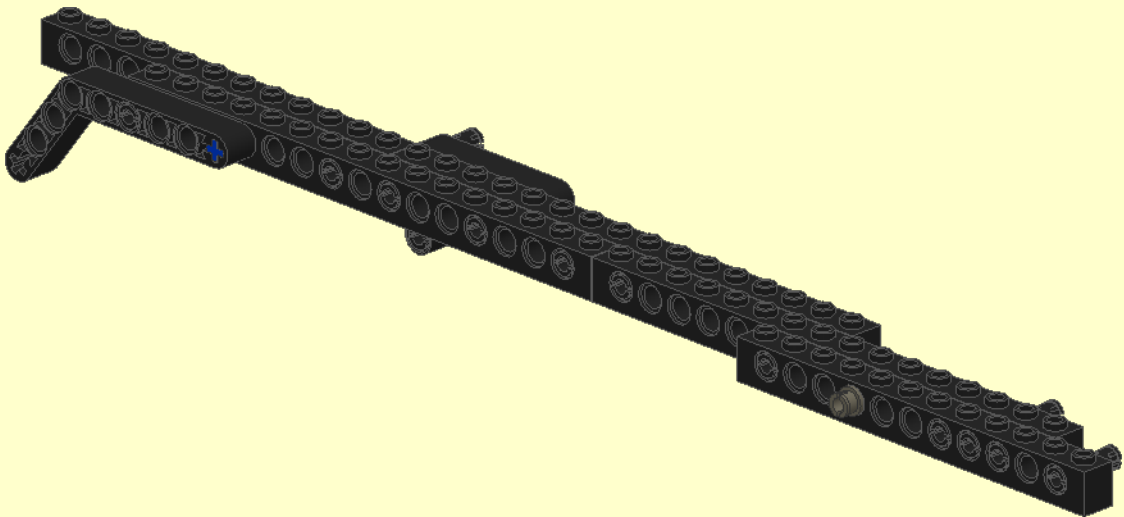
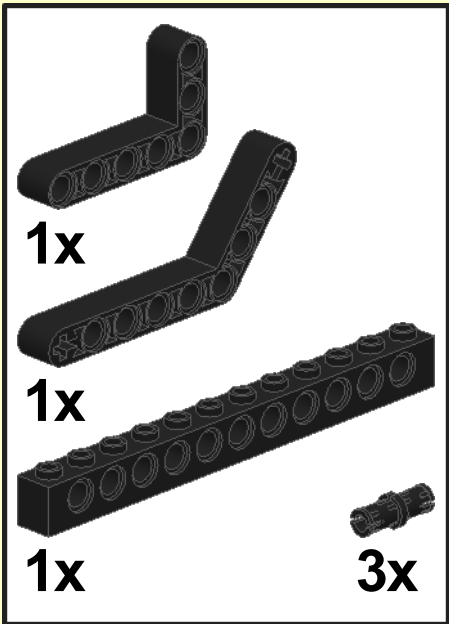




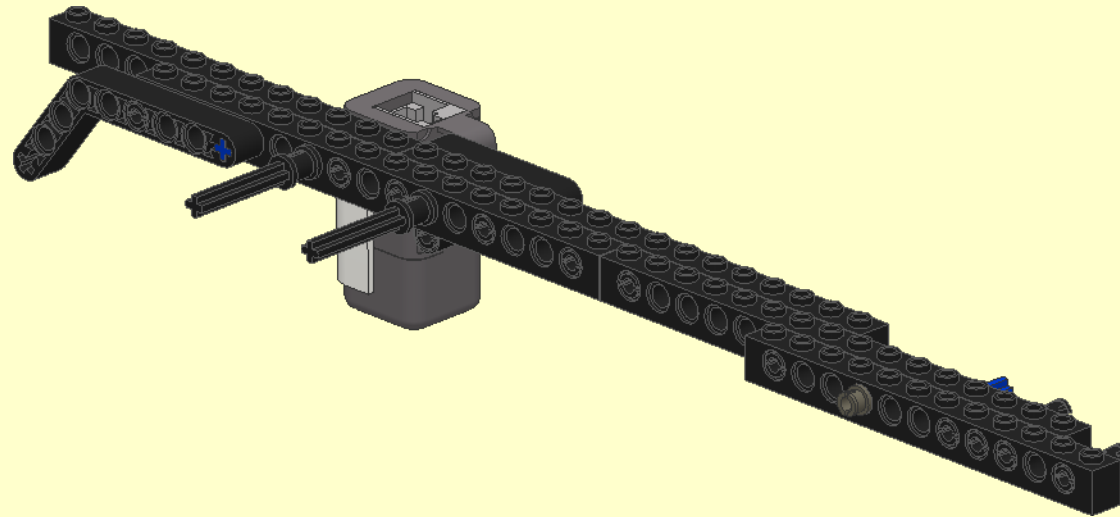
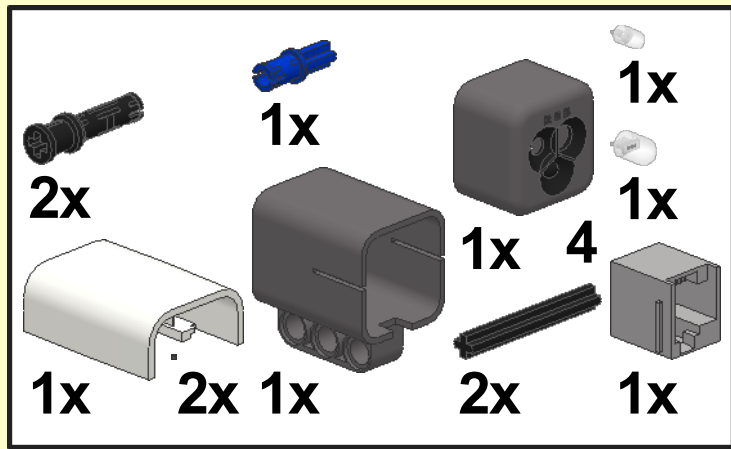
4

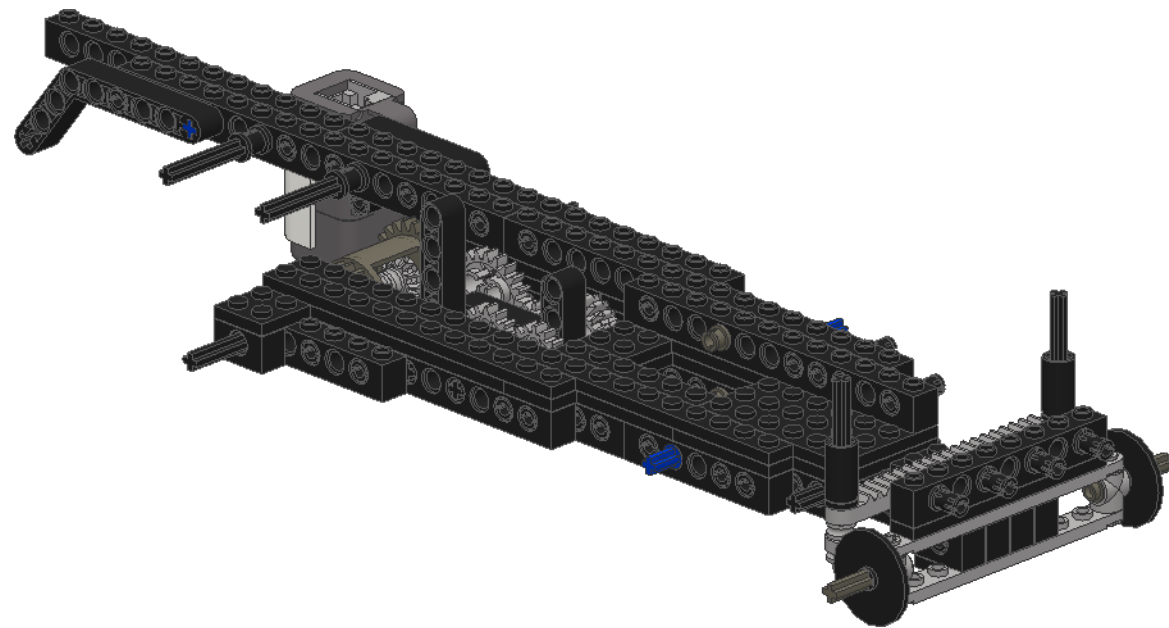


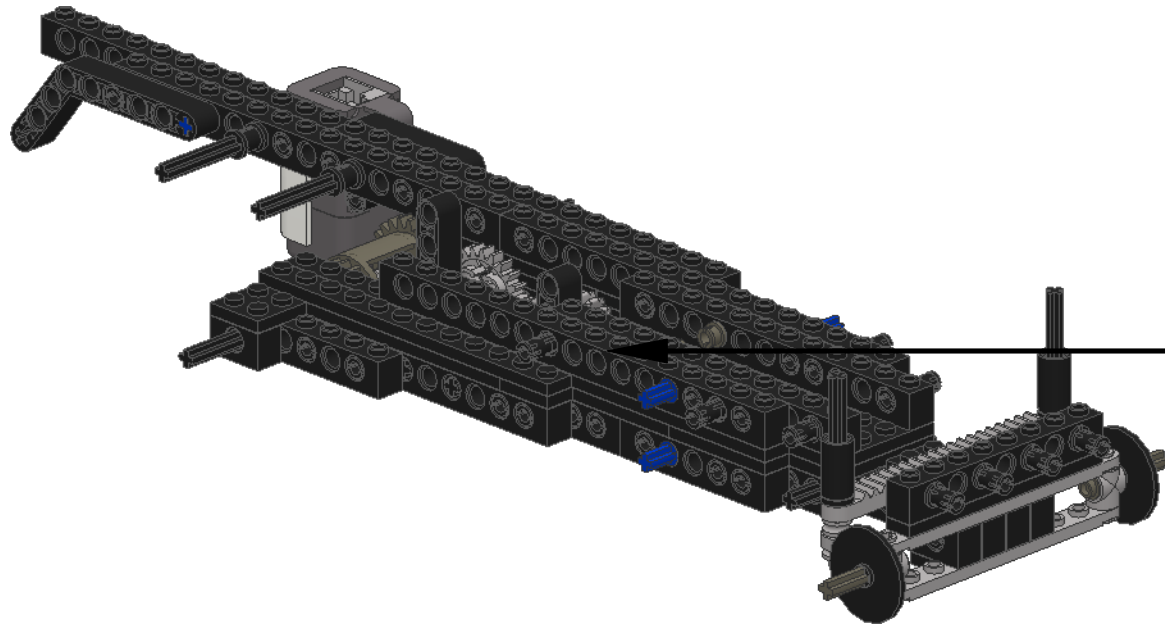
5



6







1

3x
1x

2x 1x

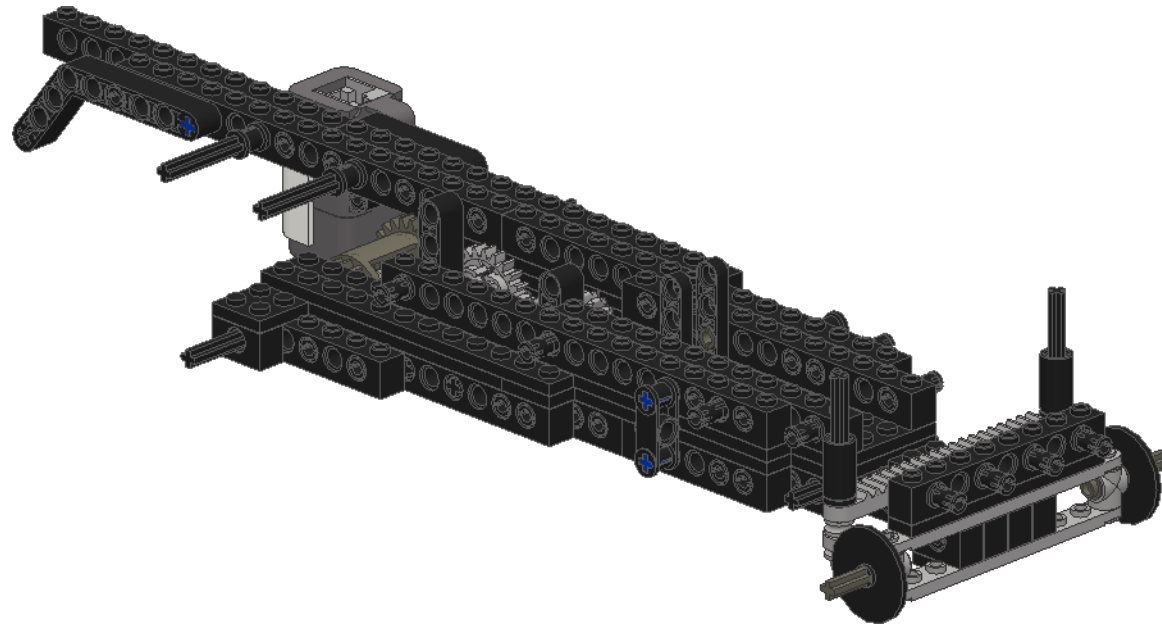
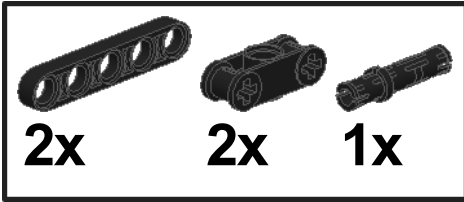
2

1x 1x

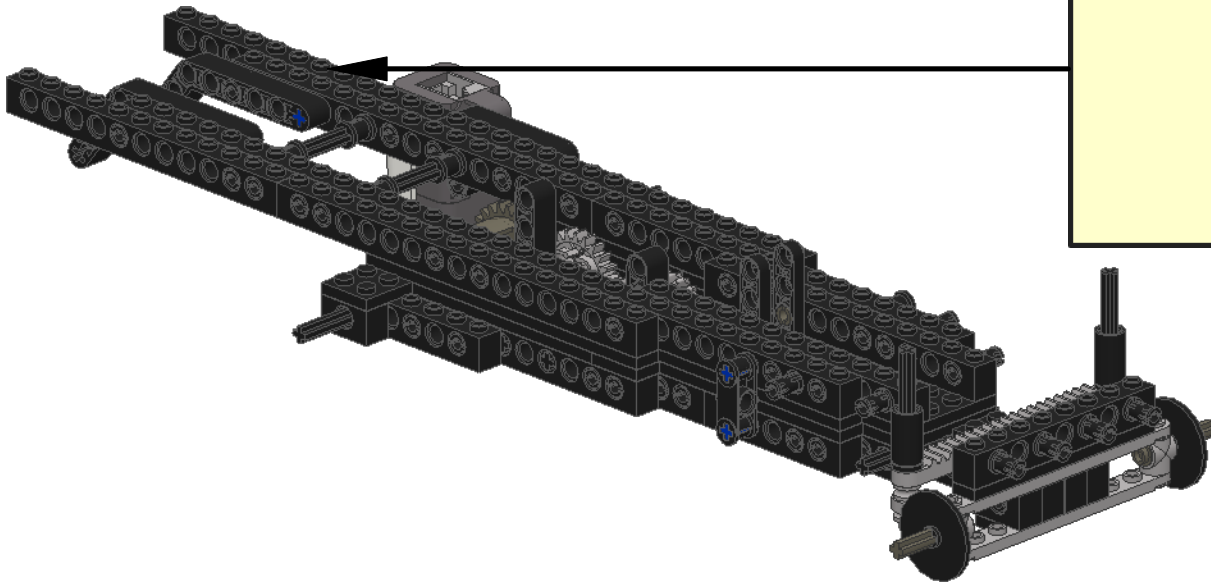
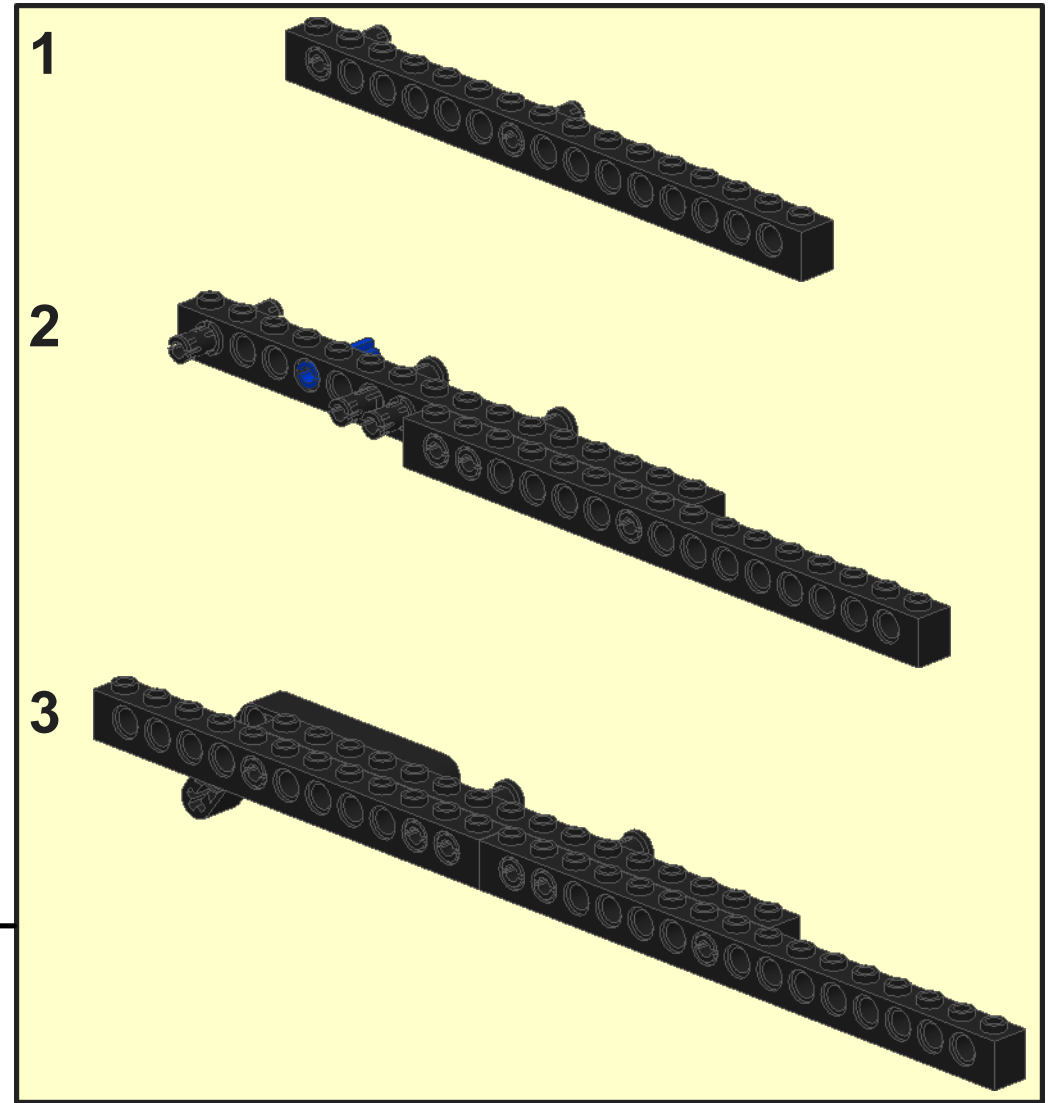
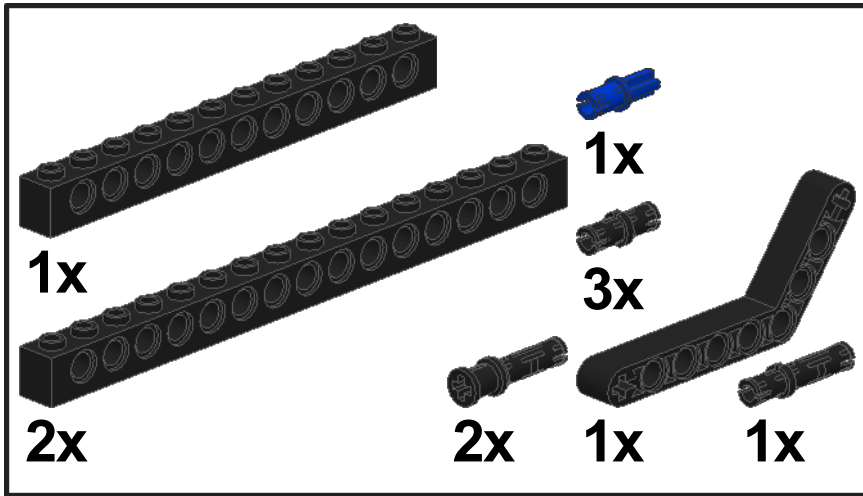
2

1x 1x

23



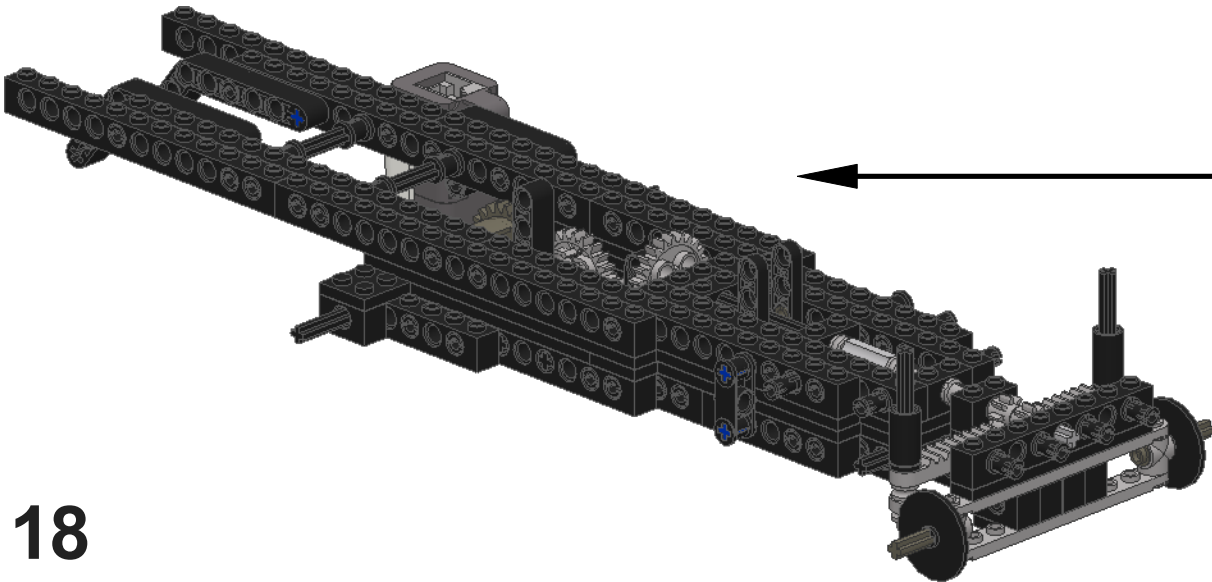
24



25

A parts list for step 25, showing the following items and quantities:

- 2x (grey) Technic axle
- 1x (black) Technic axle
- 1x (black) Technic axle
- 9 (grey) Technic axle
- 10 (black) Technic axle
- 1x (grey) Technic axle
- 5x (black) Technic axle
- 1x (black) 1-hole Technic brick
- 1x (grey) Technic gear
- 3x (grey) Technic bush
- 2x (grey) Technic bush

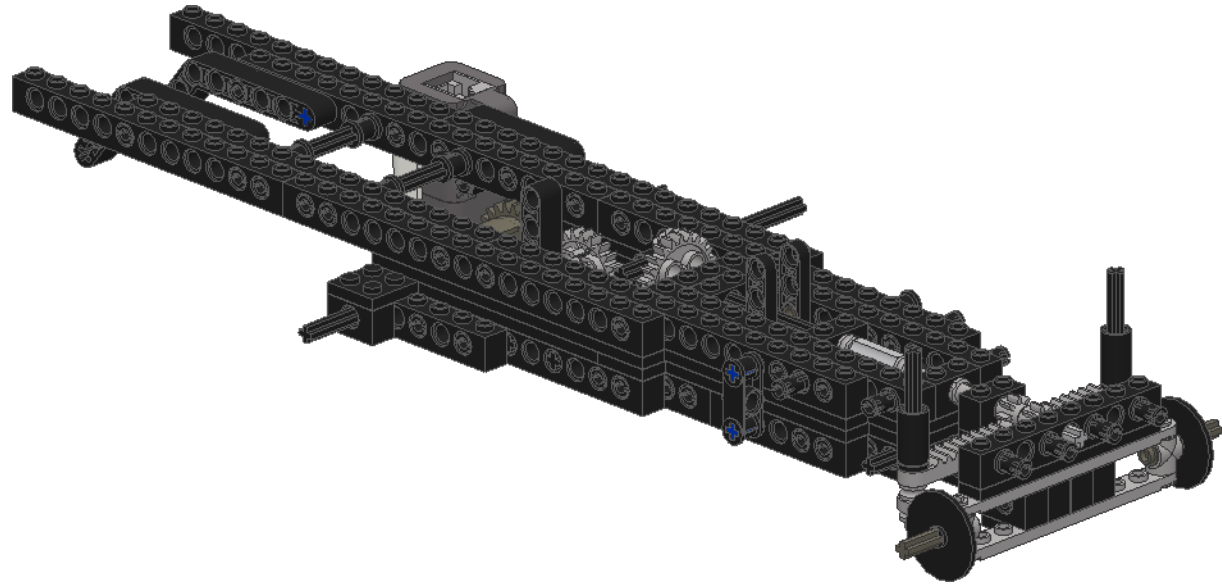
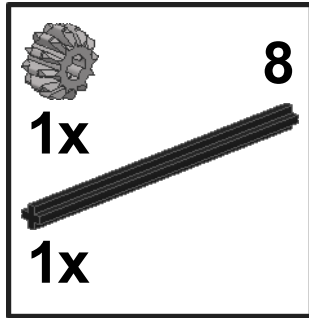


18

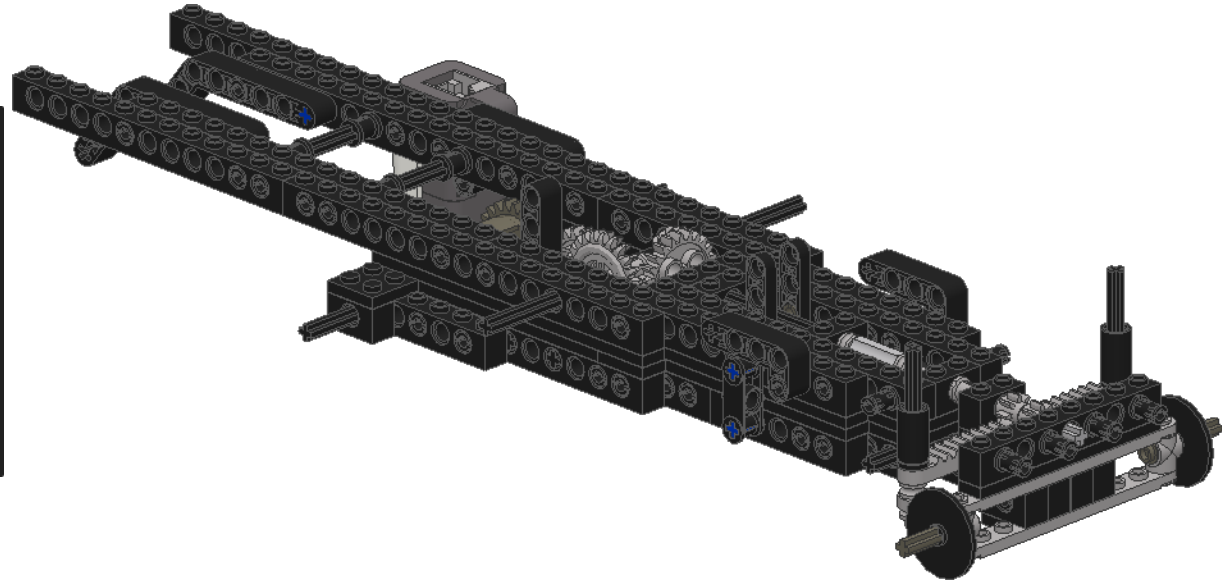
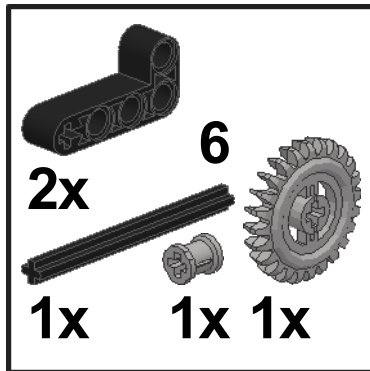
A vertical sequence of five numbered steps (1-5) illustrating the assembly of the axle mechanism shown in the main view. The background is yellow.

1. A grey Technic axle is inserted into a grey Technic bush.
2. A black Technic axle is inserted into a grey Technic bush, which is then inserted into the grey Technic bush from step 1.
3. A black 1-hole Technic brick is placed over the ends of the axles.
4. A grey Technic gear is placed on the end of the black axle.
5. A grey Technic bush is inserted into the end of the black axle, and another grey Technic bush is inserted into the end of the grey axle.

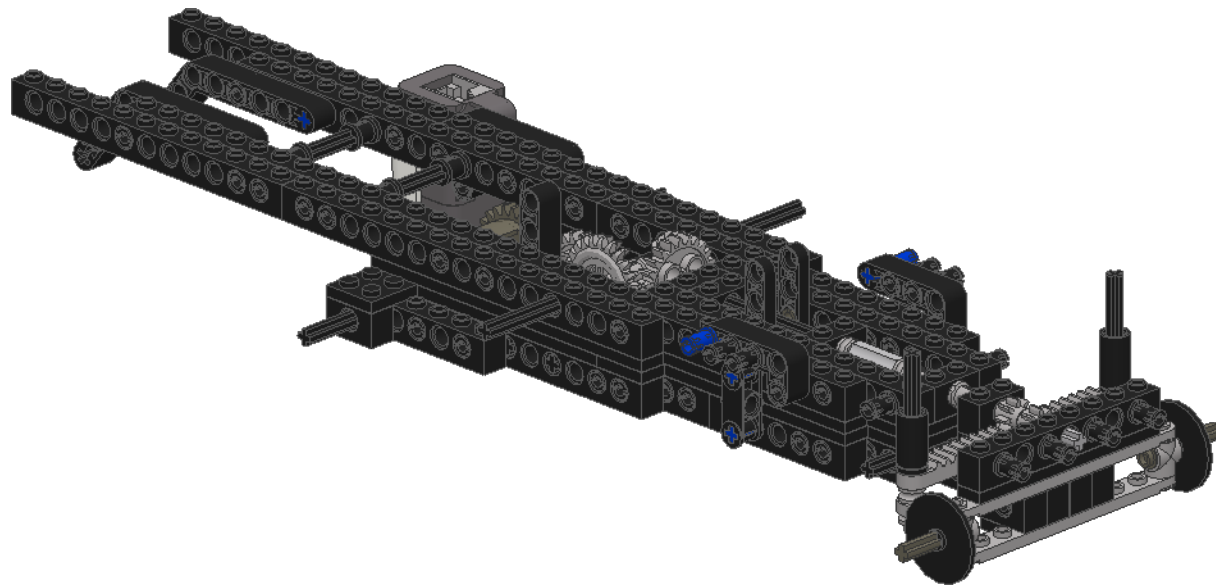
26



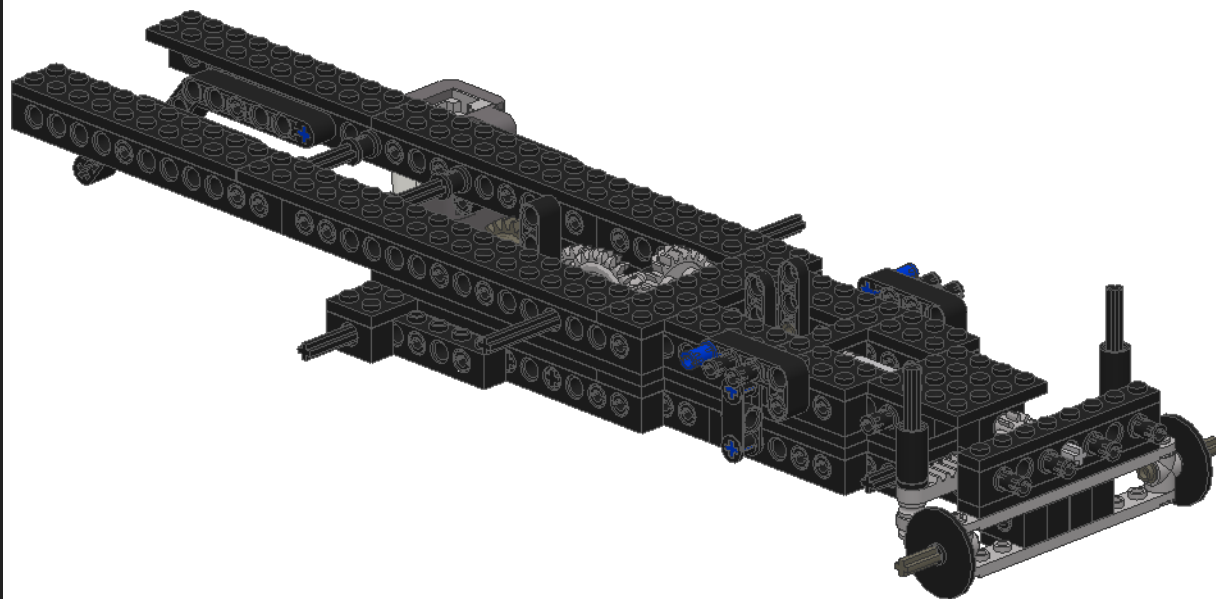
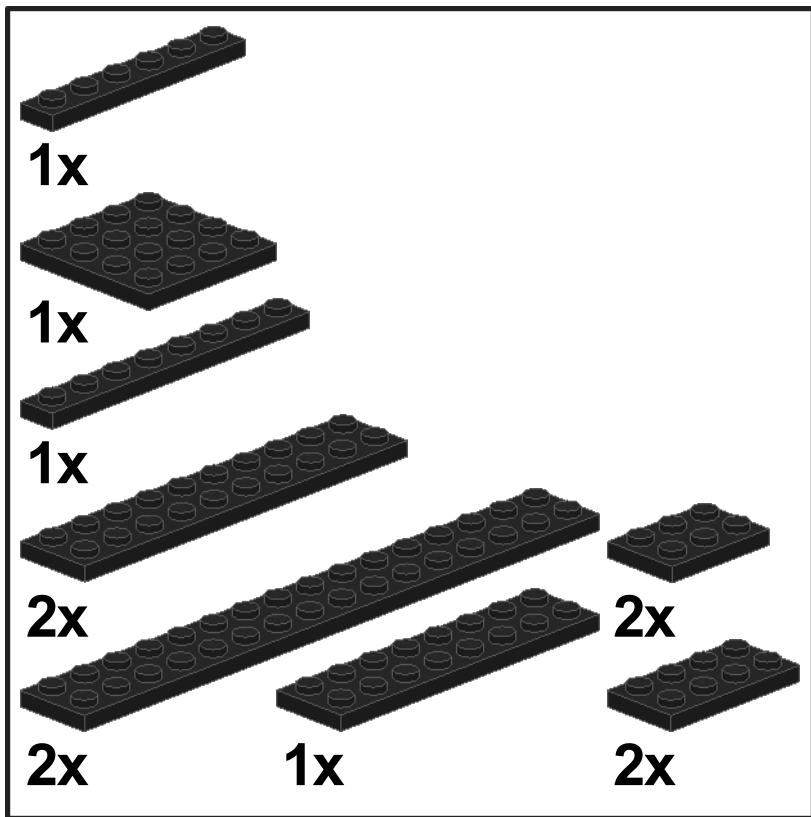
27



28

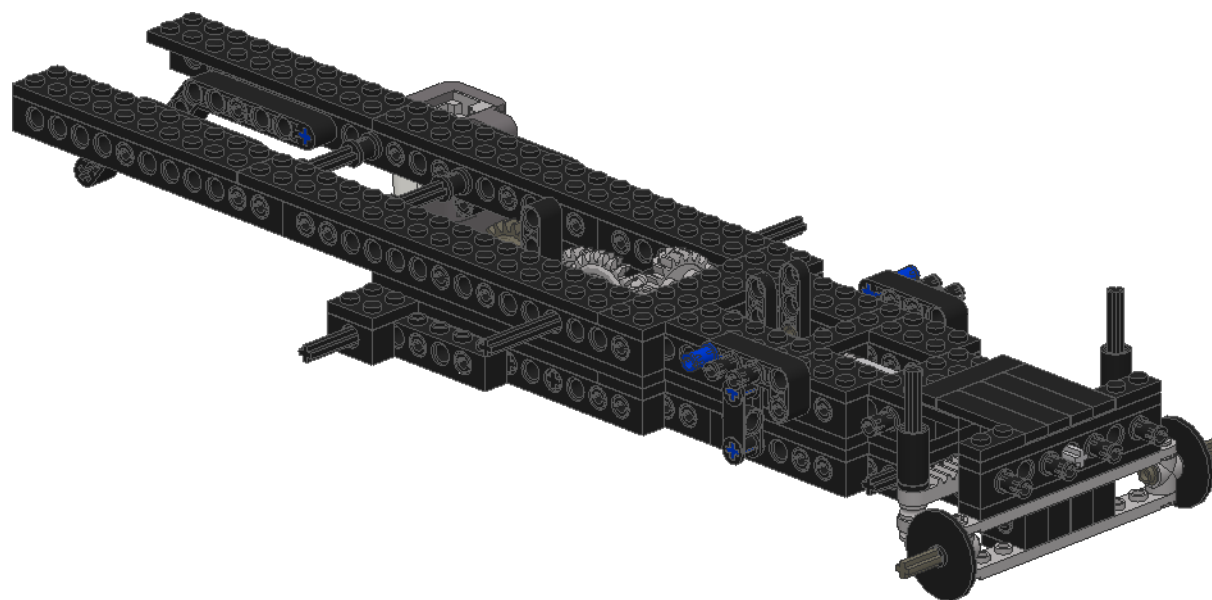
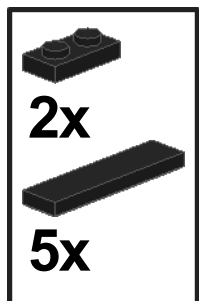


29

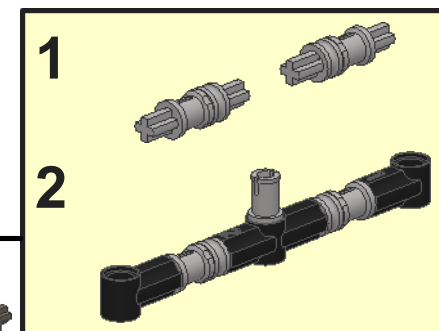
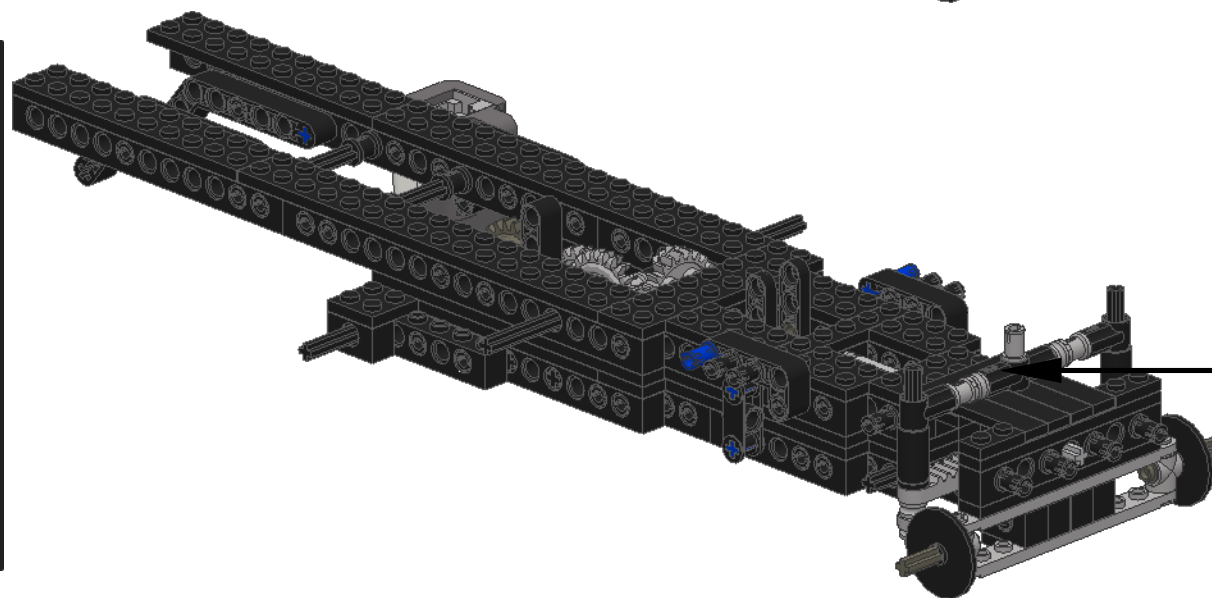
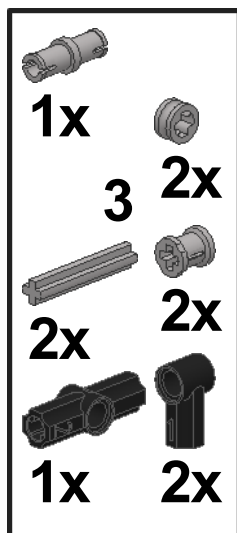


20

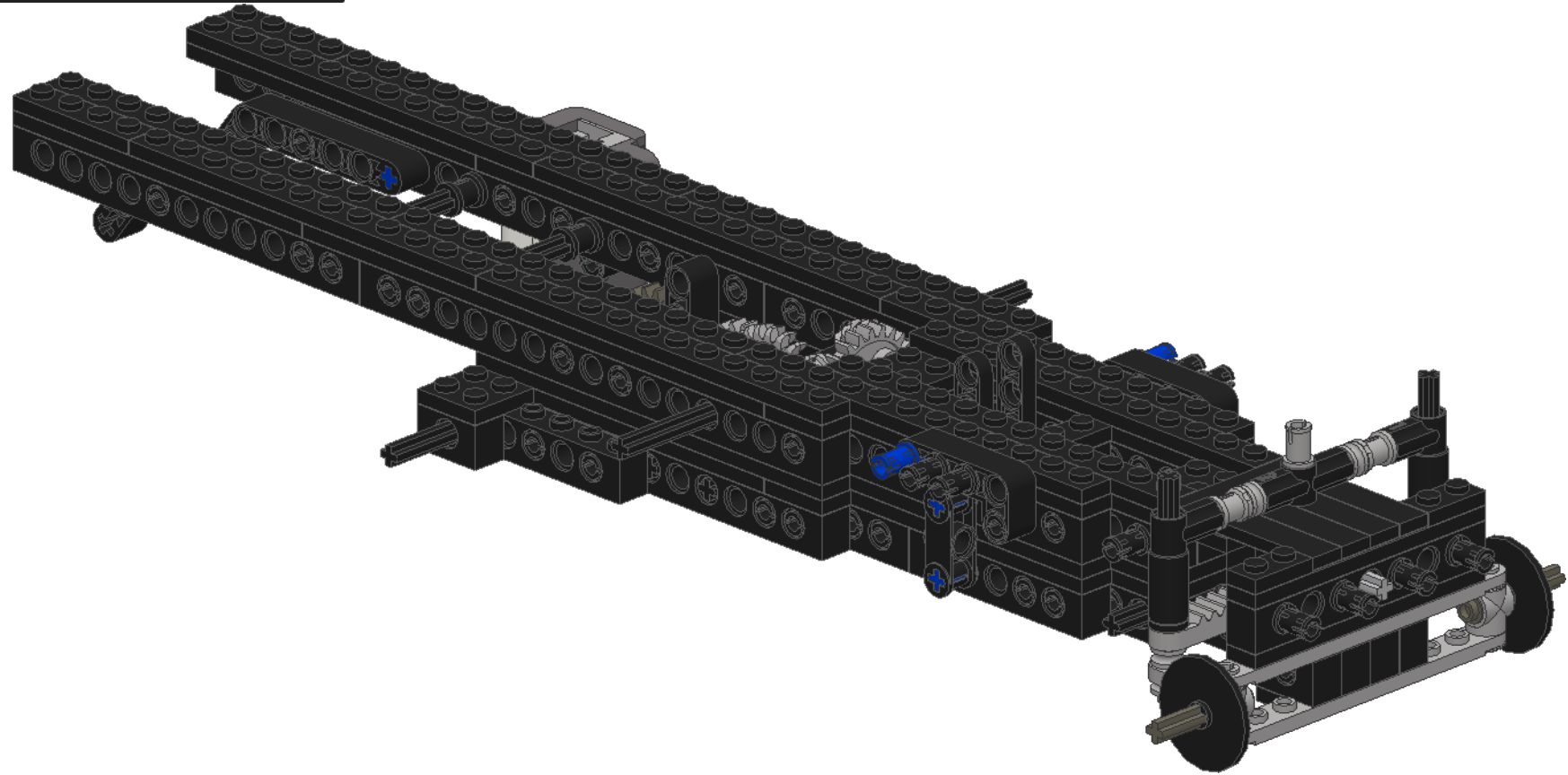
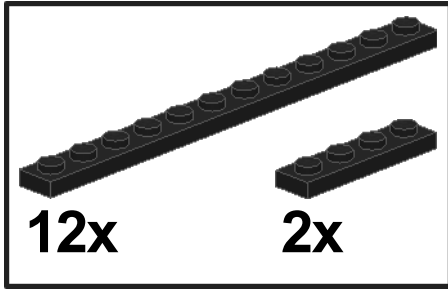
30



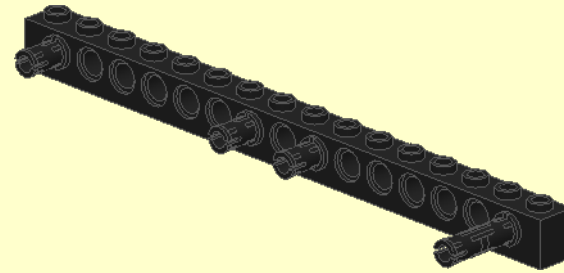
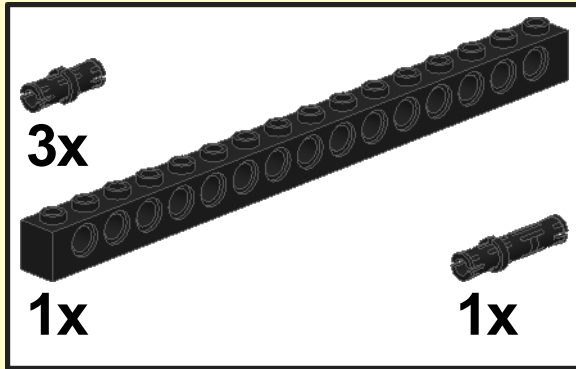
31



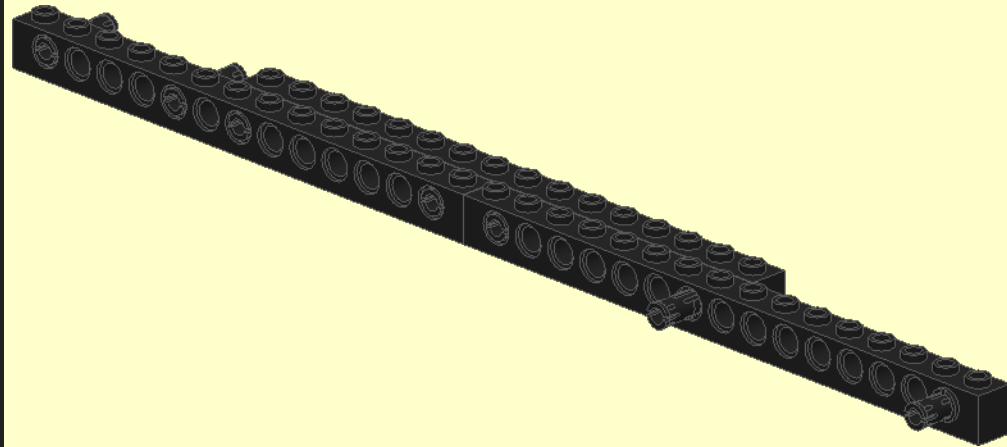
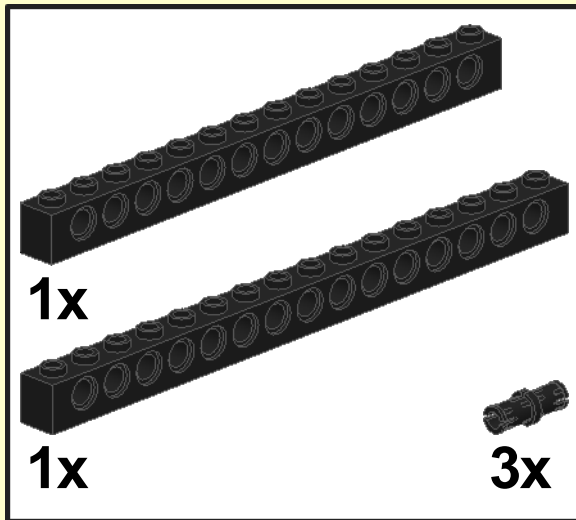
32



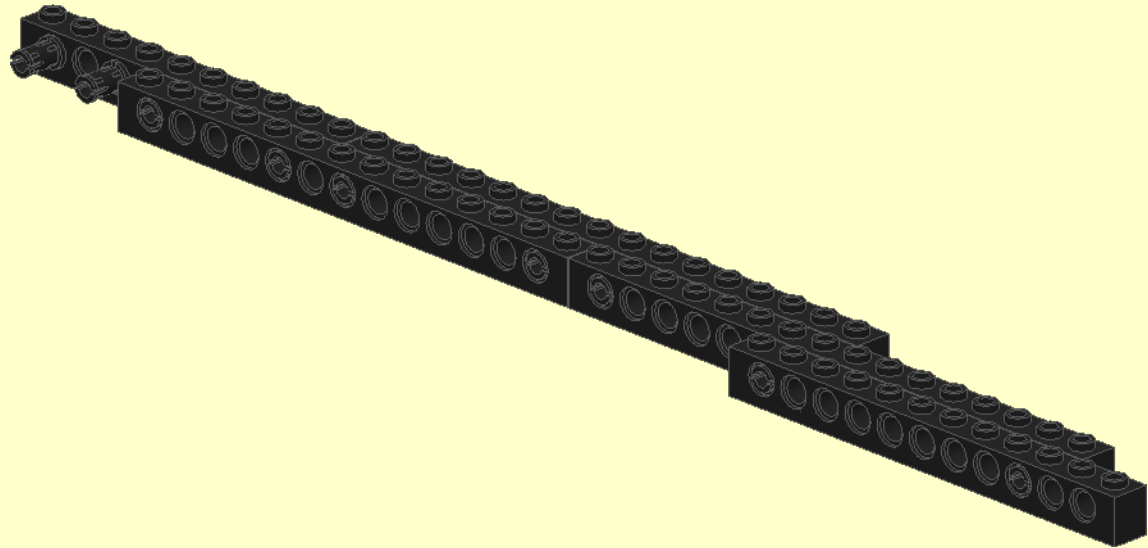
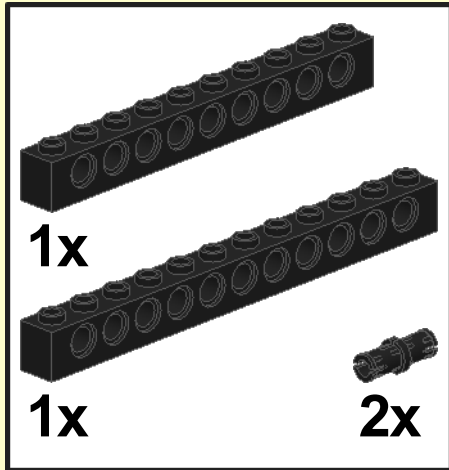
1



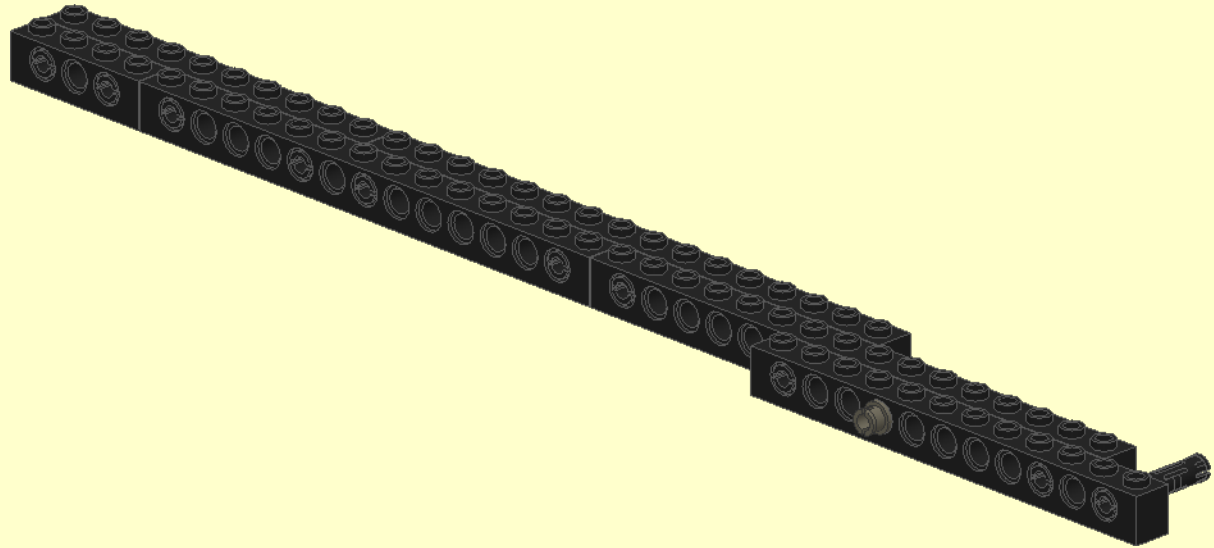
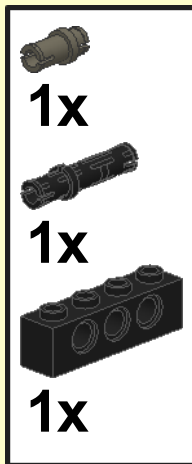
2

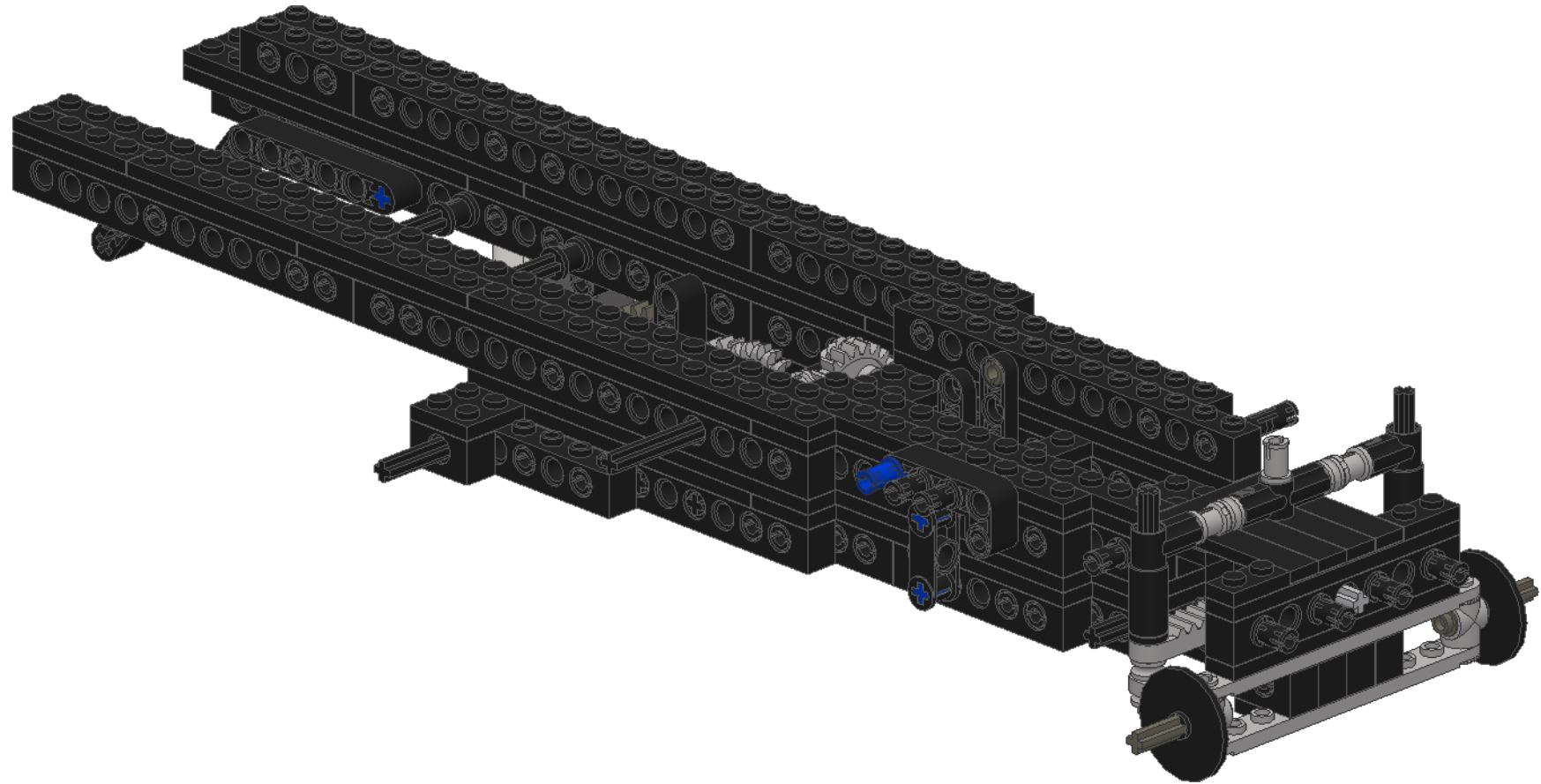


3

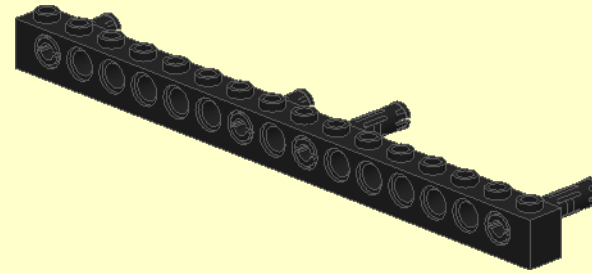
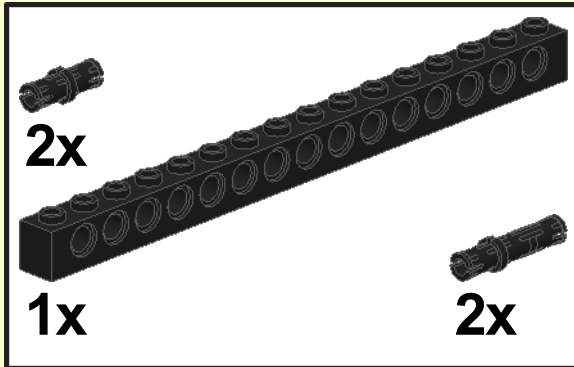


4

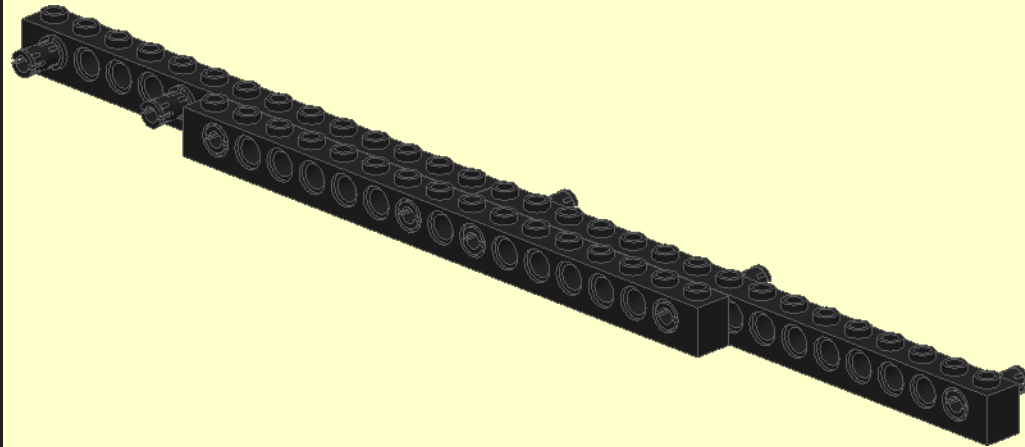
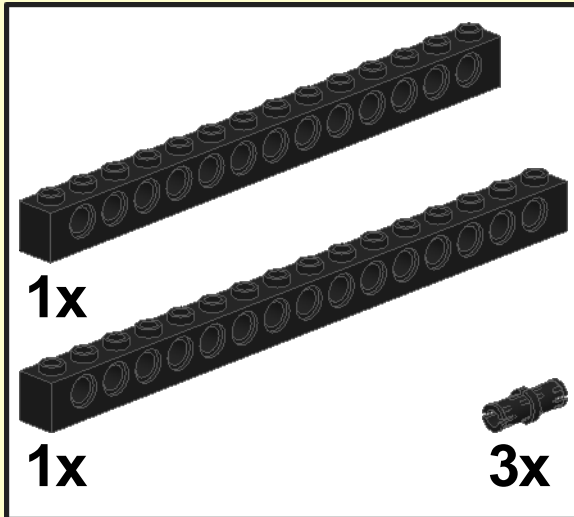




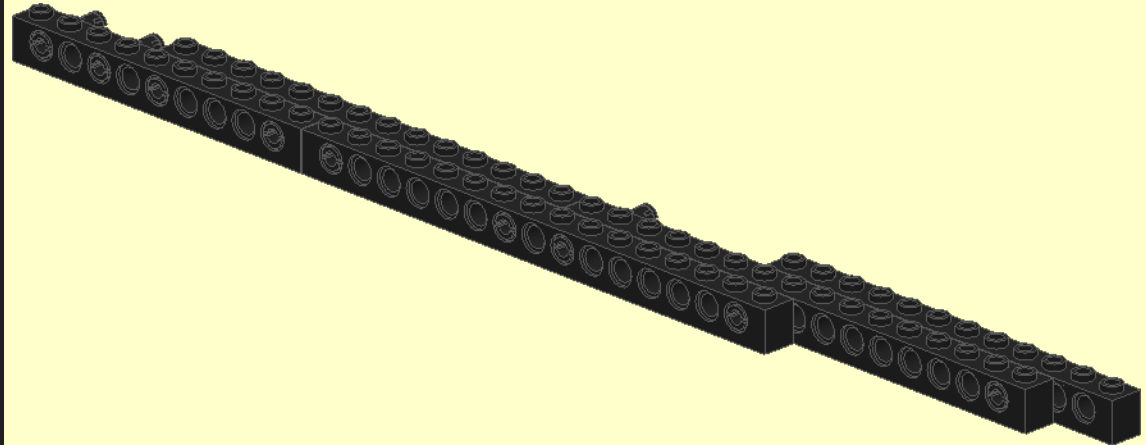
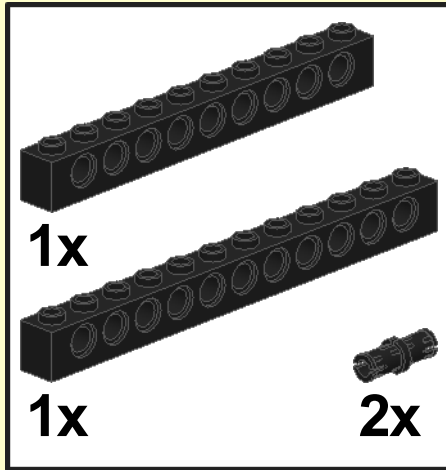
1



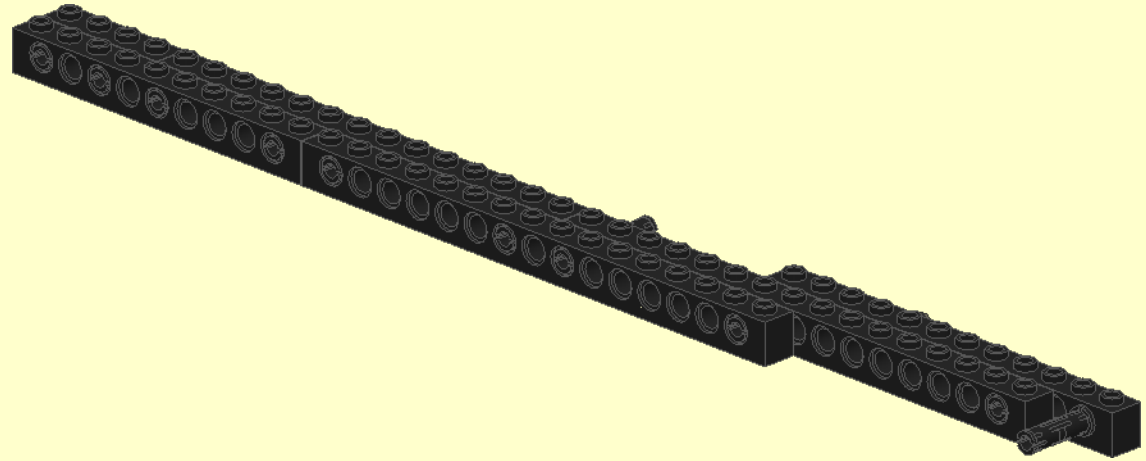
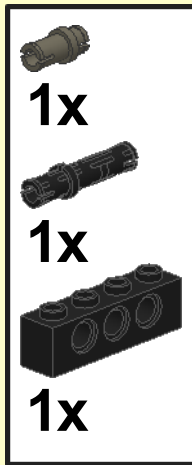
2

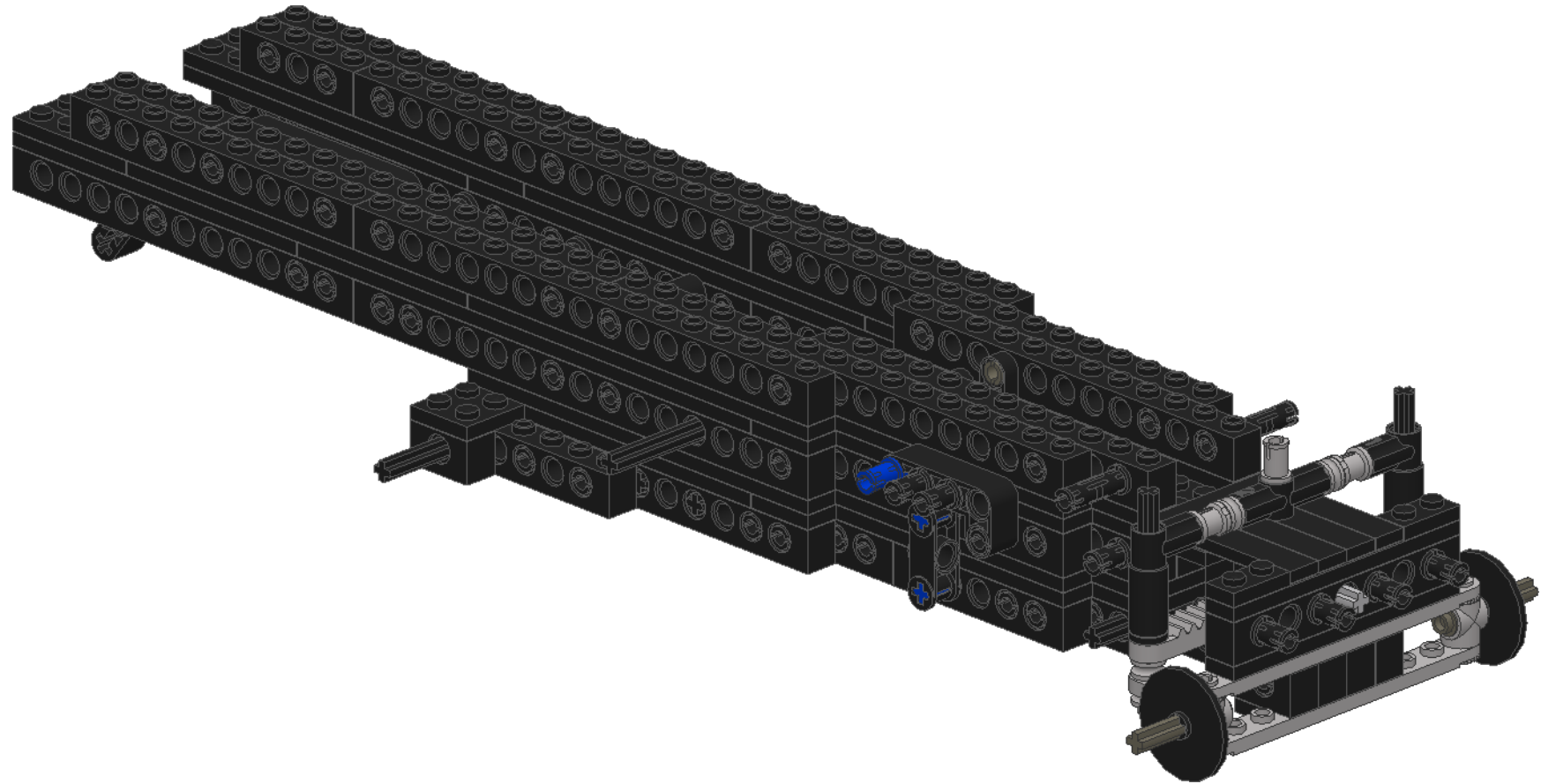


3

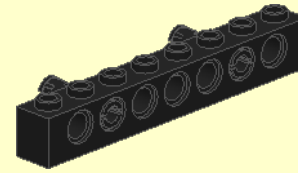
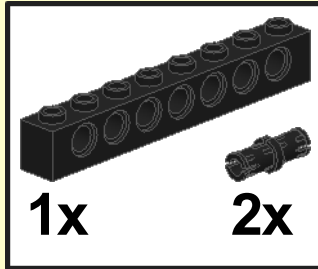


4

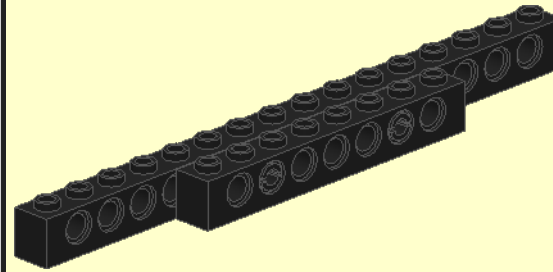
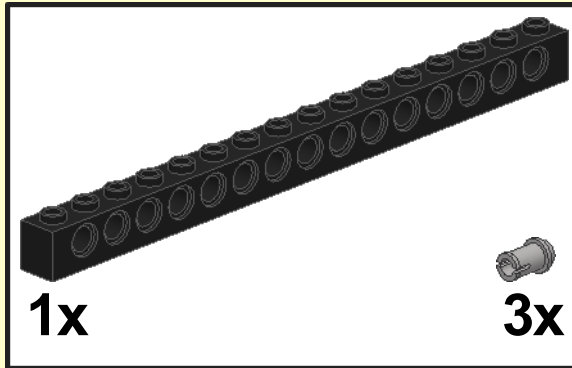




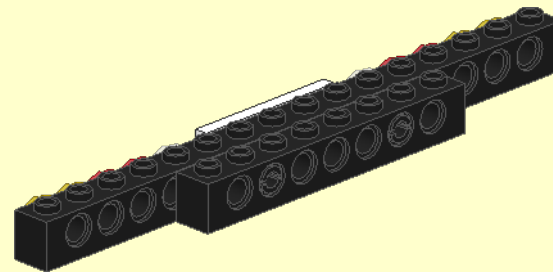
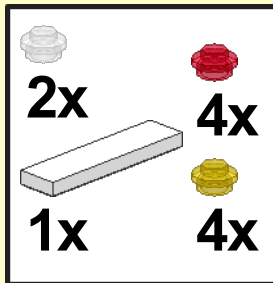
1

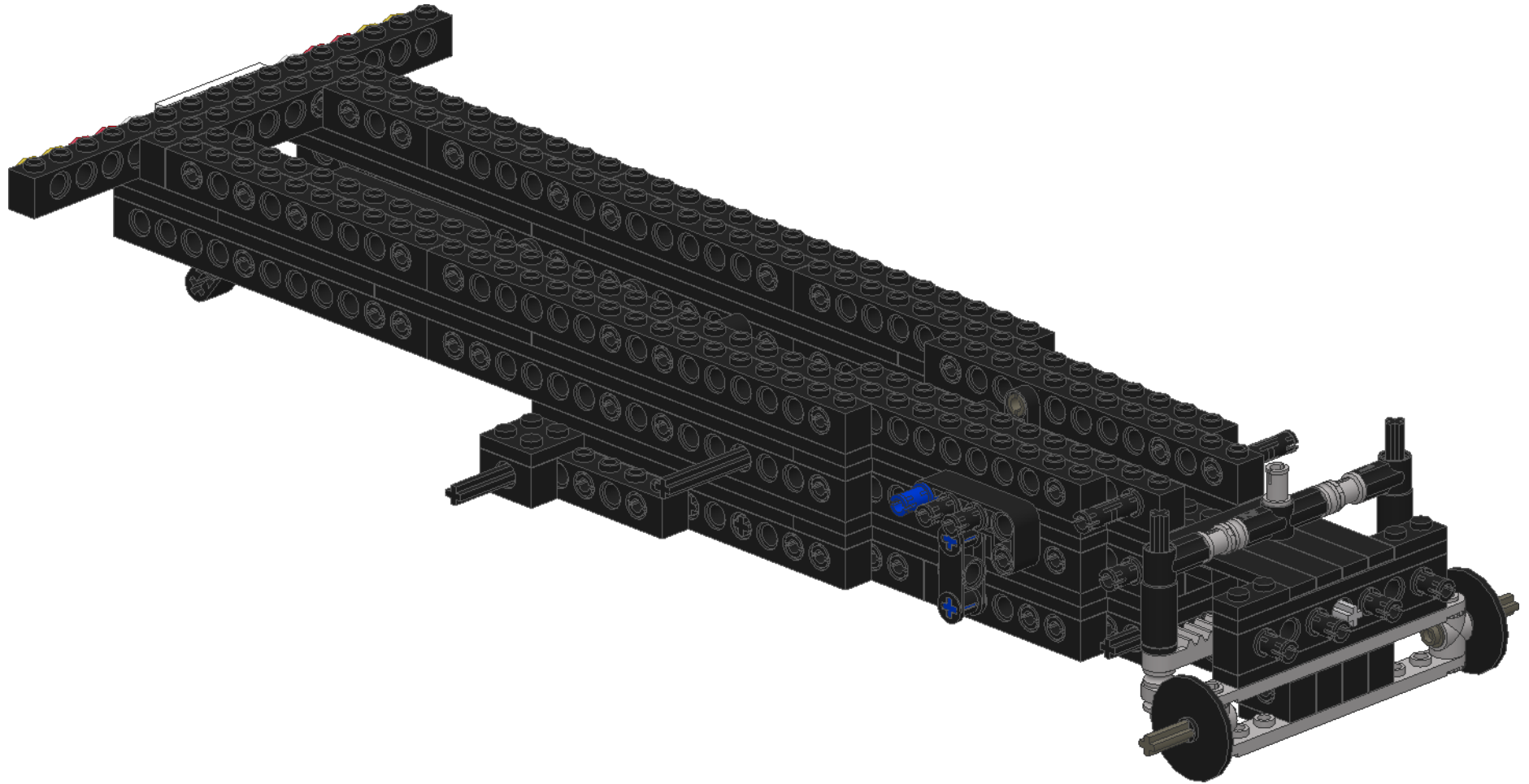


2

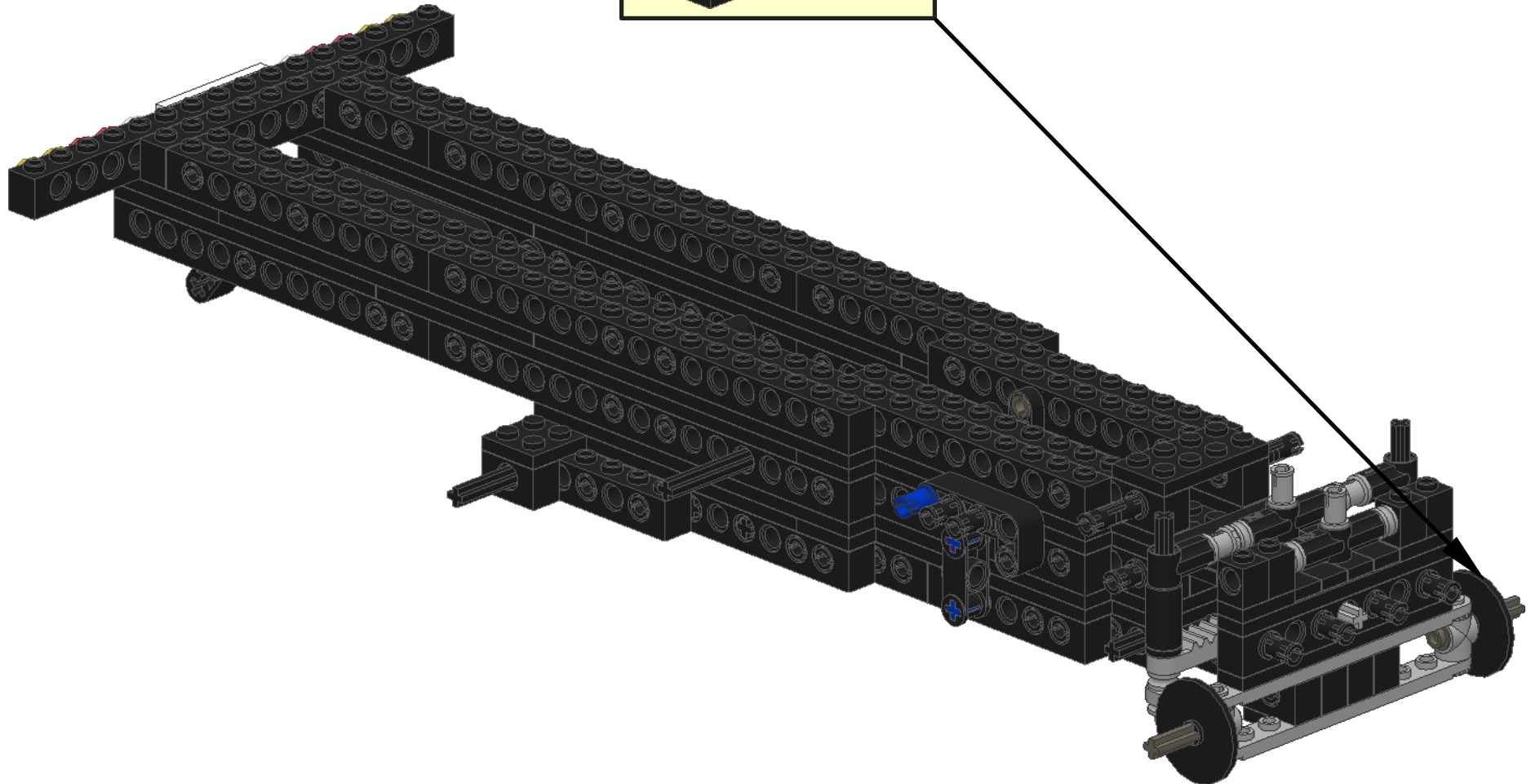
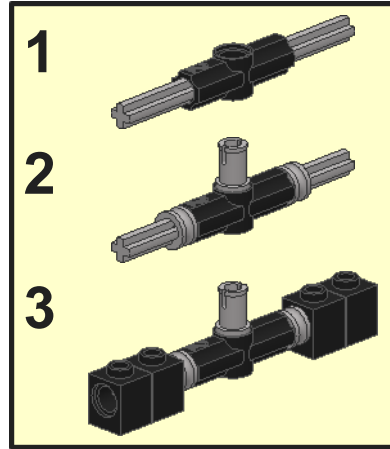
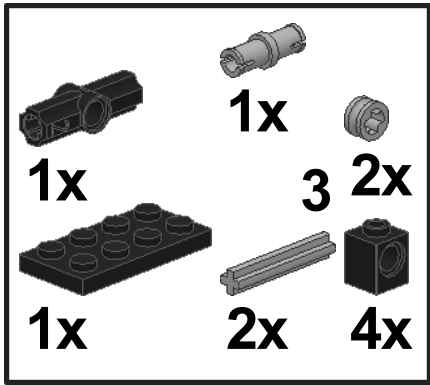


3



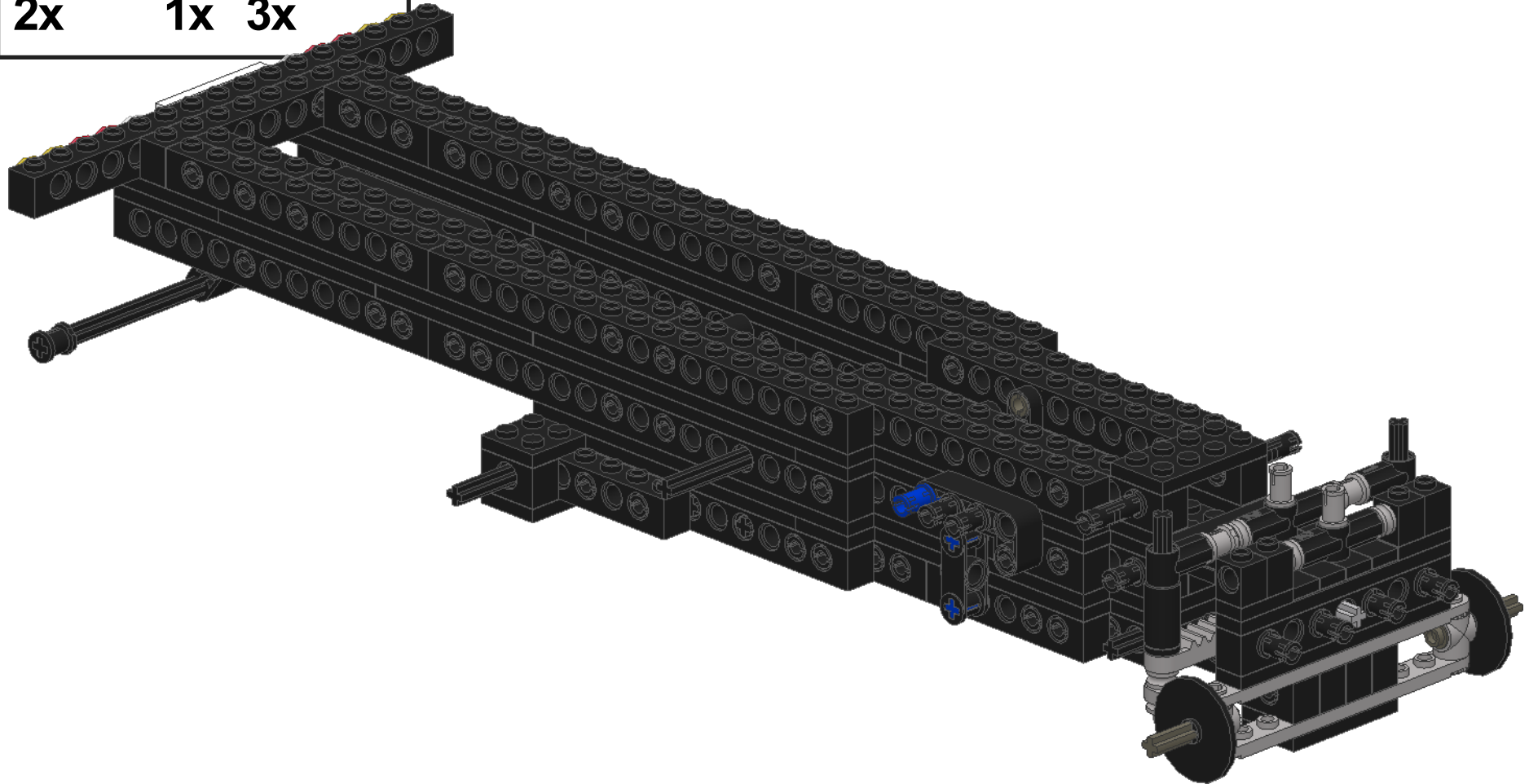
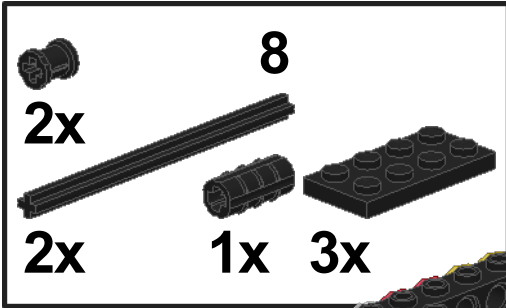


36

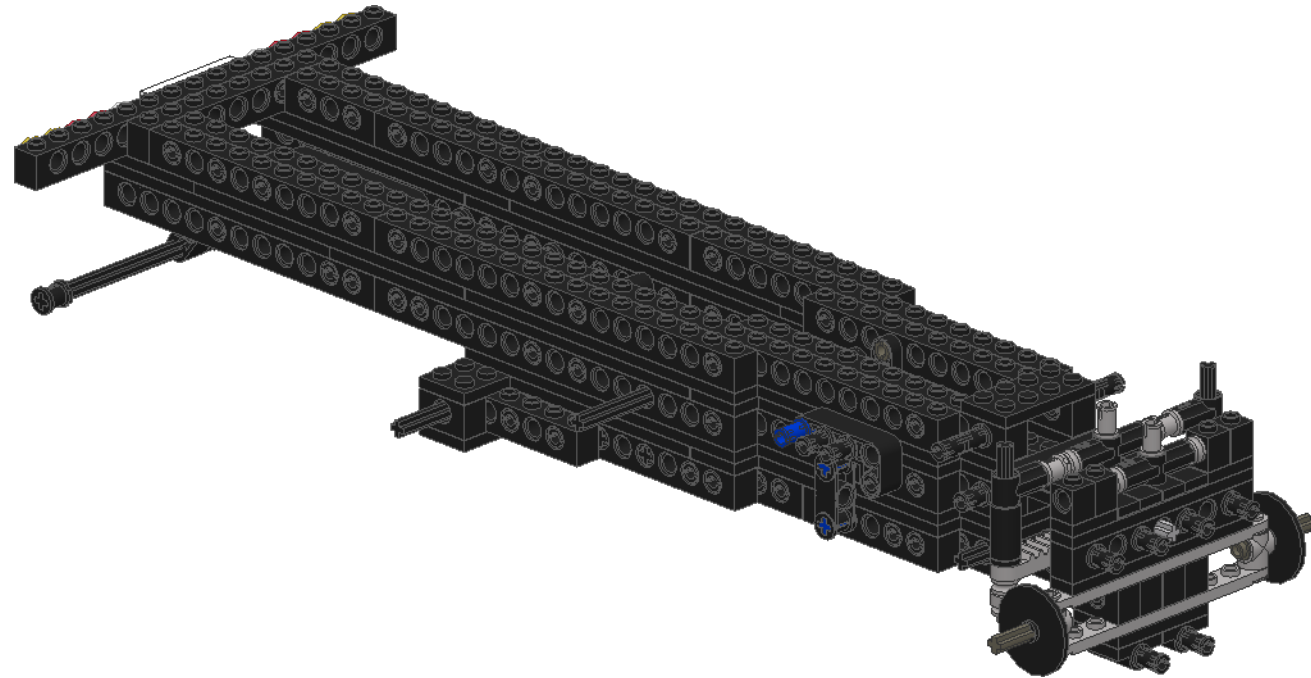
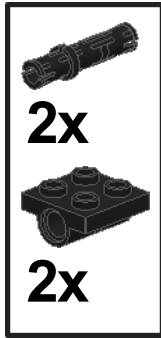


31

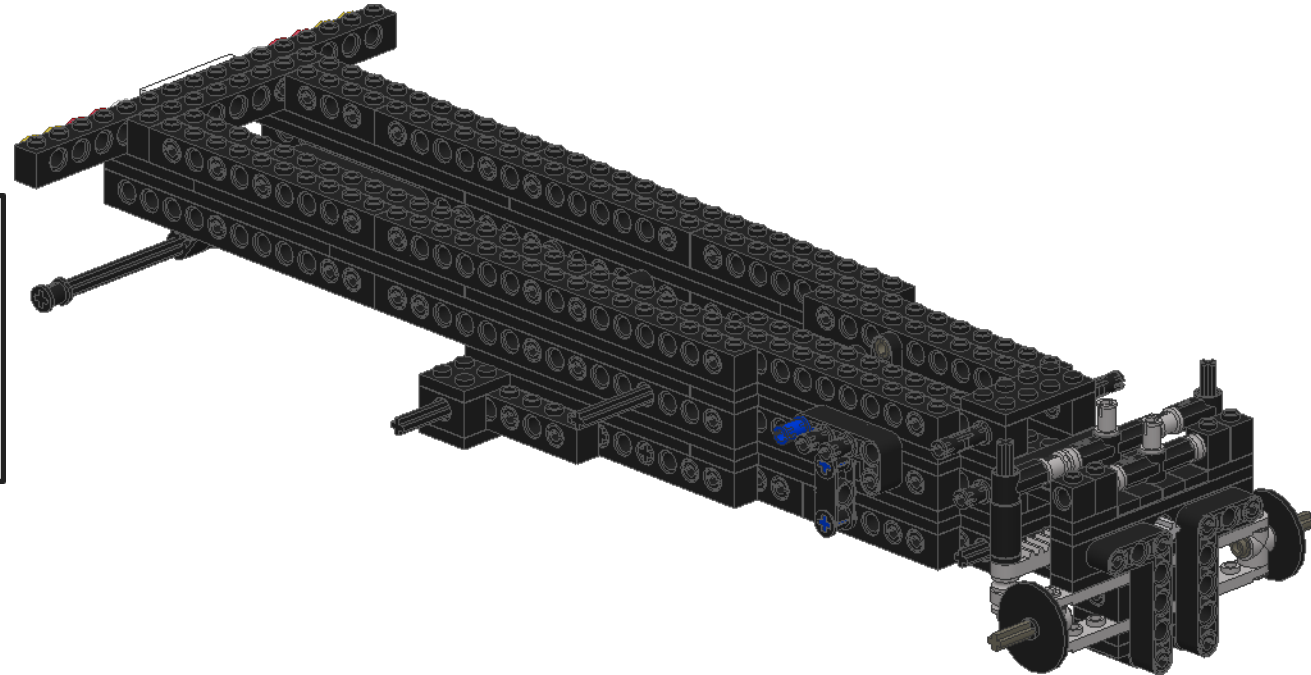
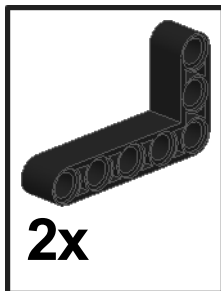
37



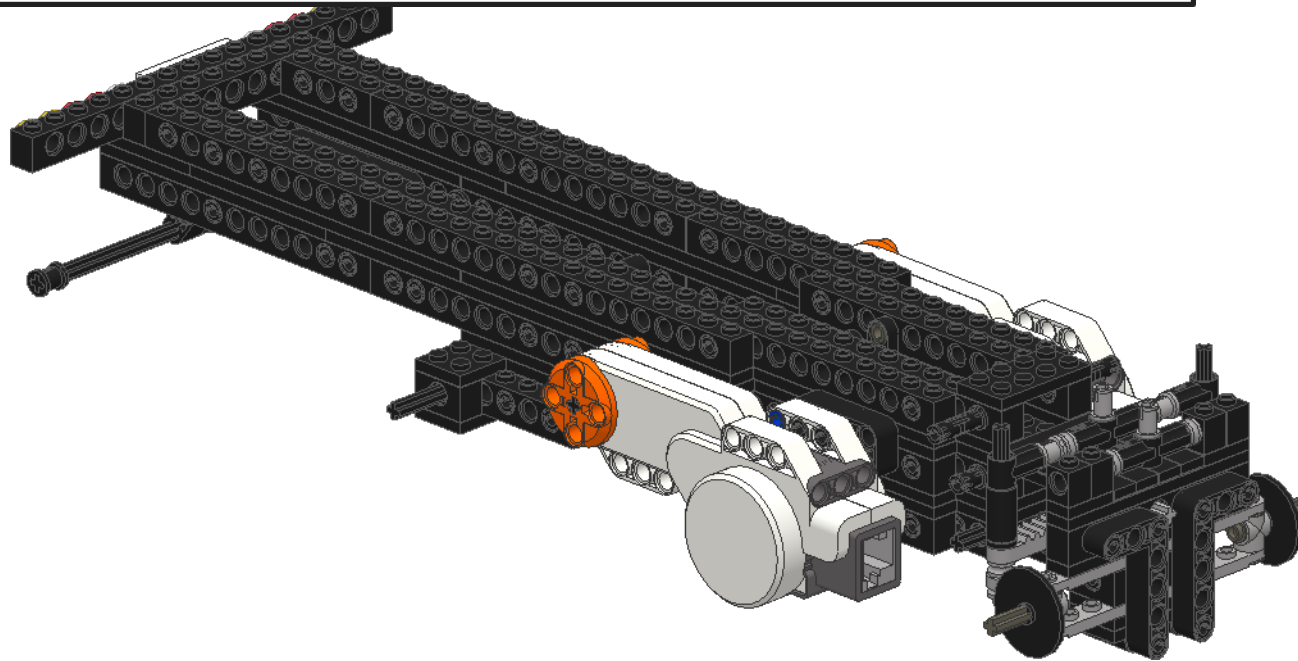
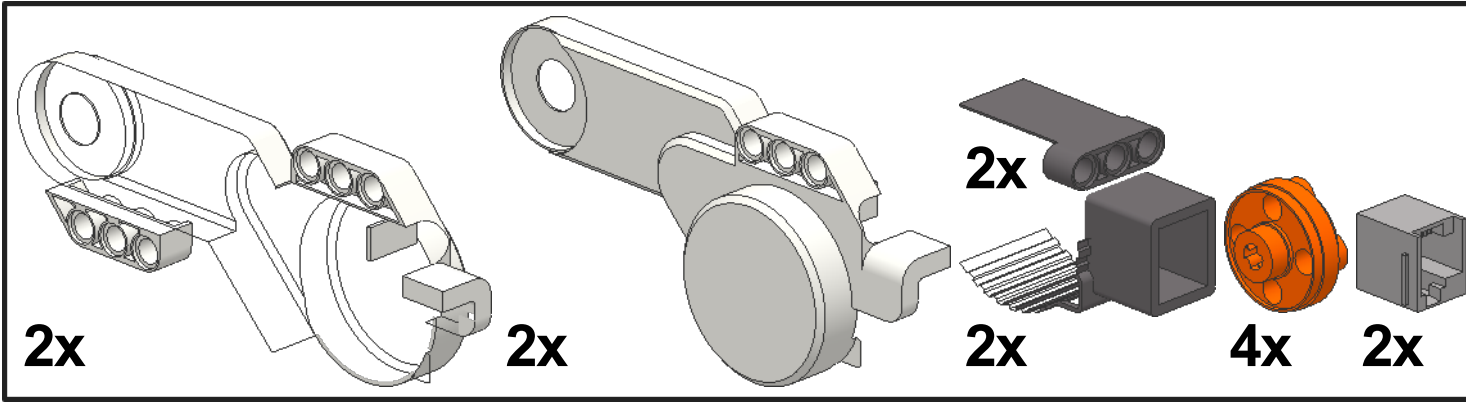
38



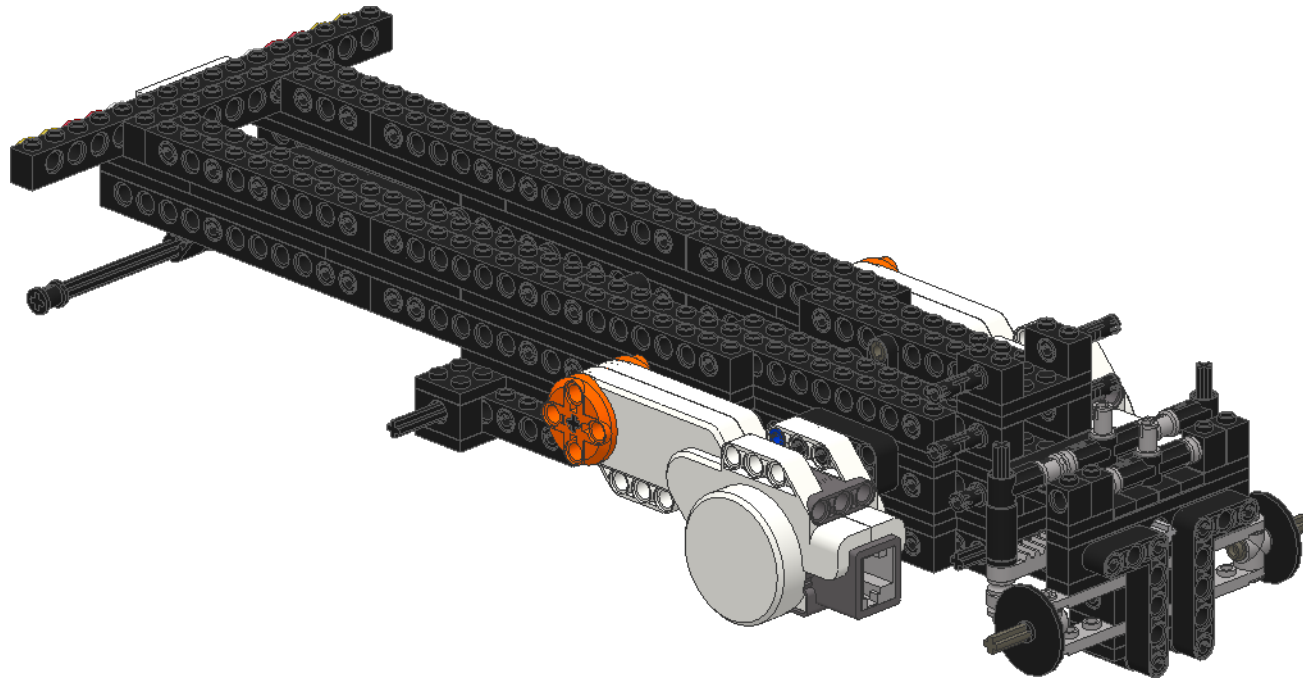
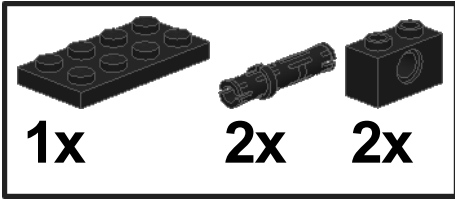
39



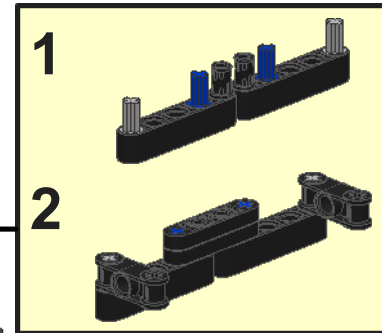
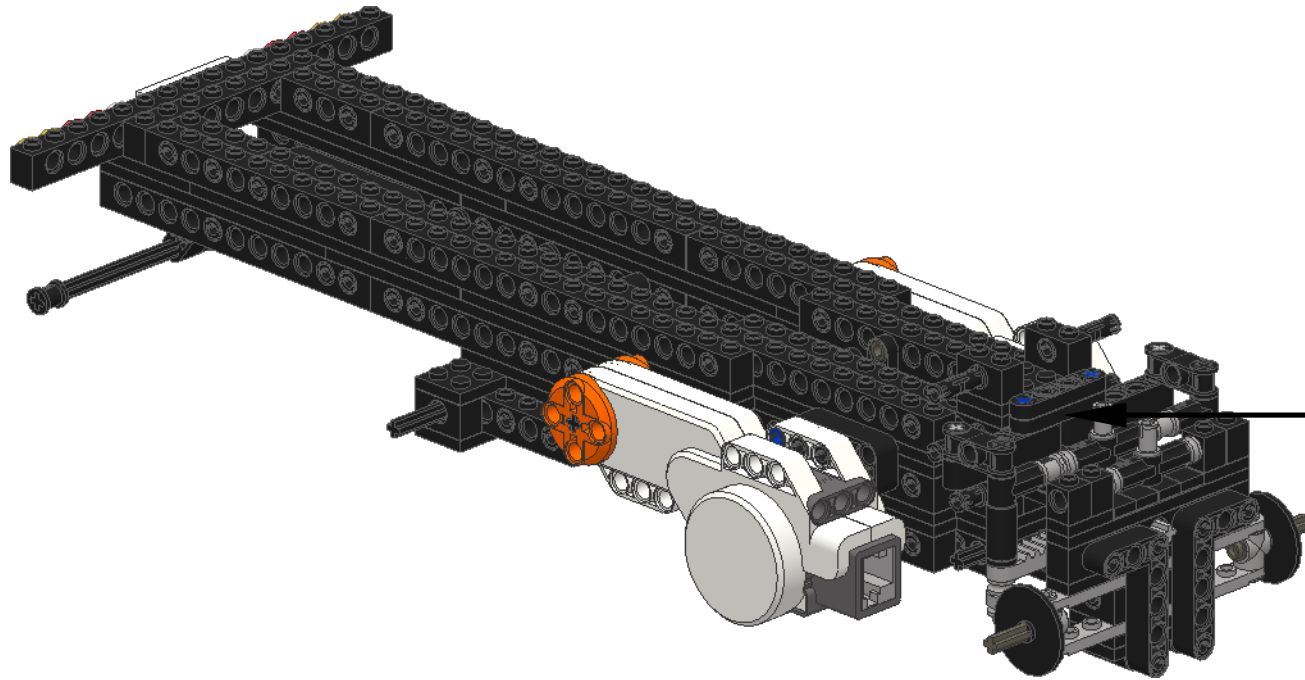
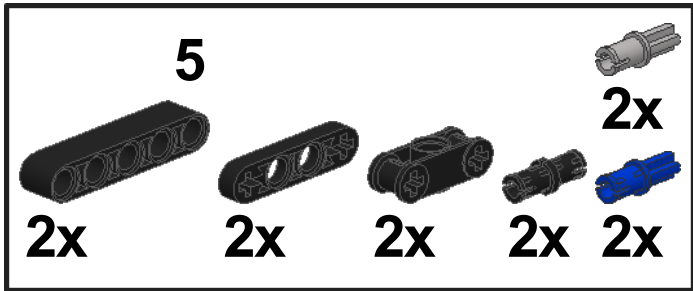
40



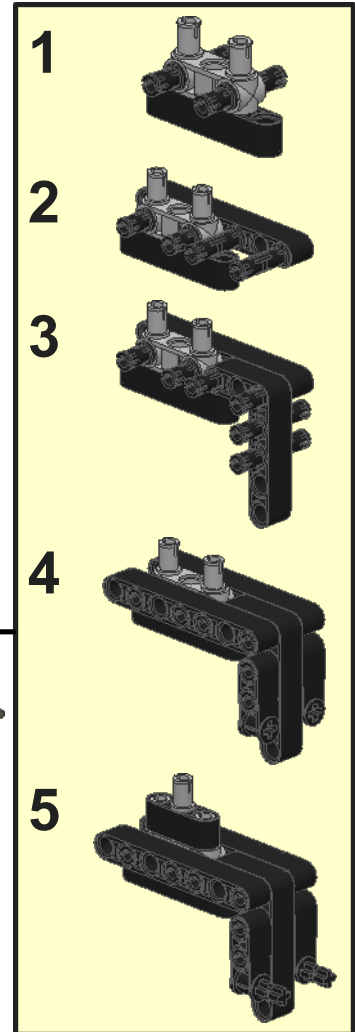
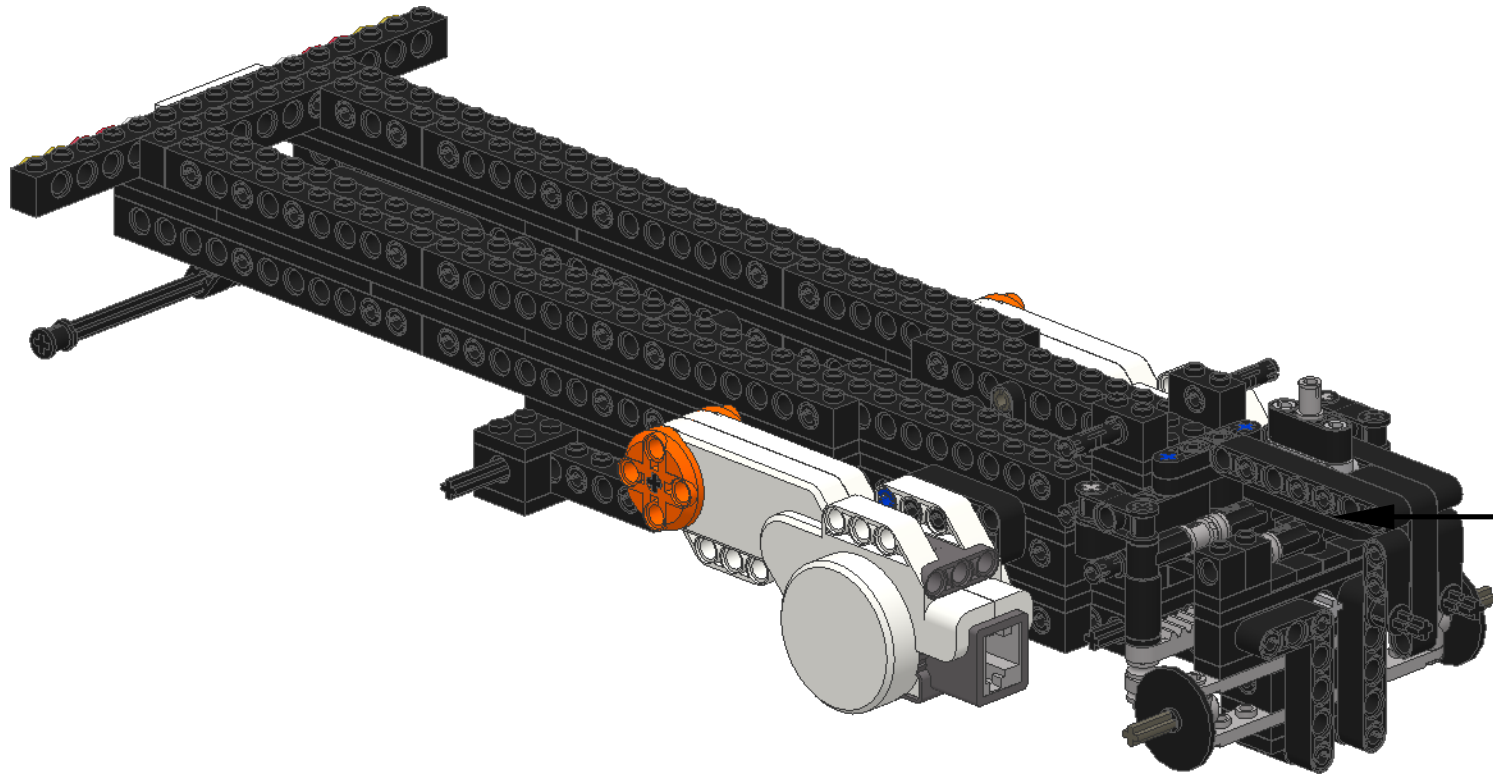
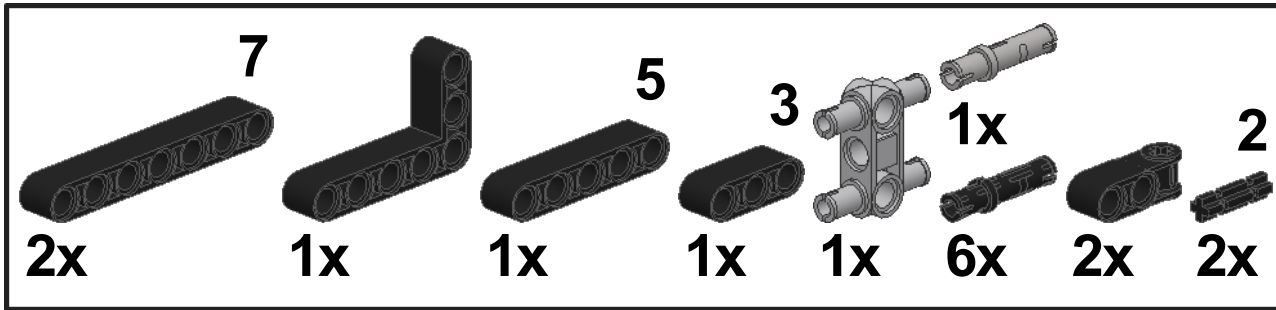
41



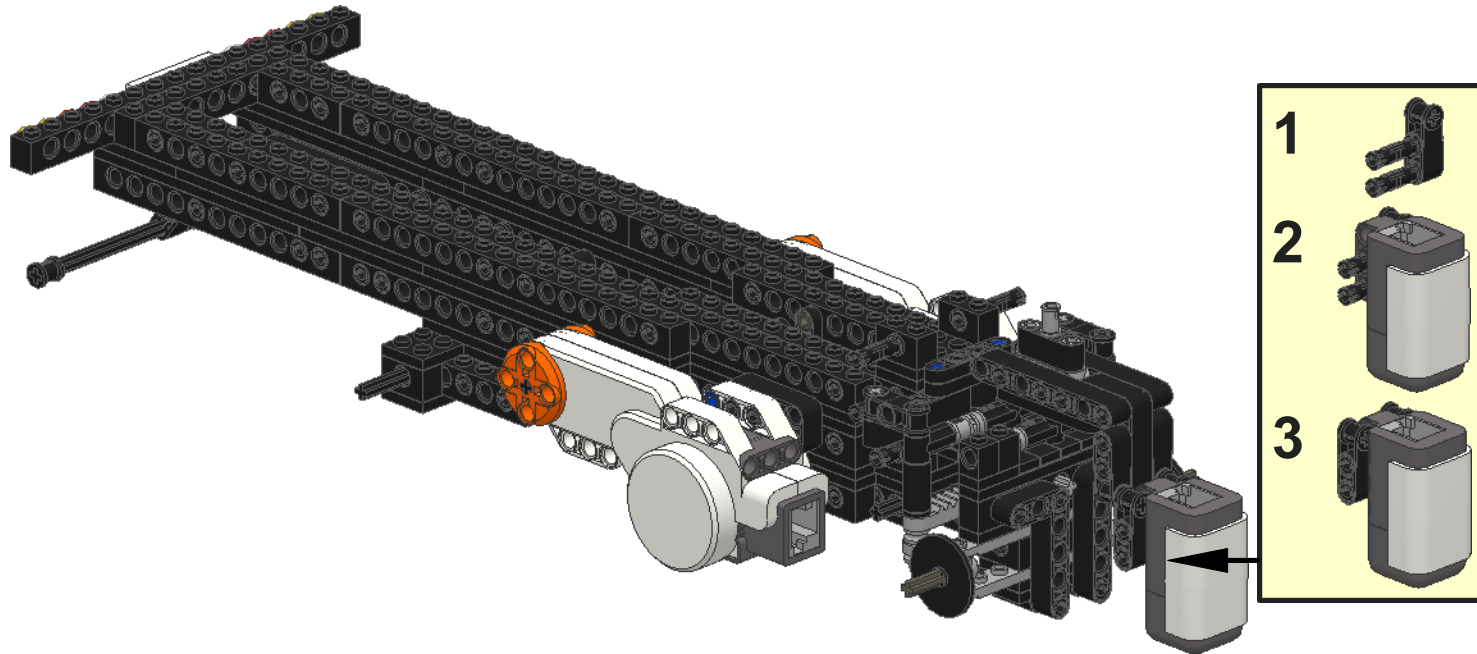
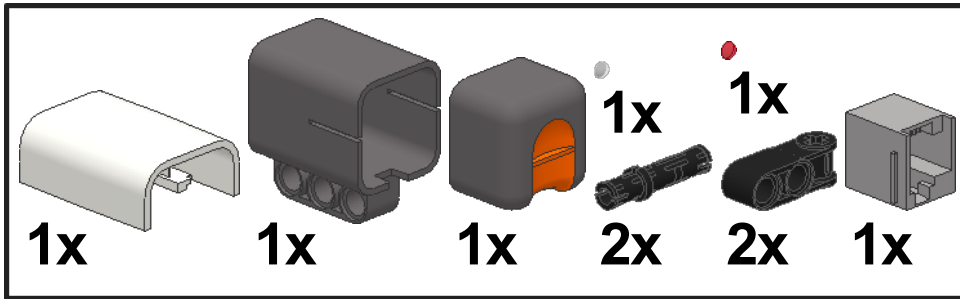
42



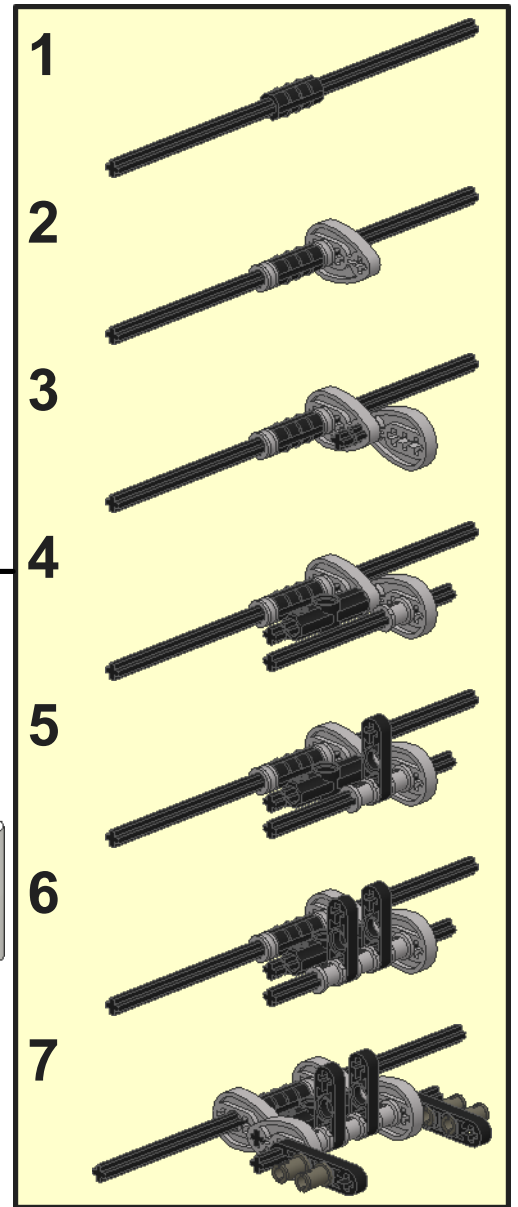
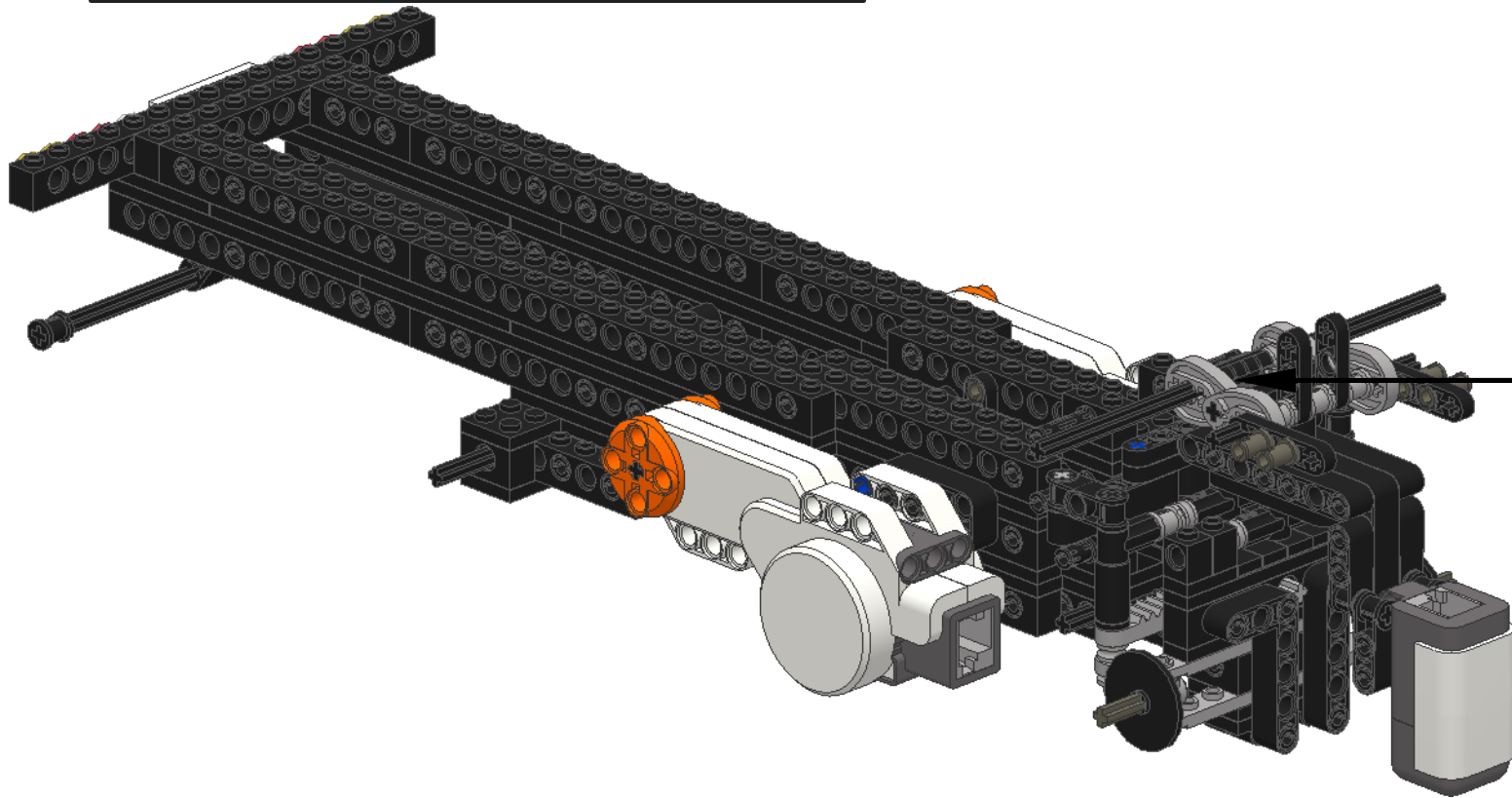
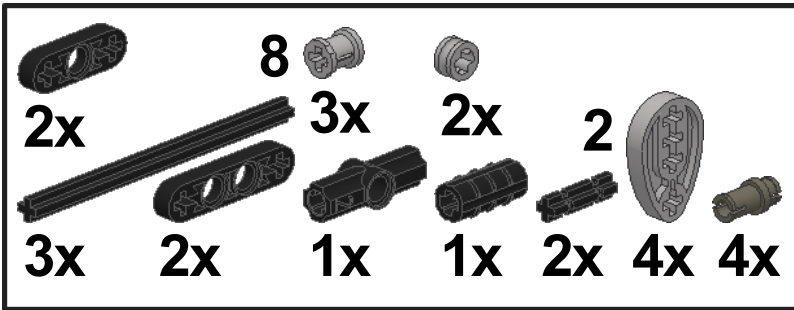
43



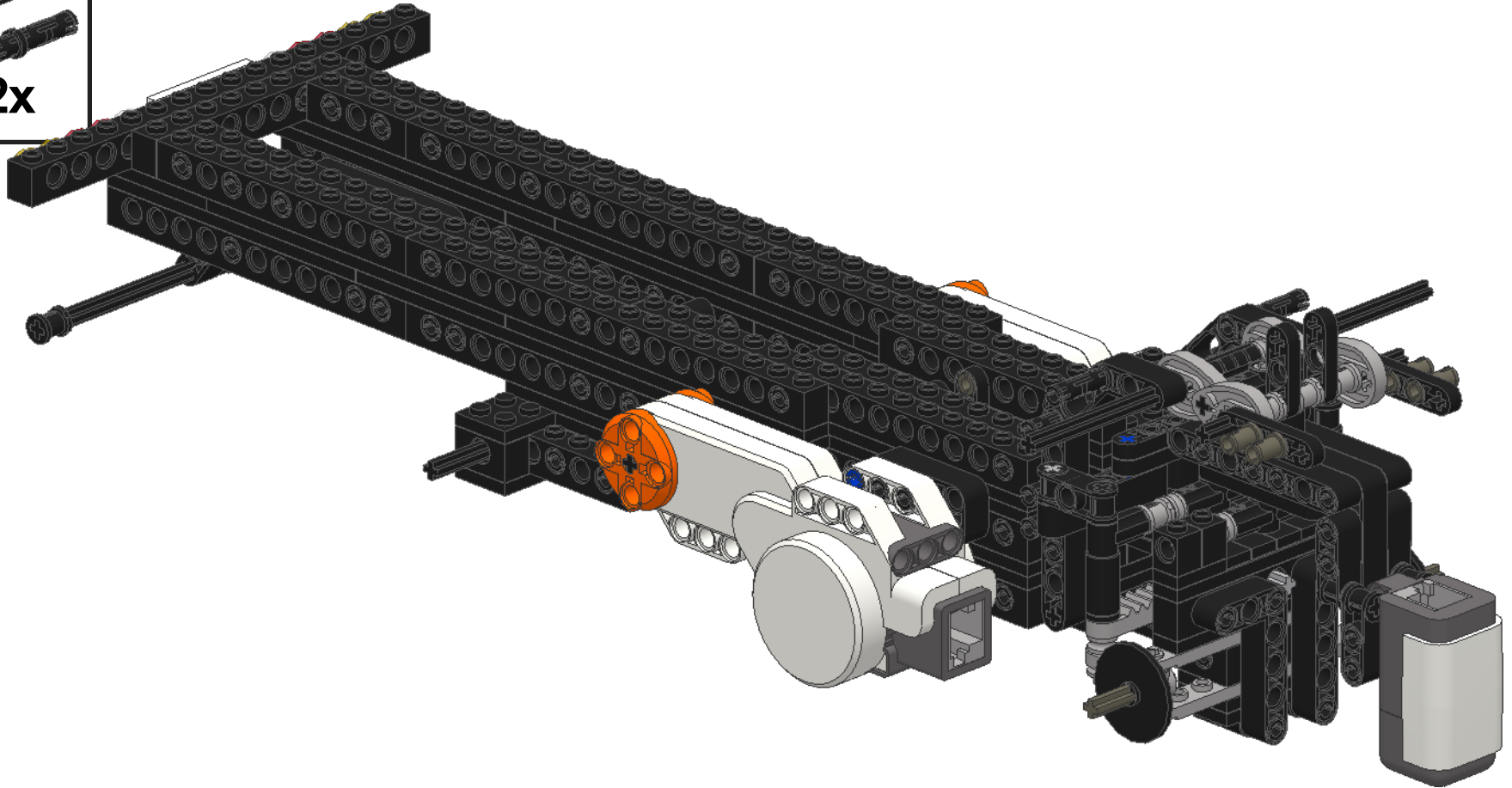
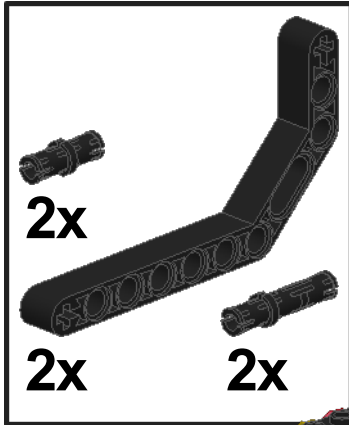
44



45



46



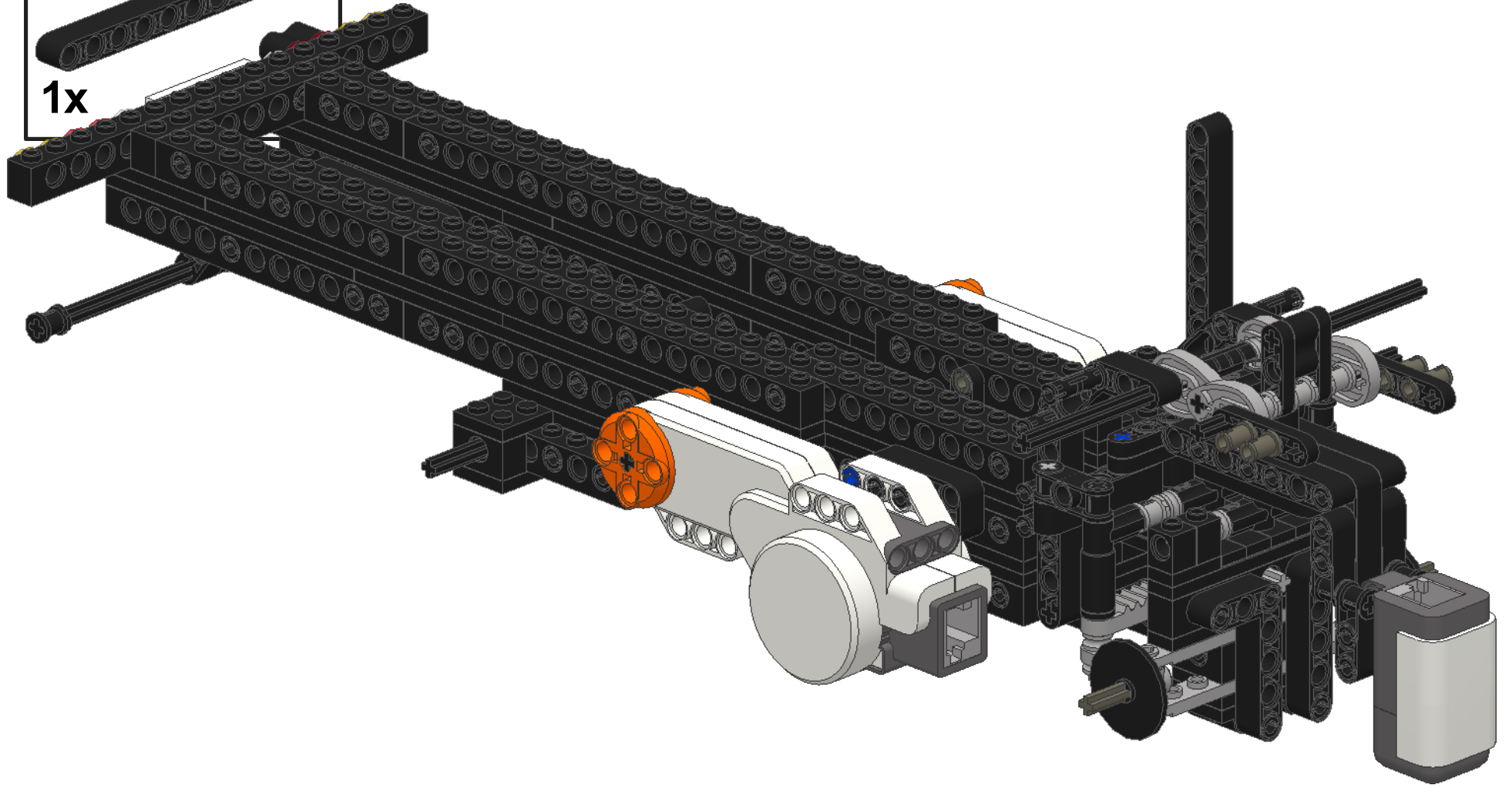
47

2

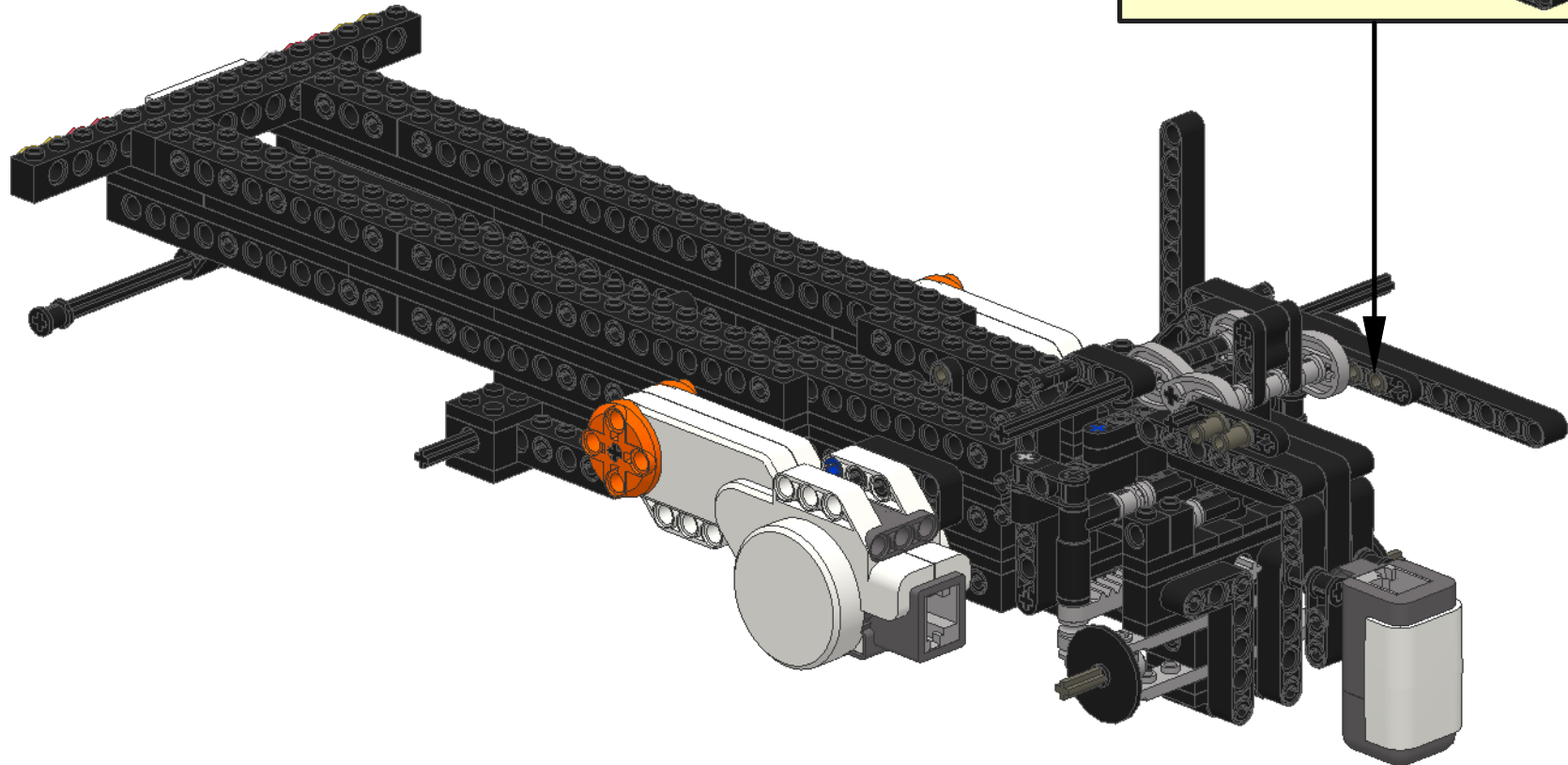
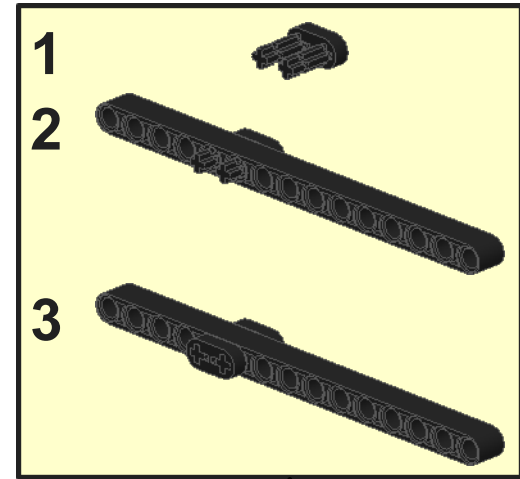
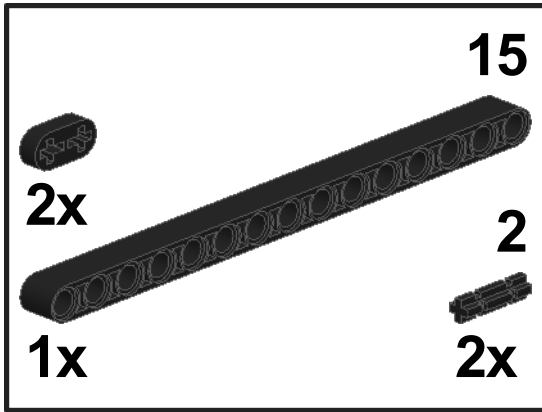
11

1x

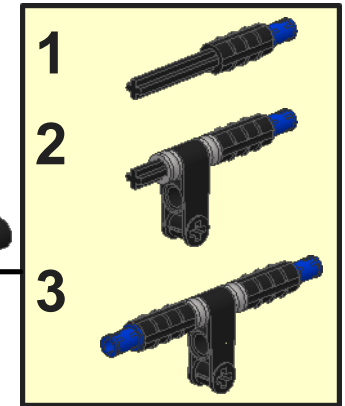
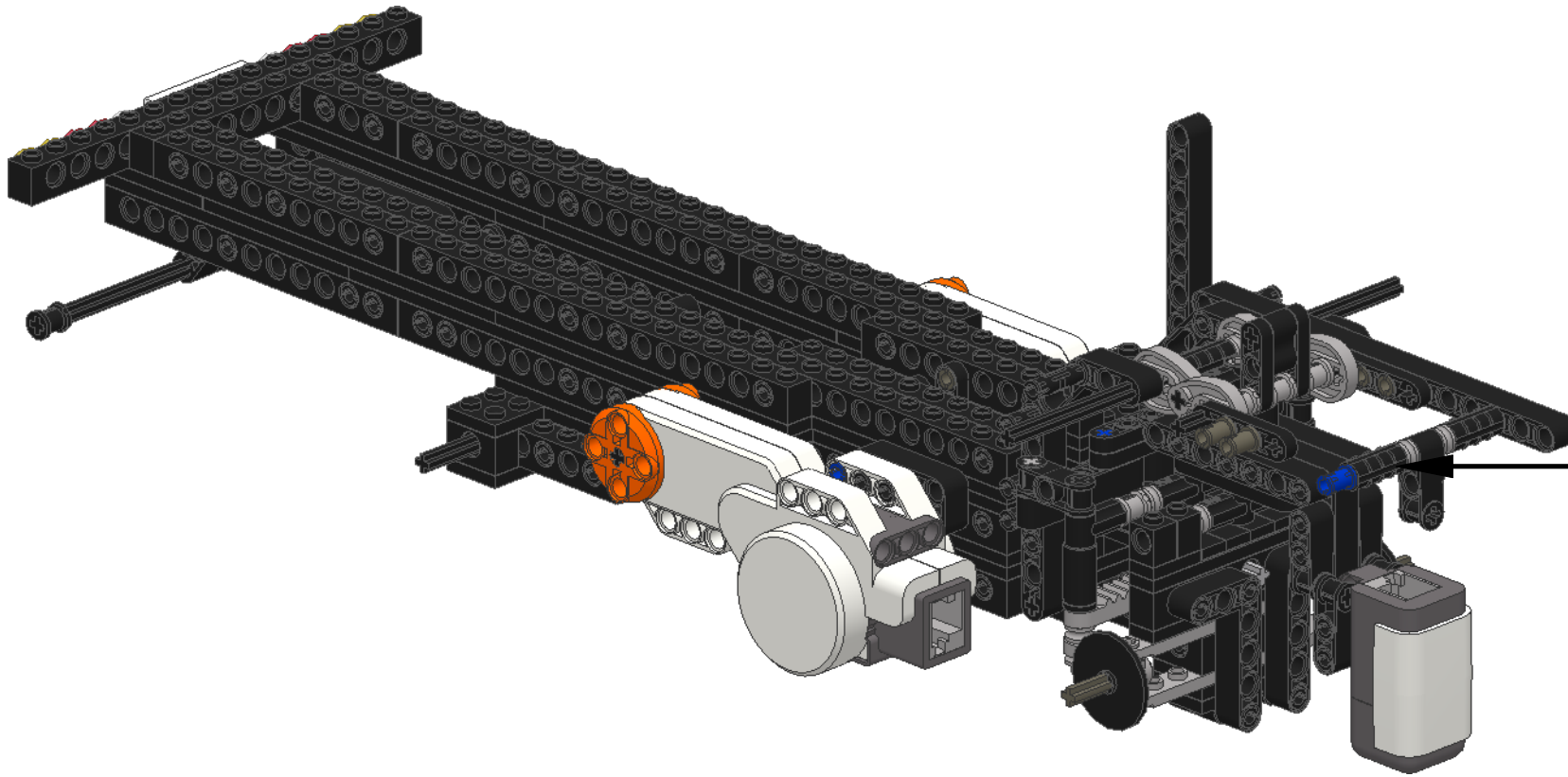
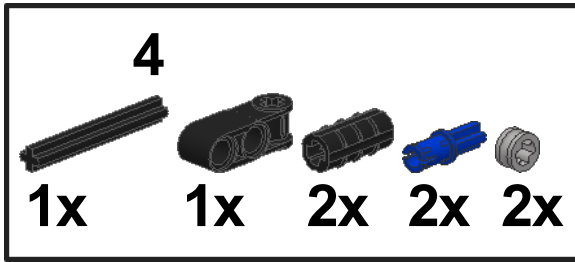
1x



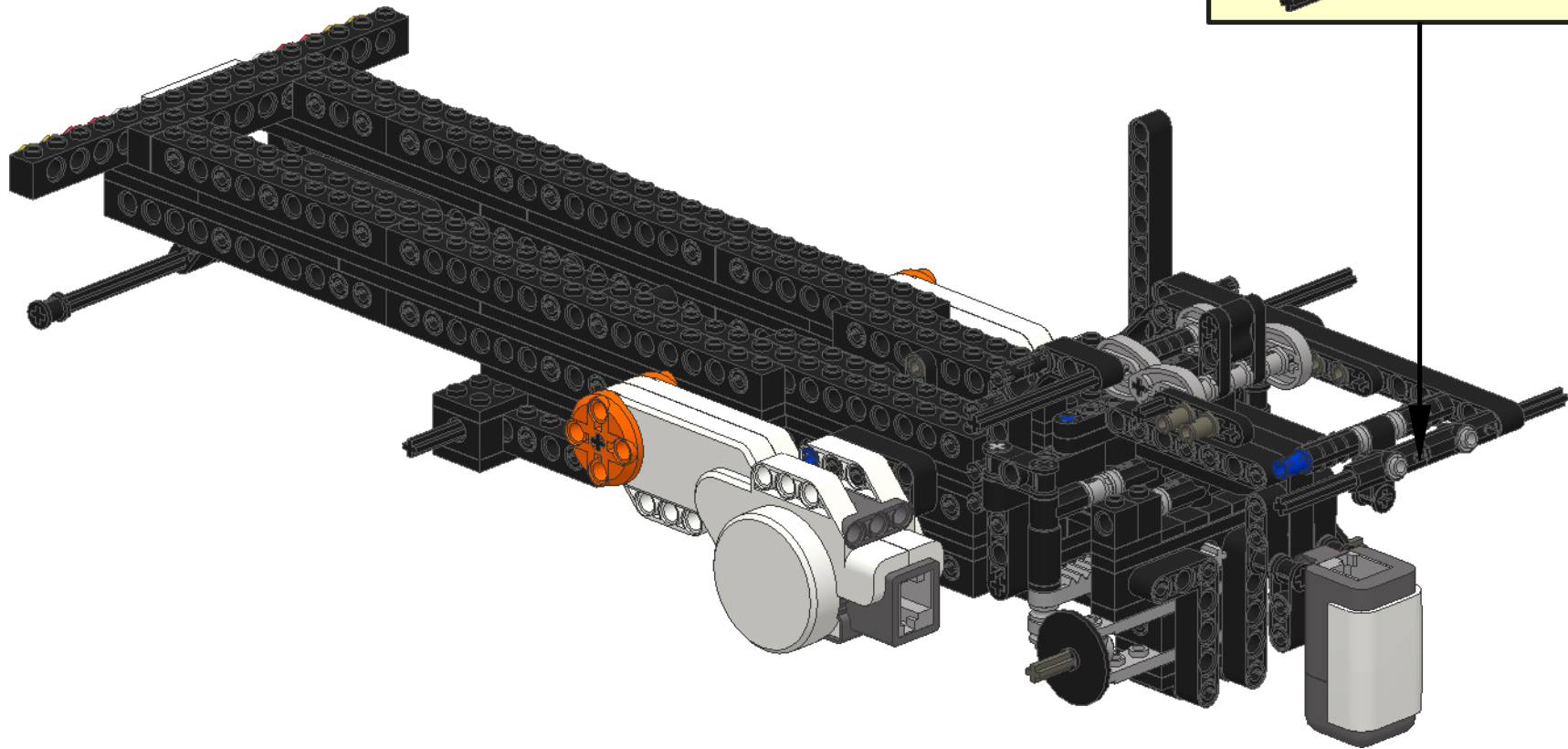
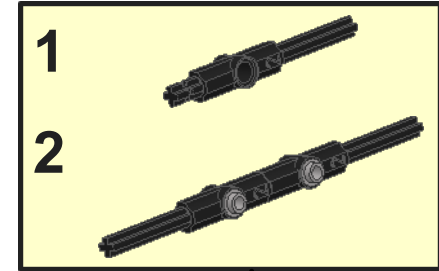
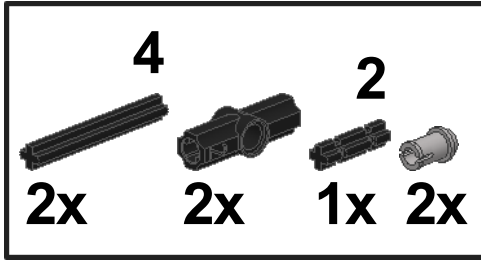
48



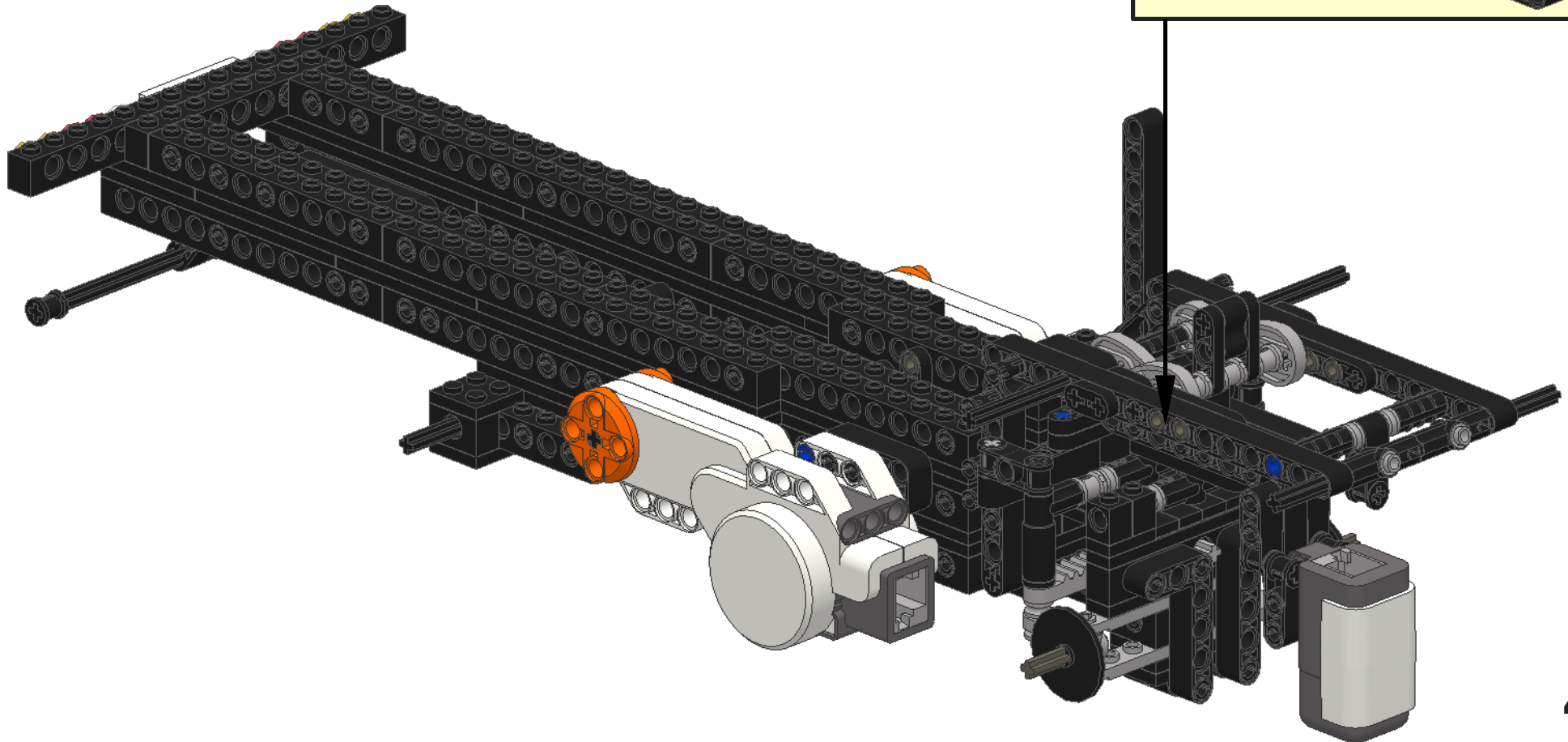
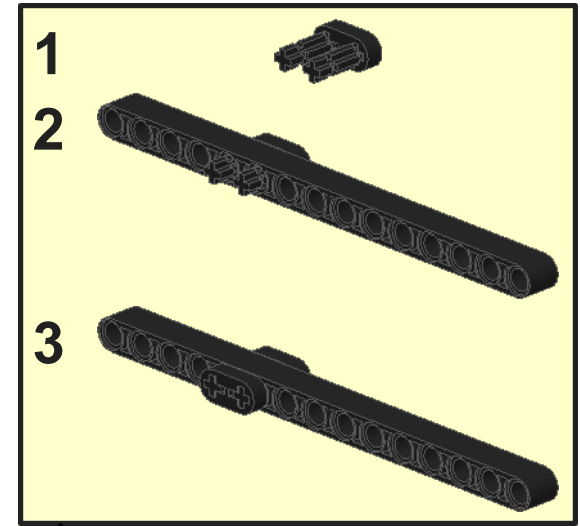
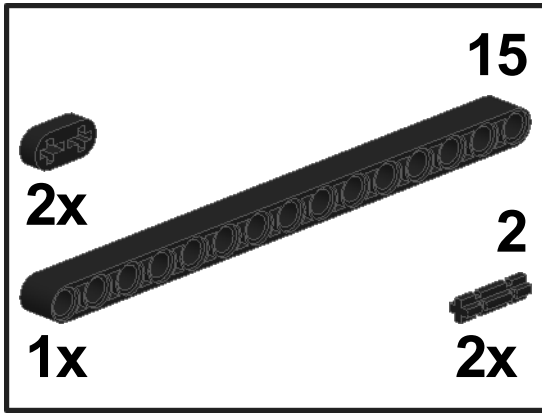
49



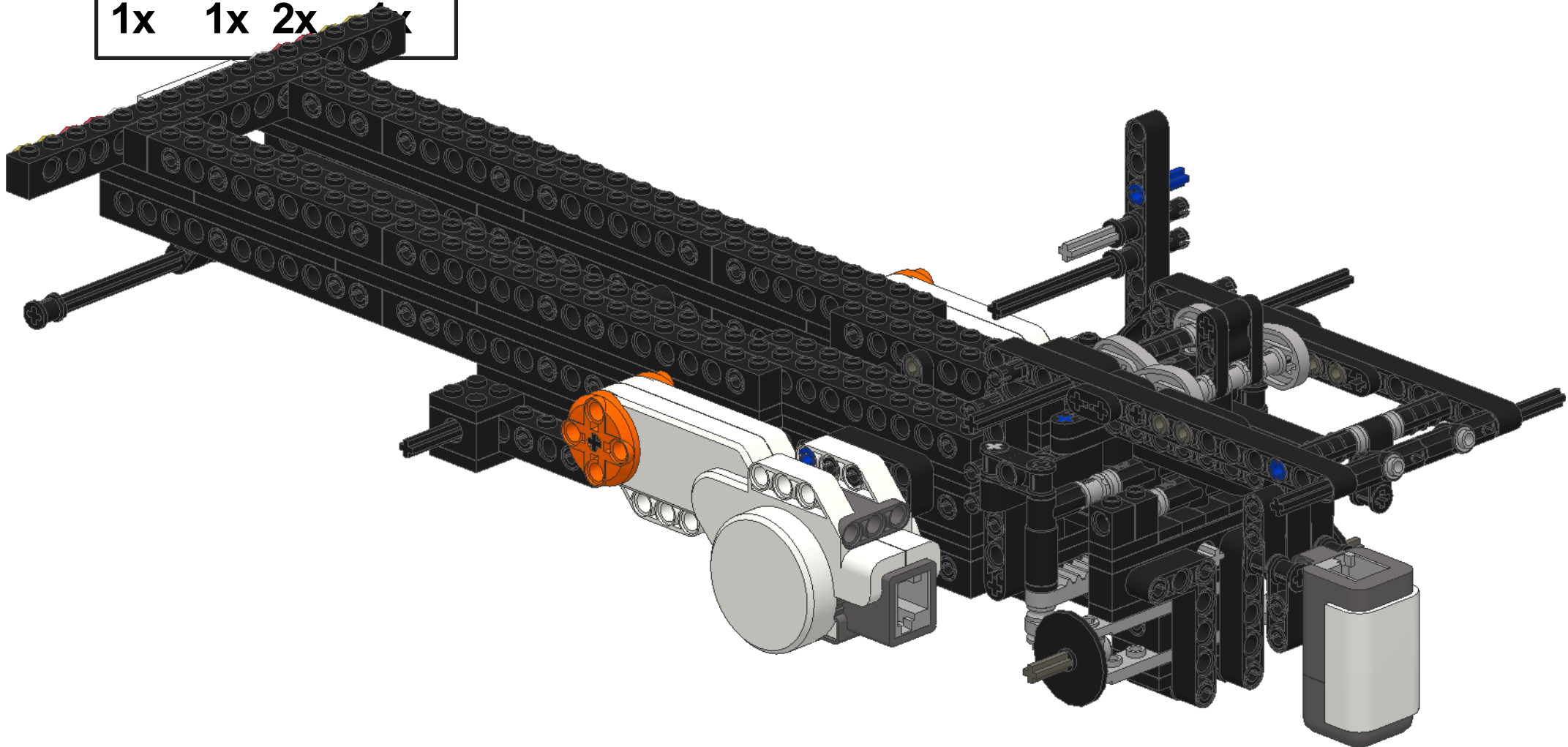
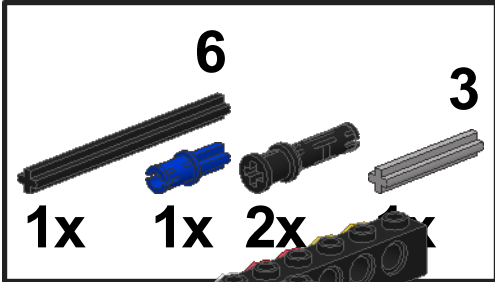
50




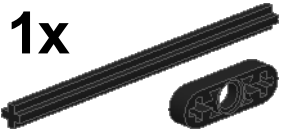

51

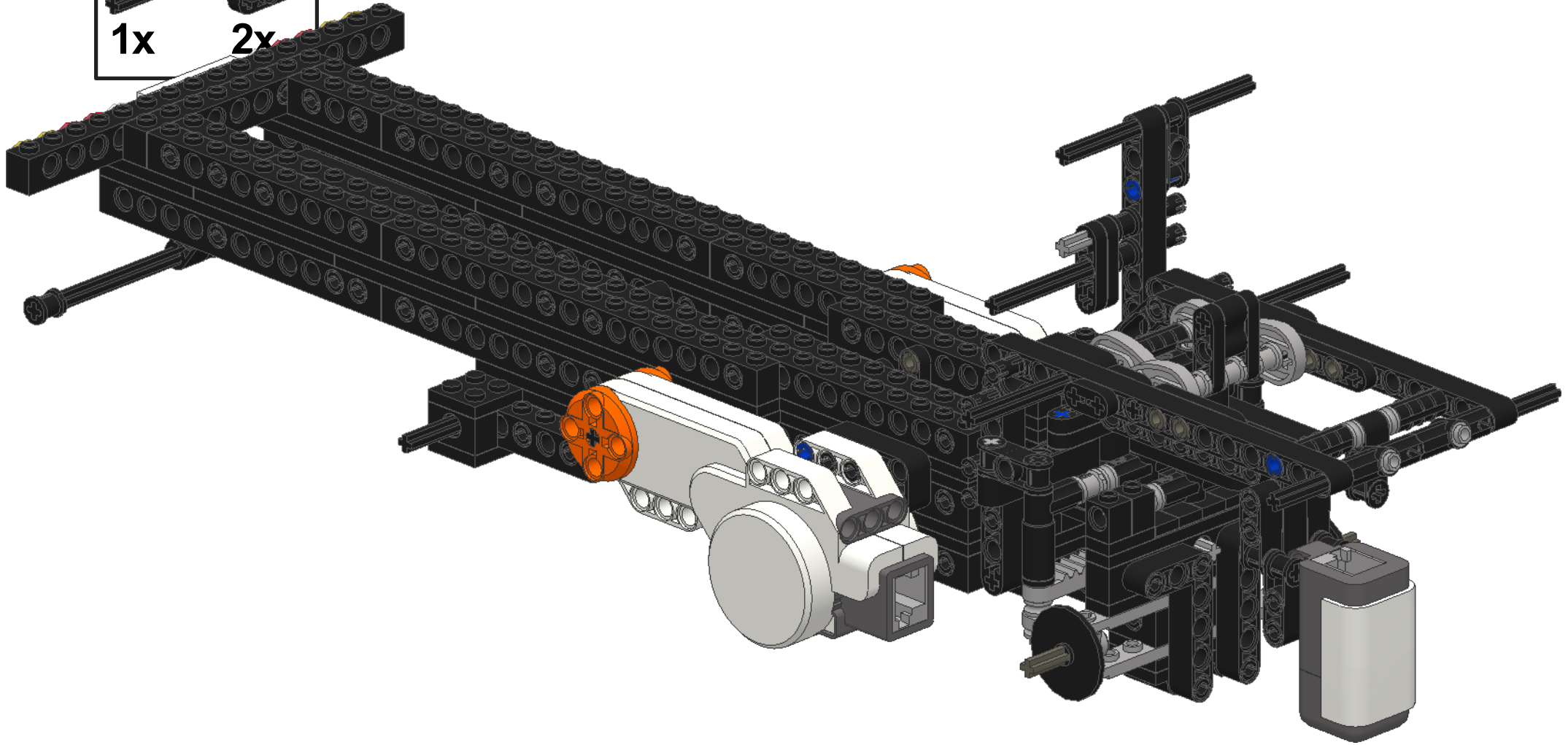


52

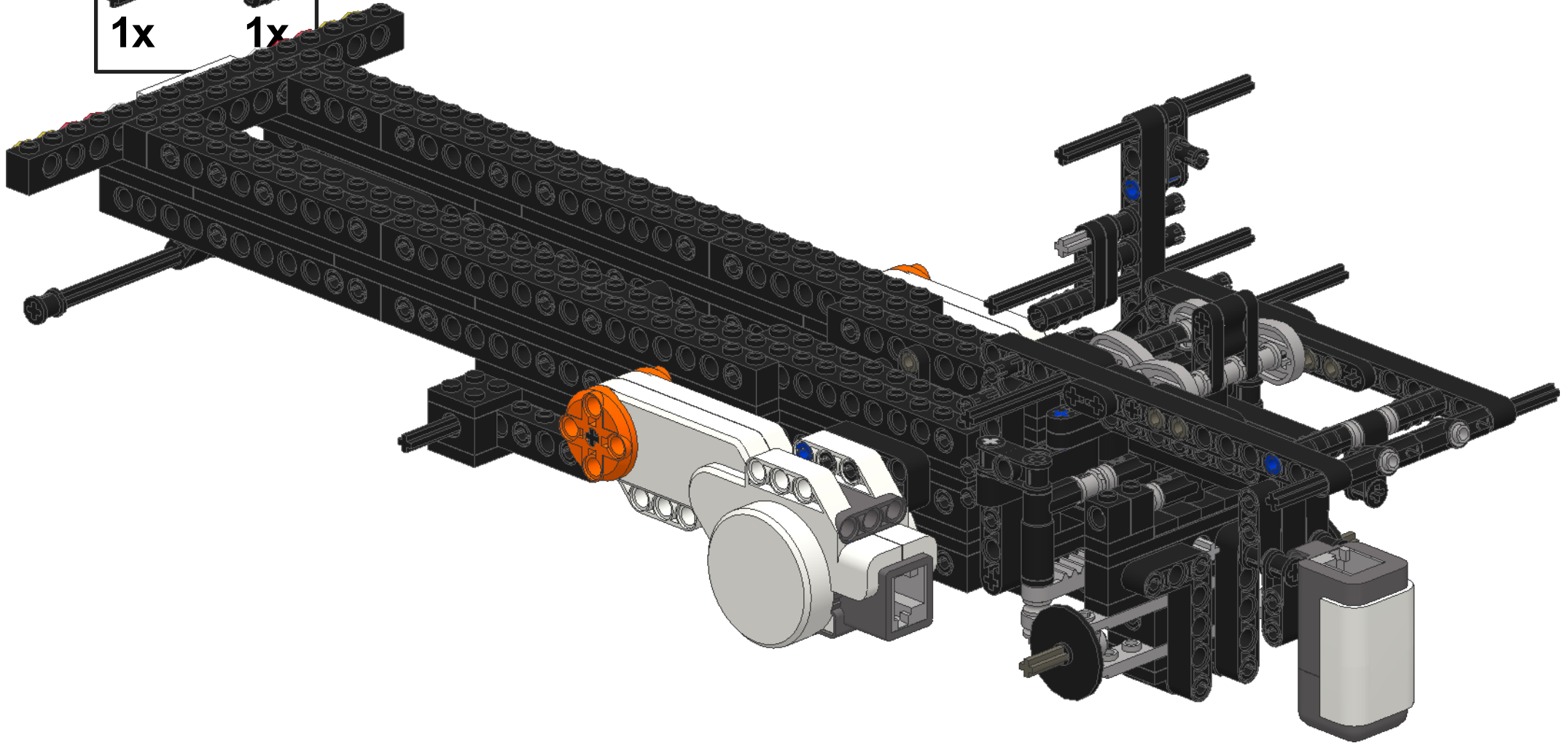
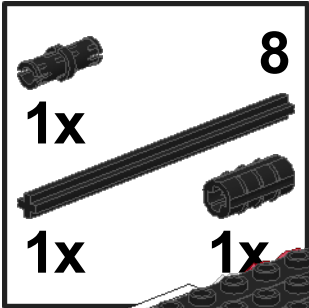


53

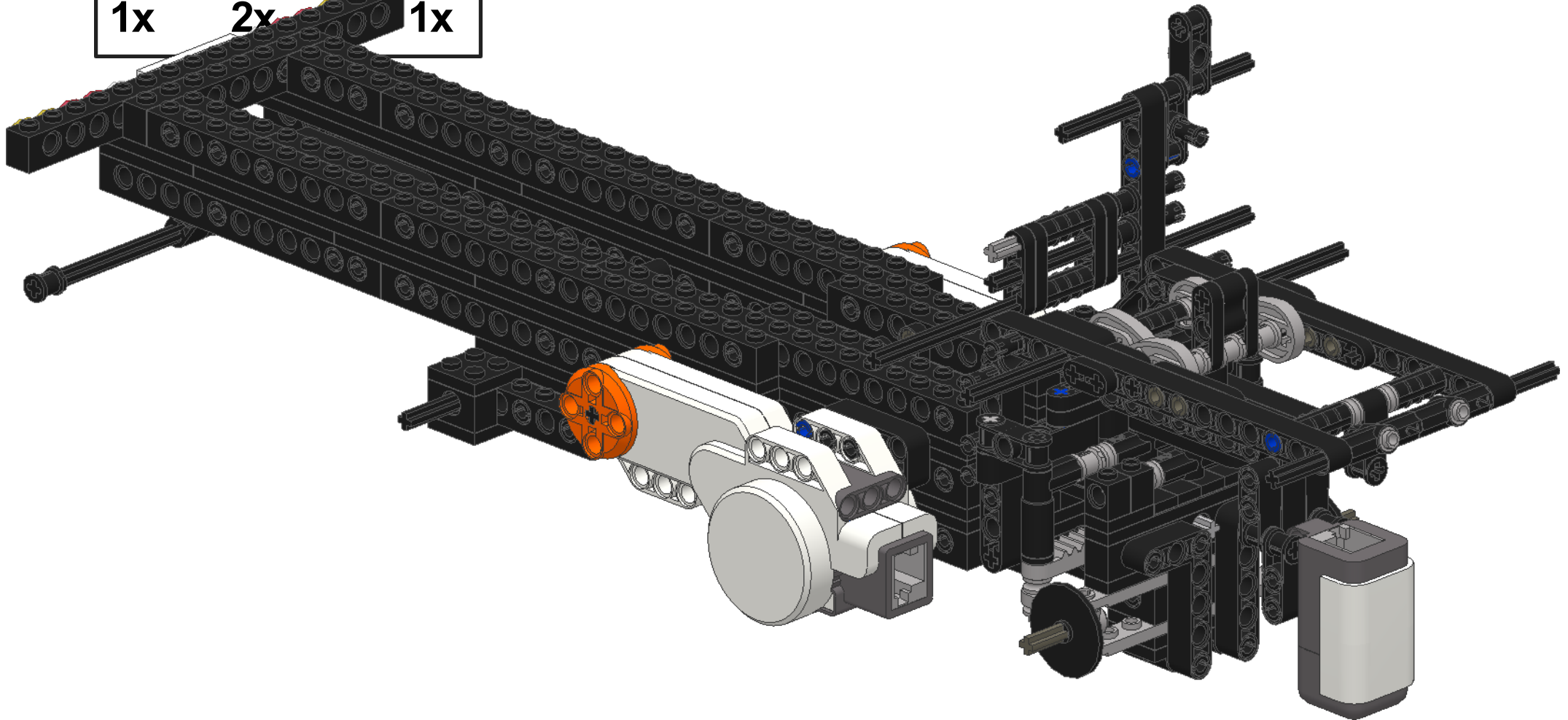
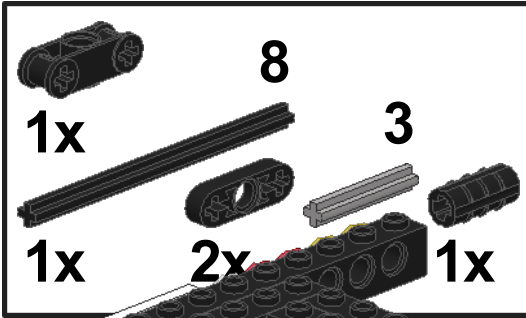
	8
1x	
	
1x	
	2x



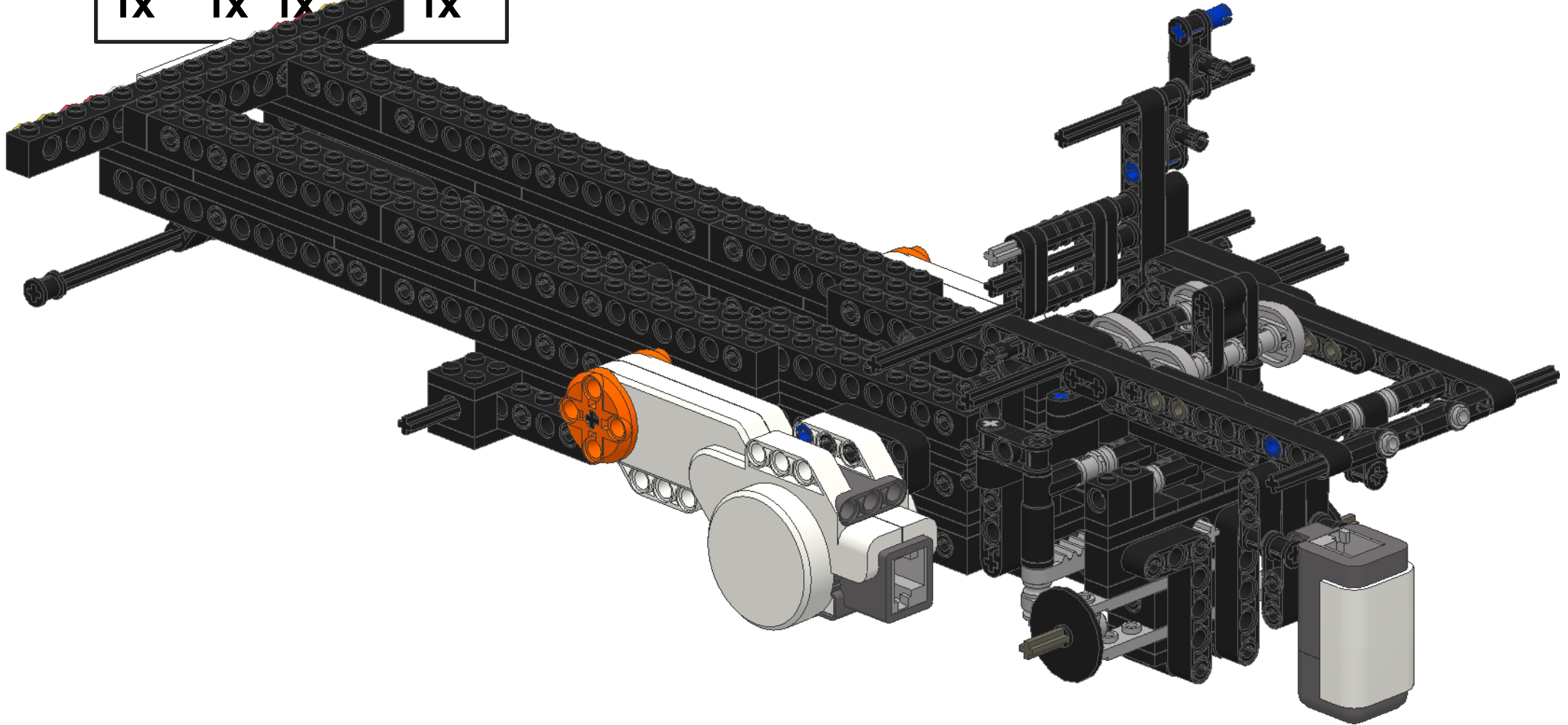
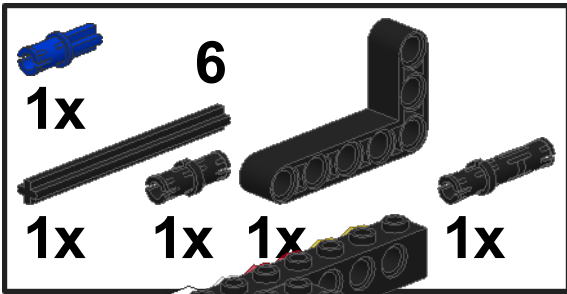
54



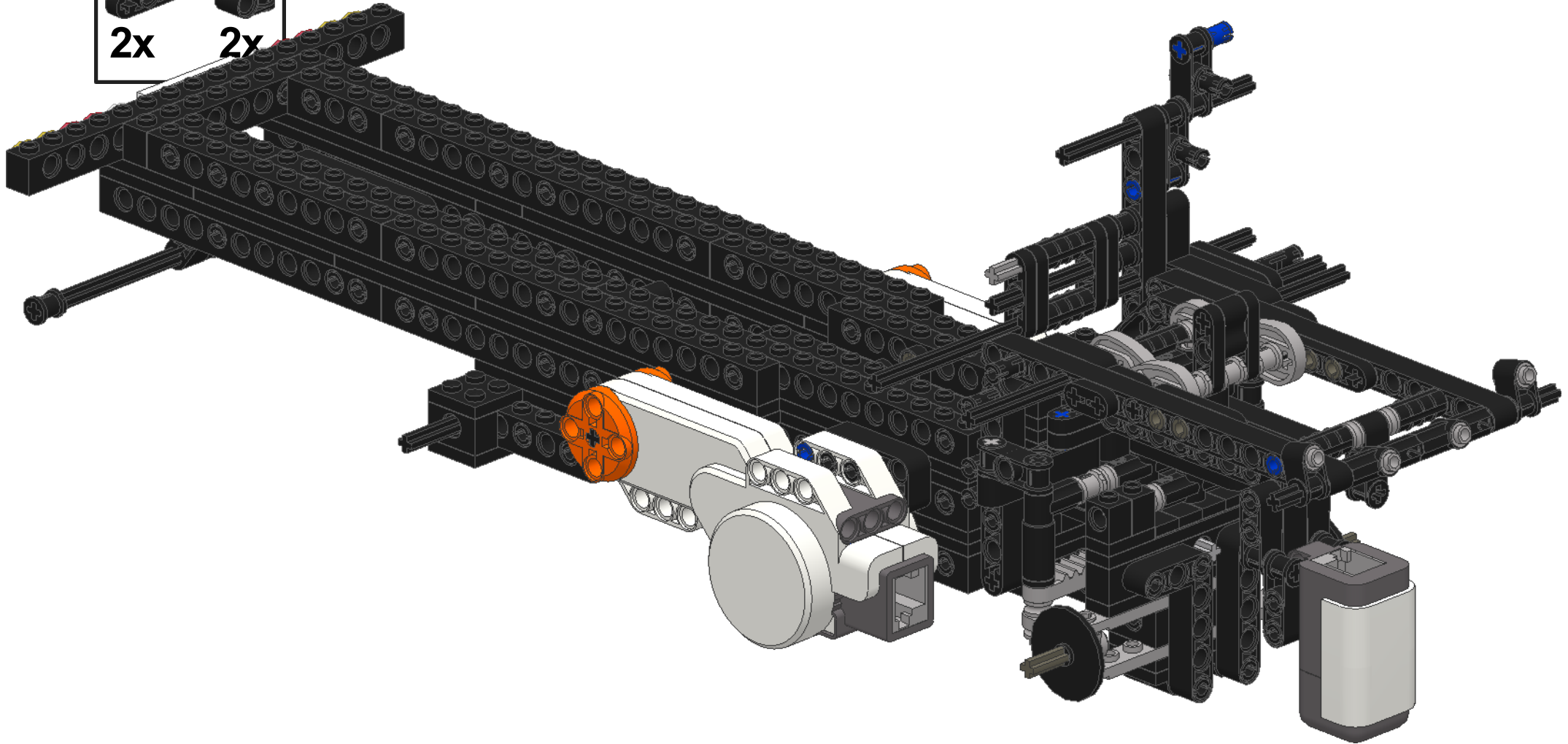
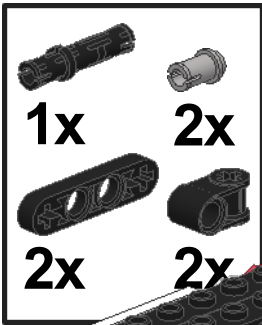
55



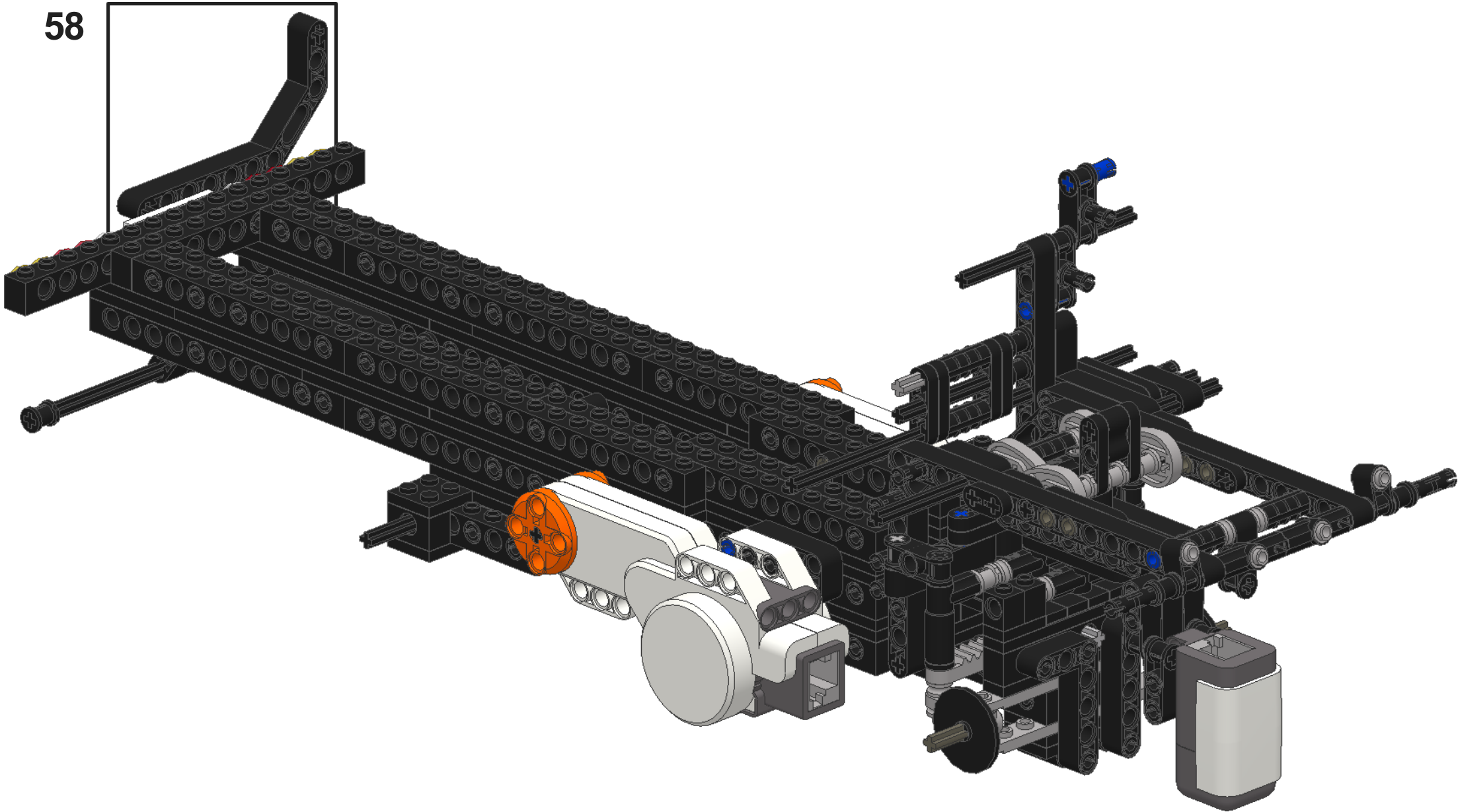
56



57

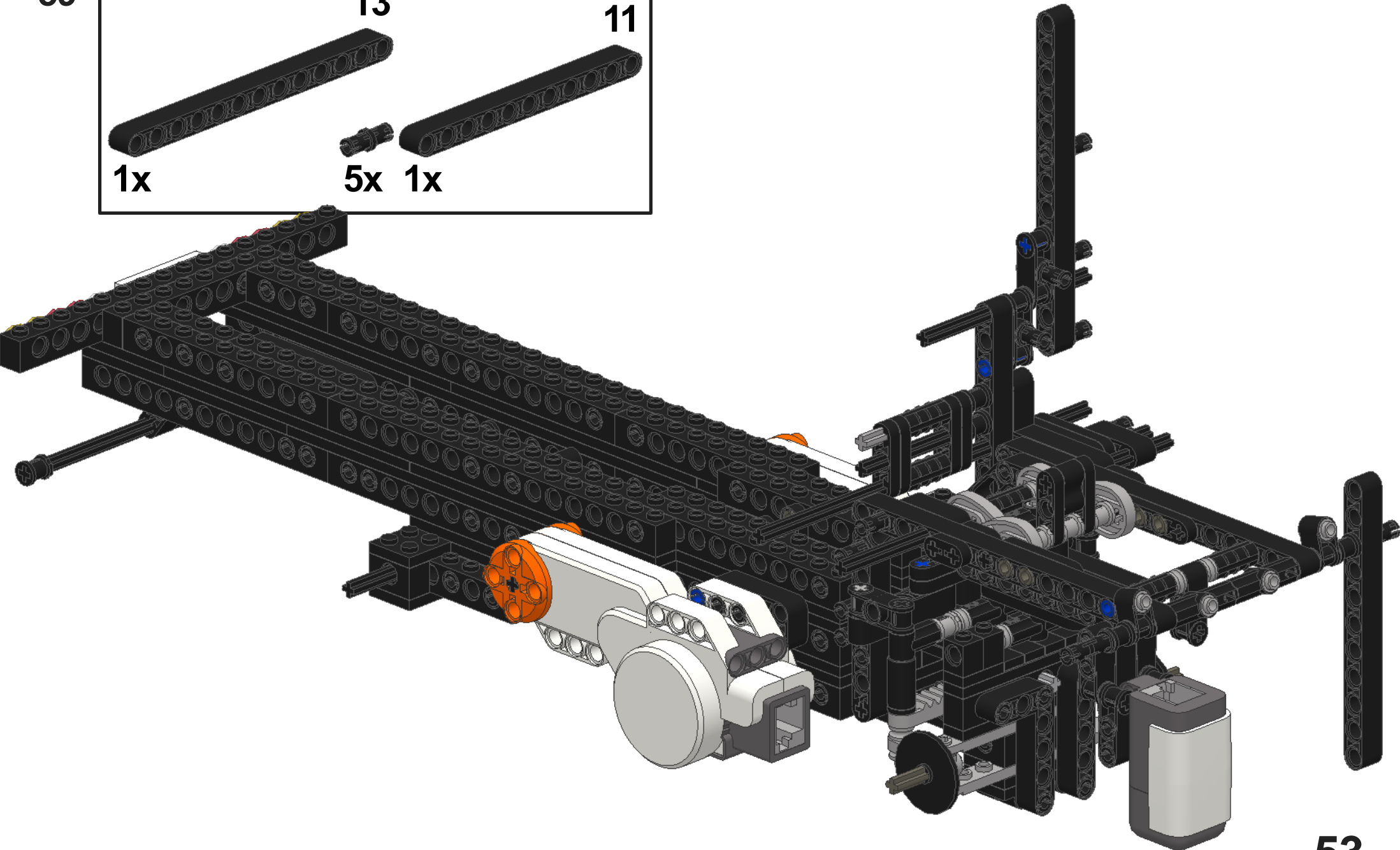
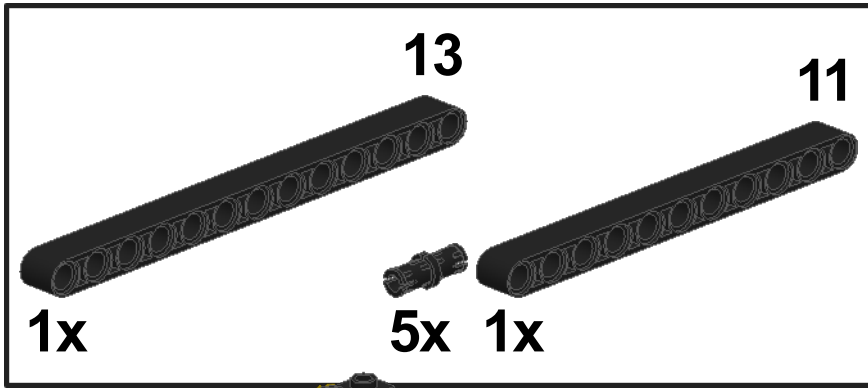


58



52

59



53

60

15



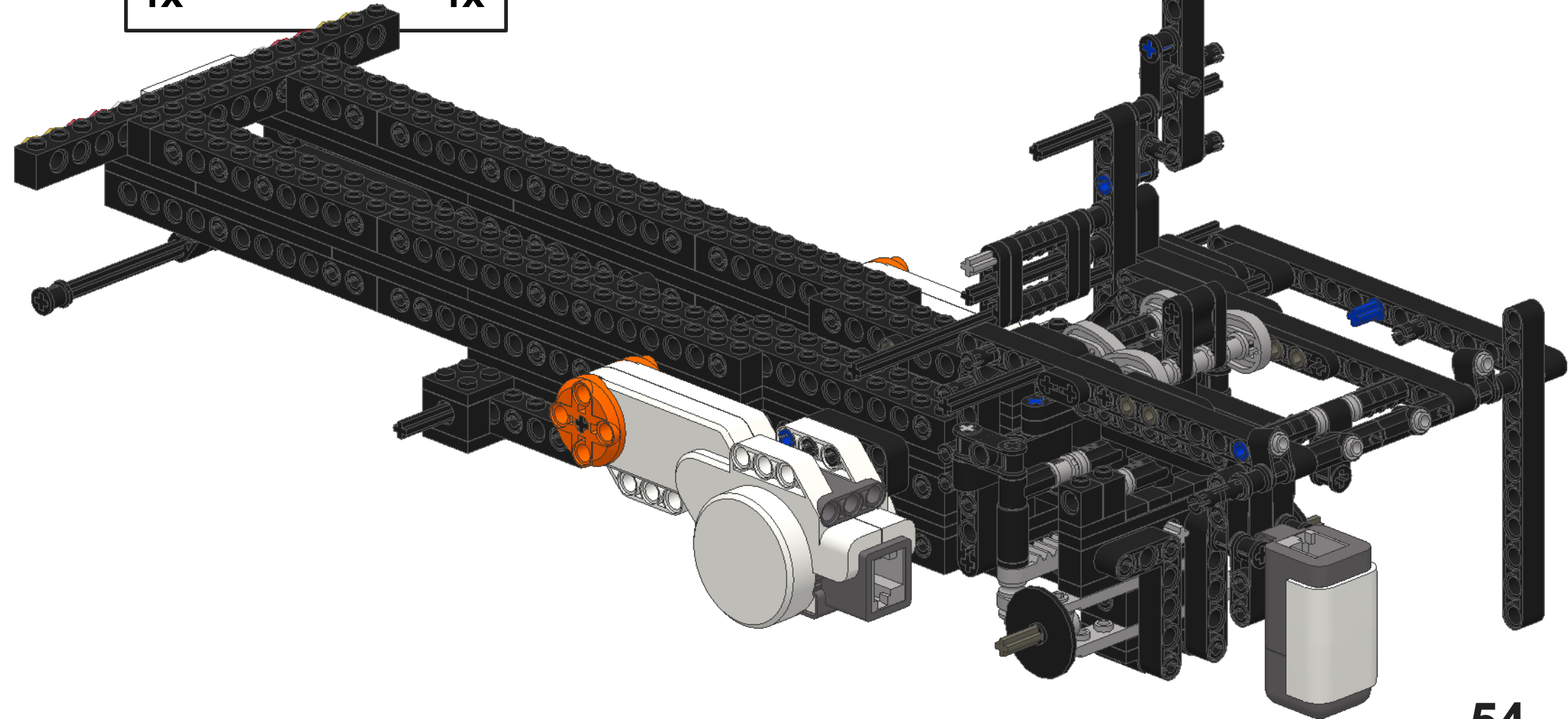
1x



1x



1x



54

61

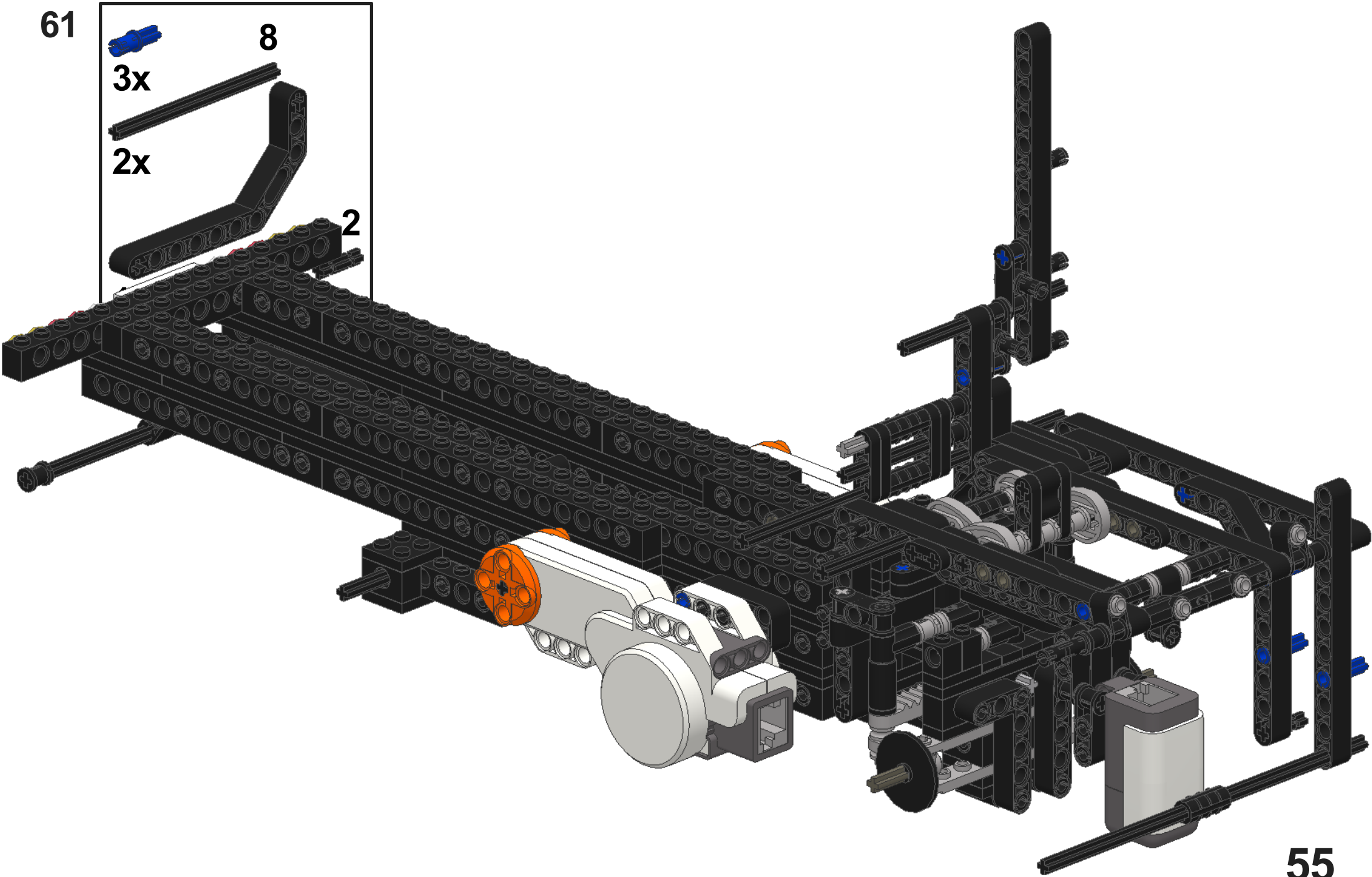


8

3x

2x

2



62



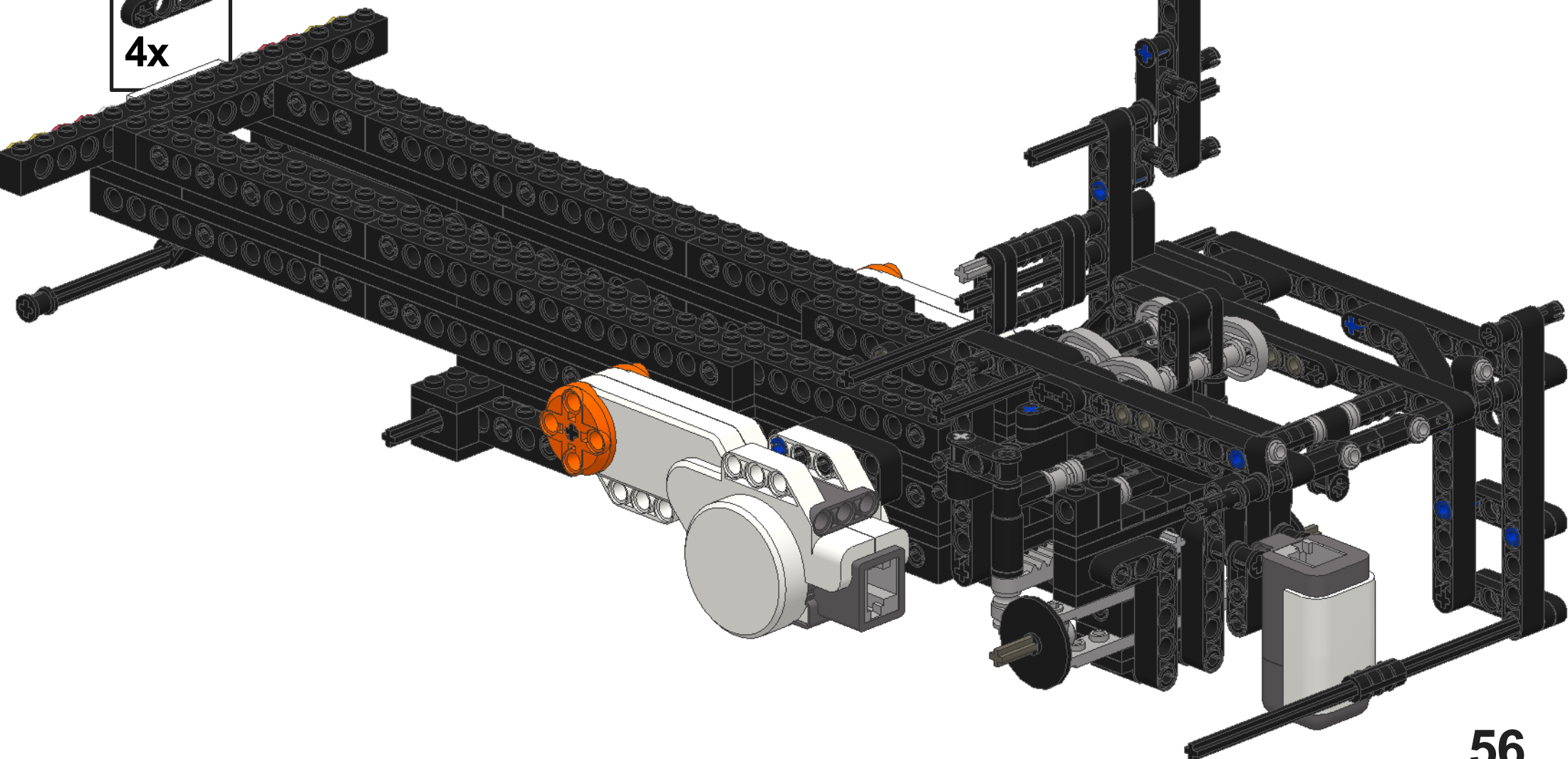
1x



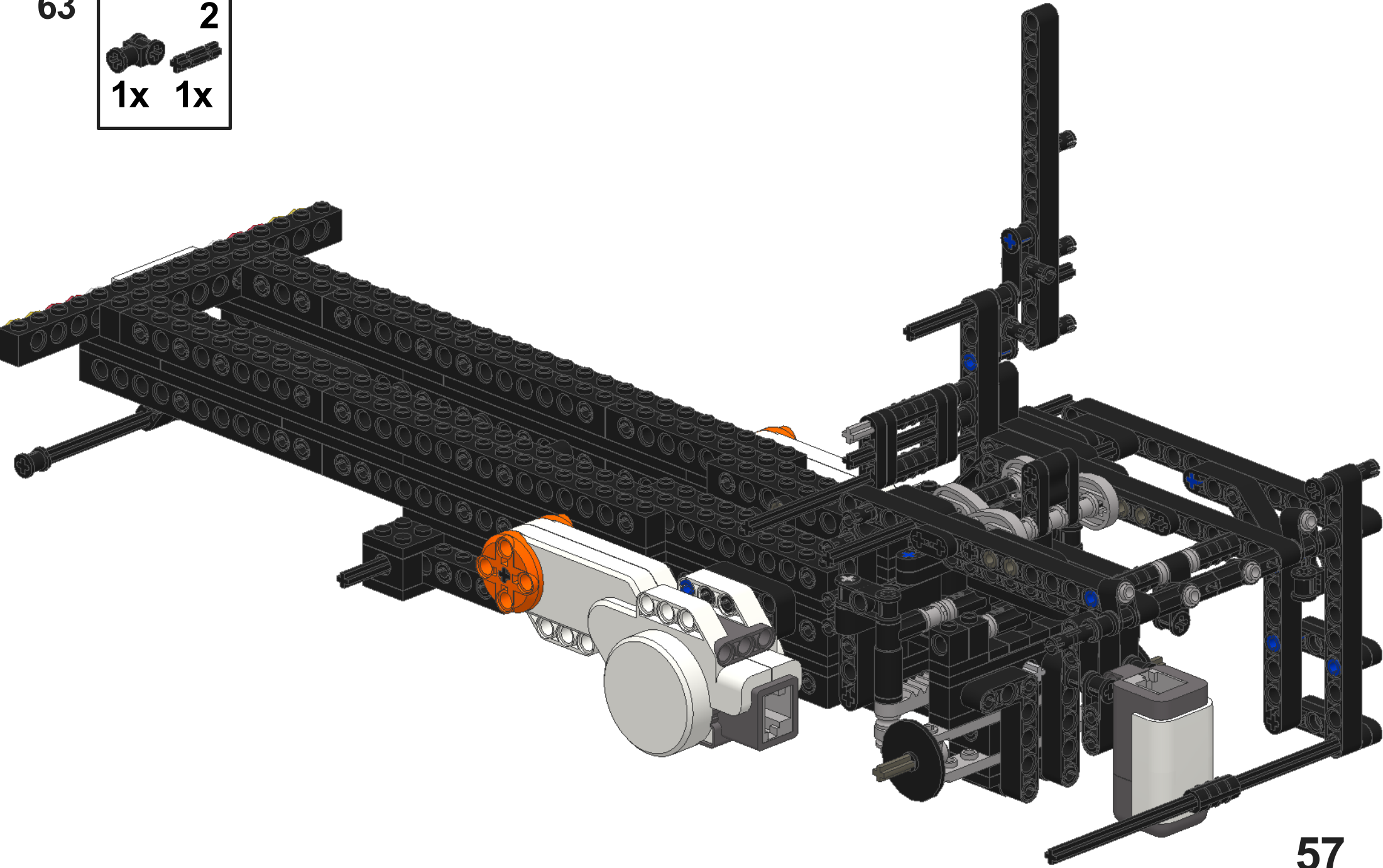
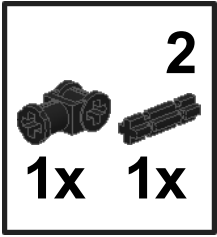
1x



4x

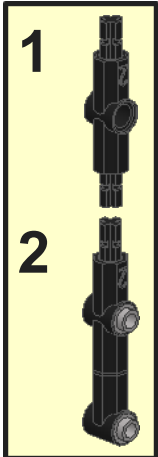
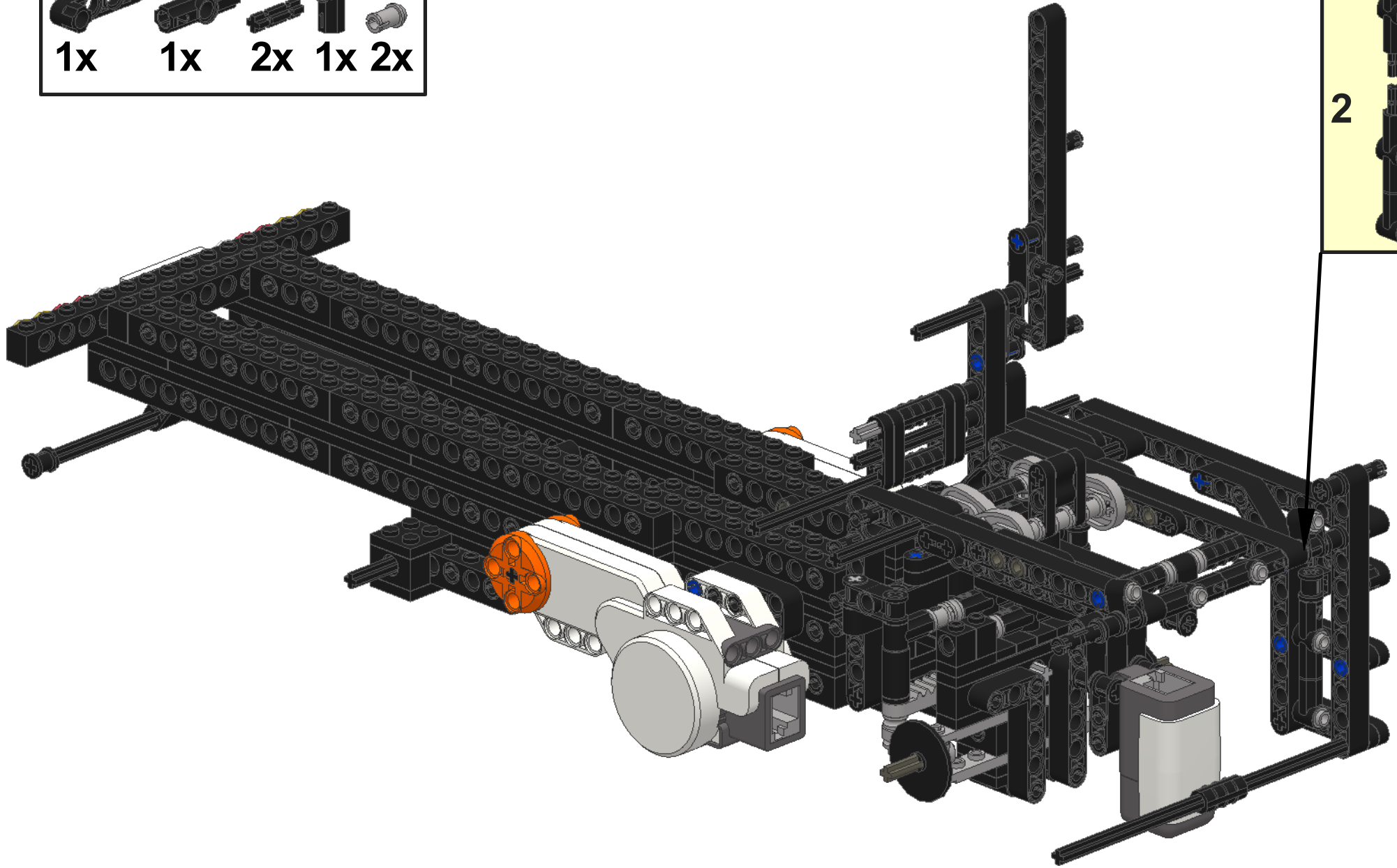
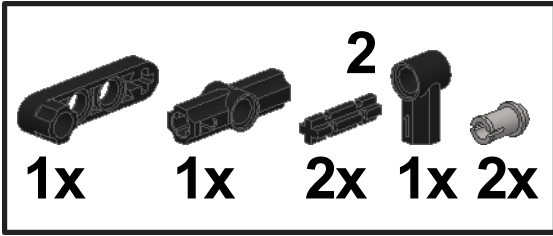


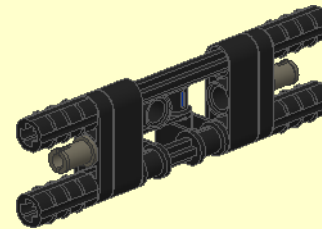
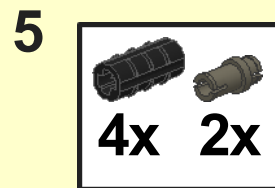
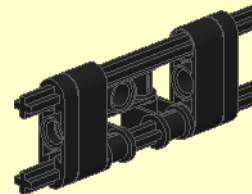
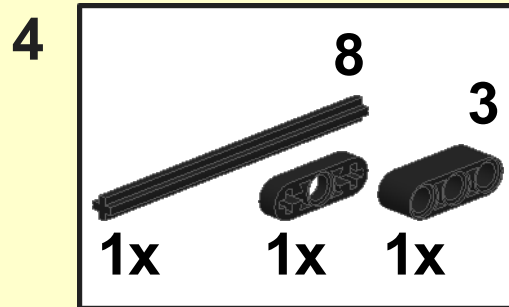
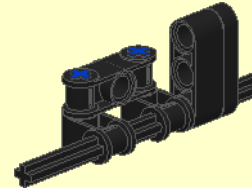
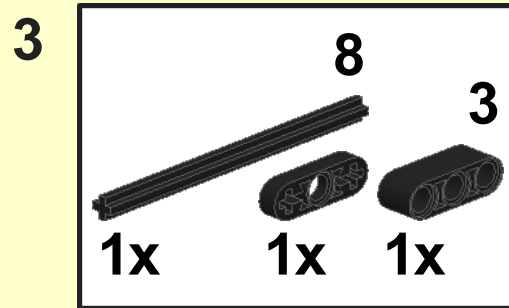
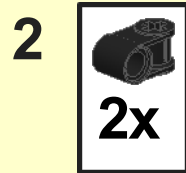
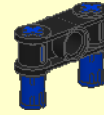
63

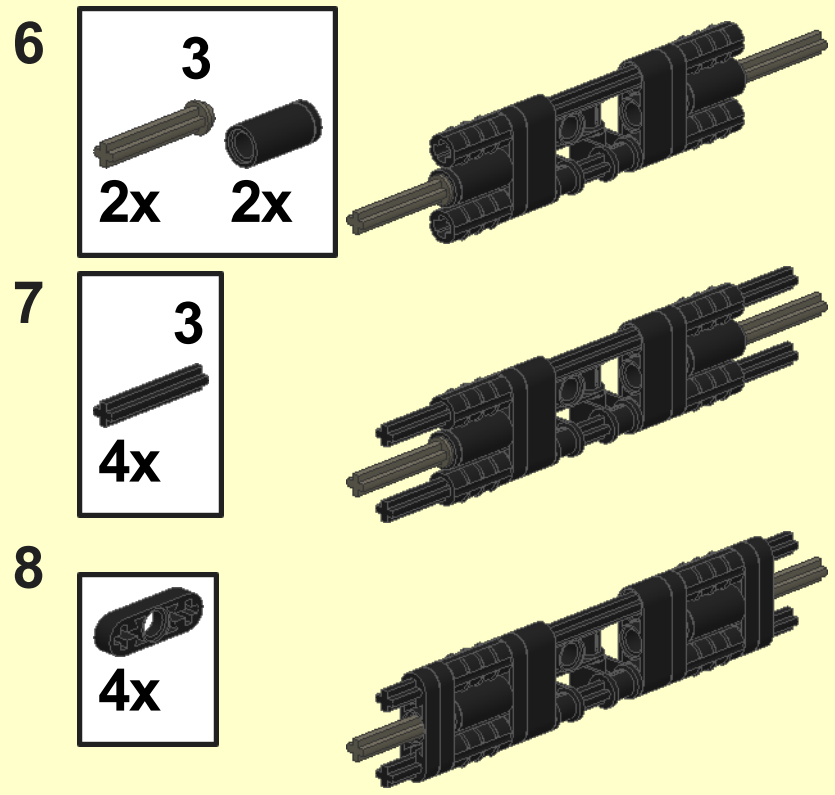


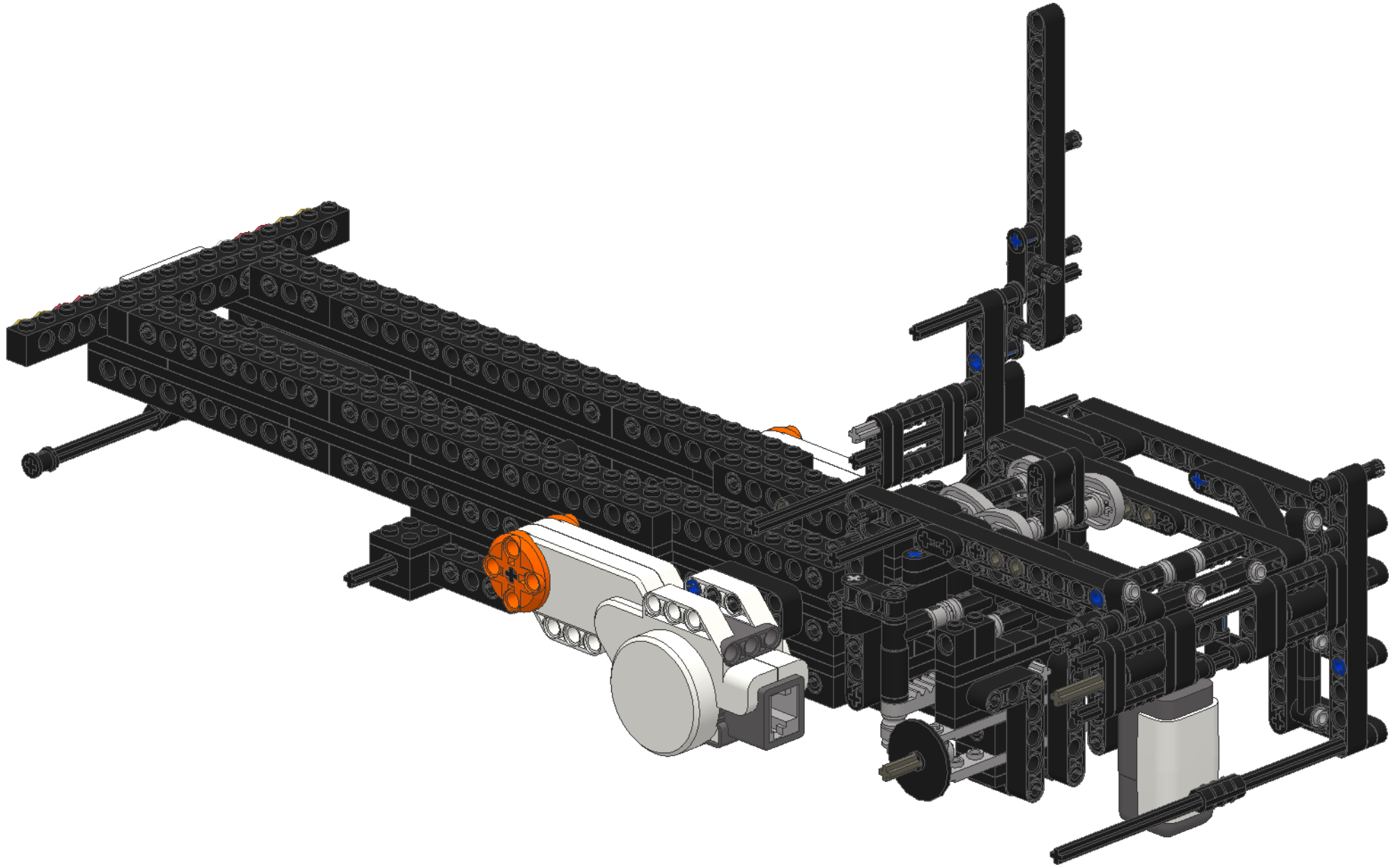
57

64

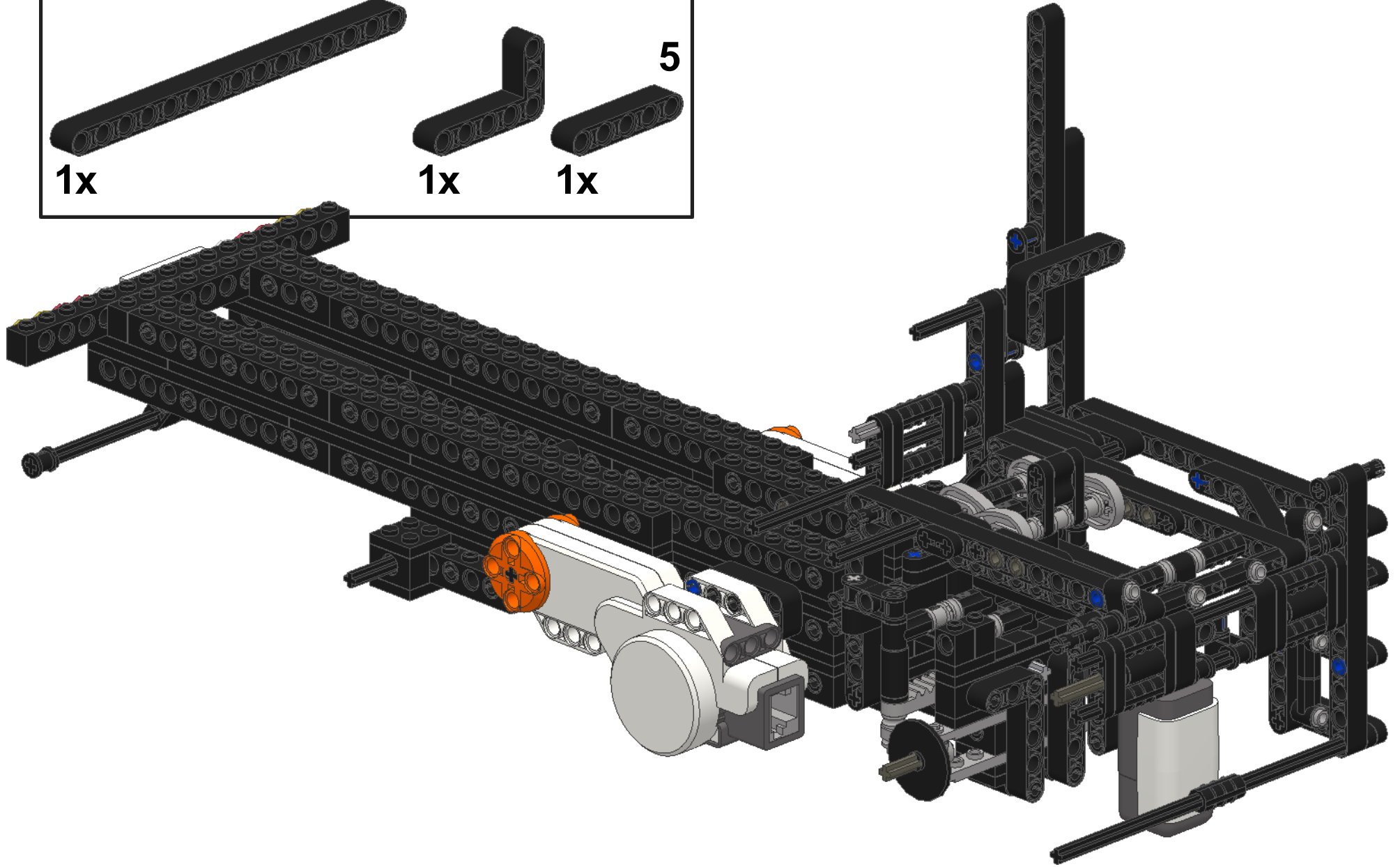
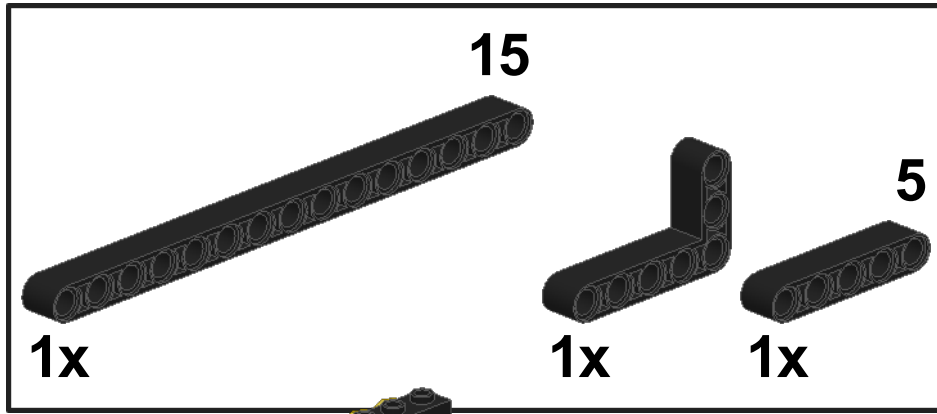






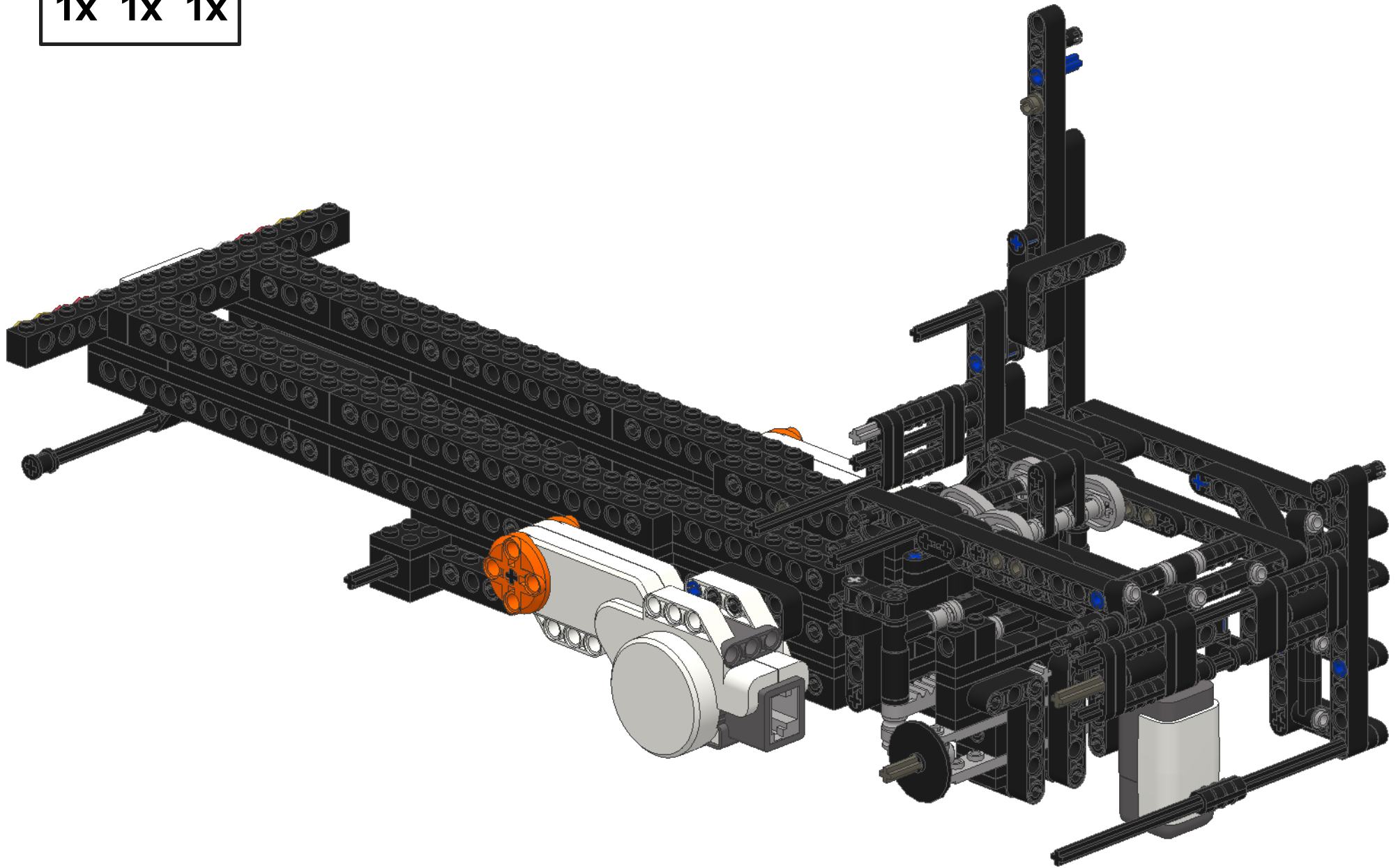
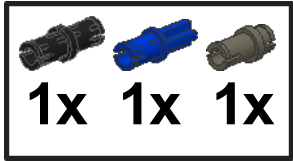


66

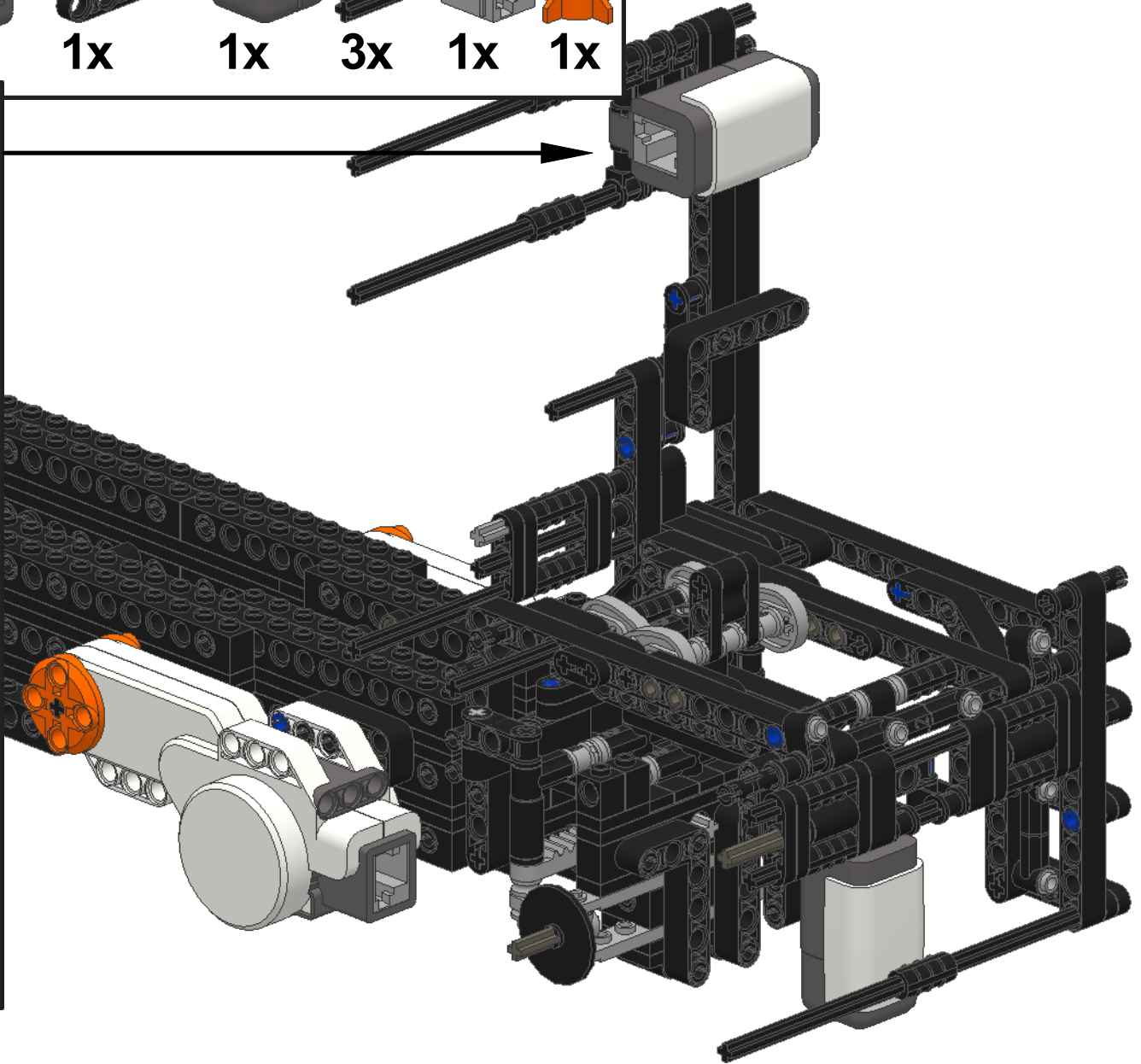
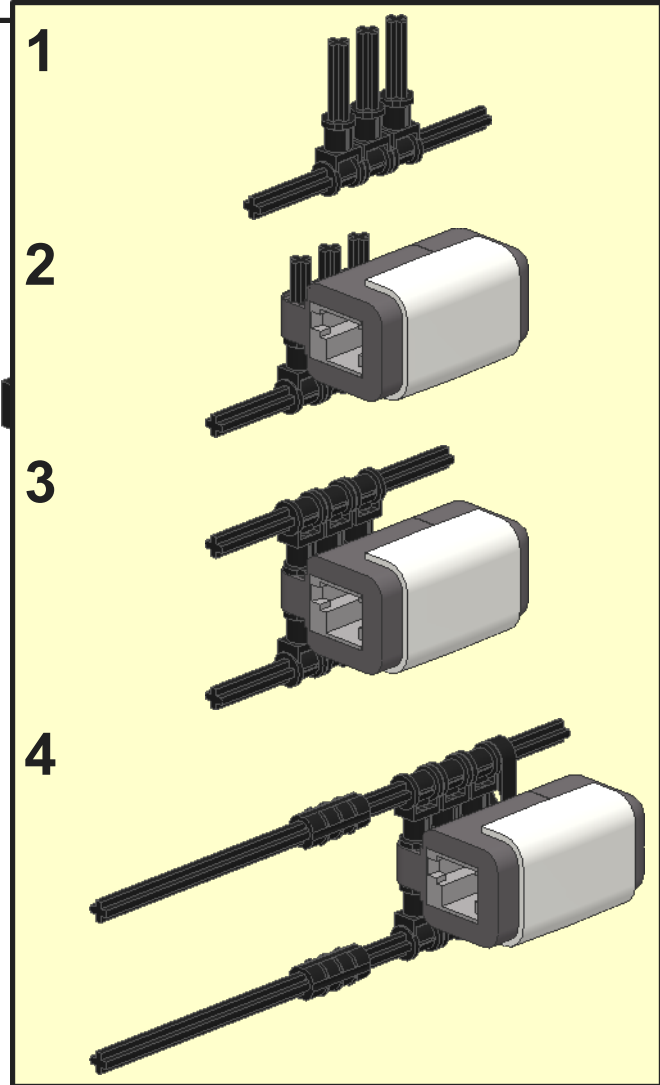
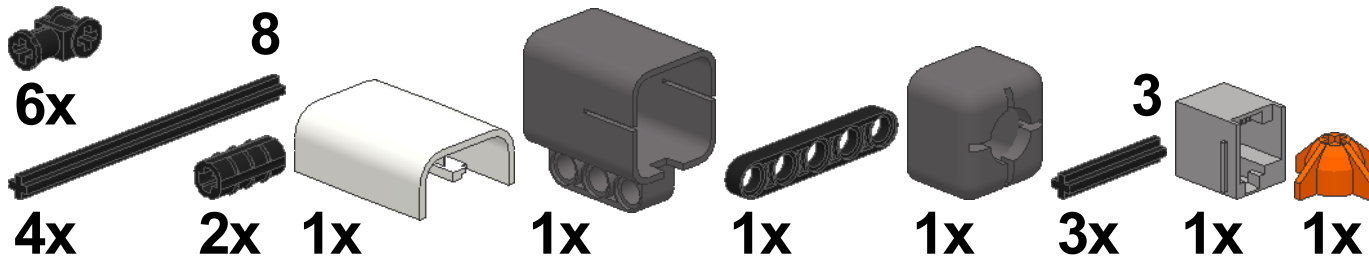


62

67

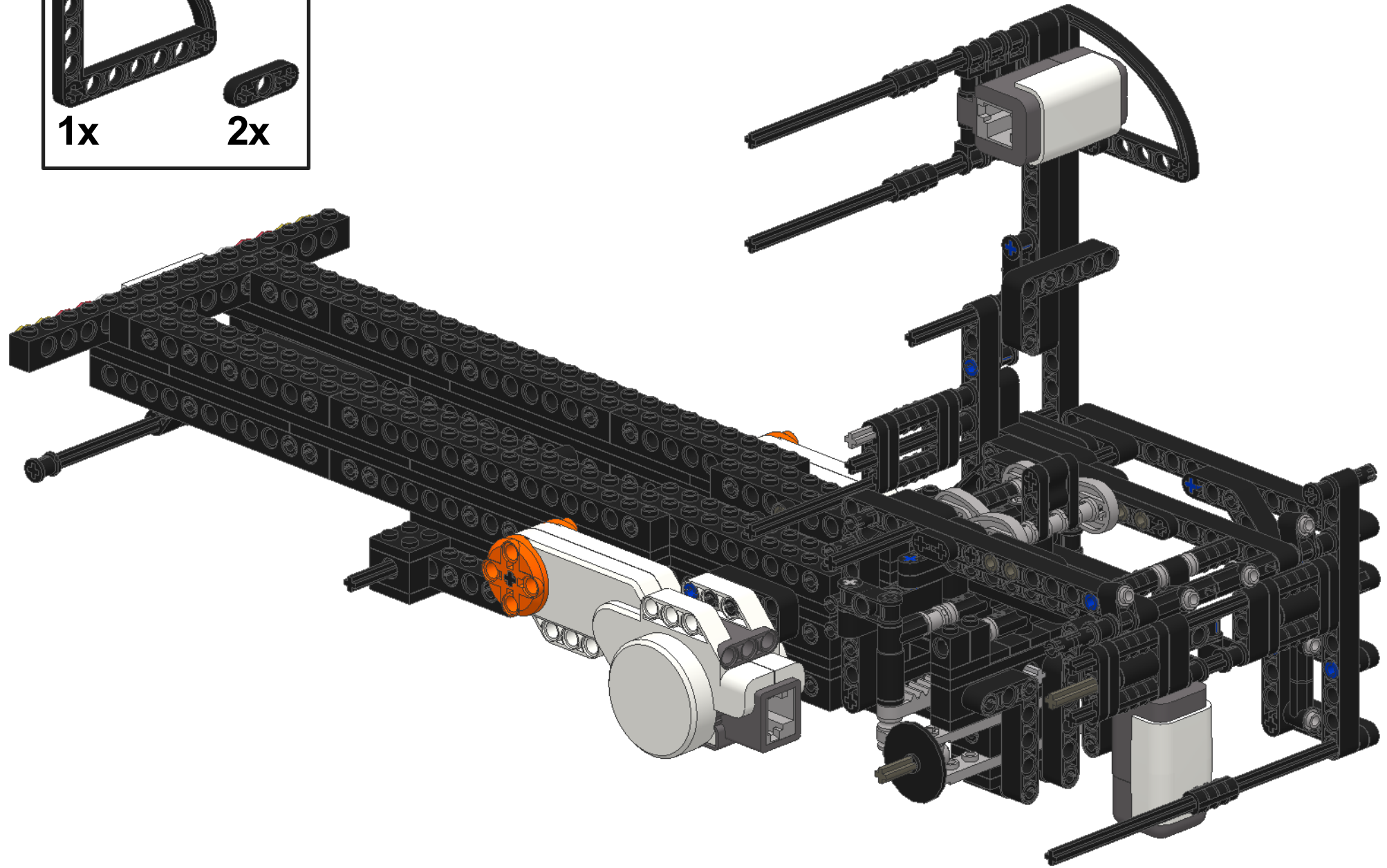
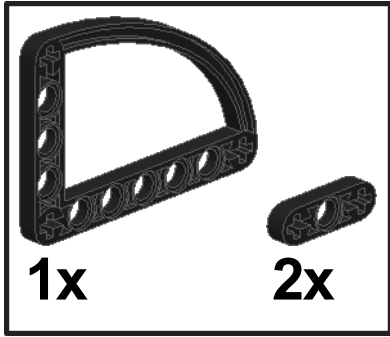


68



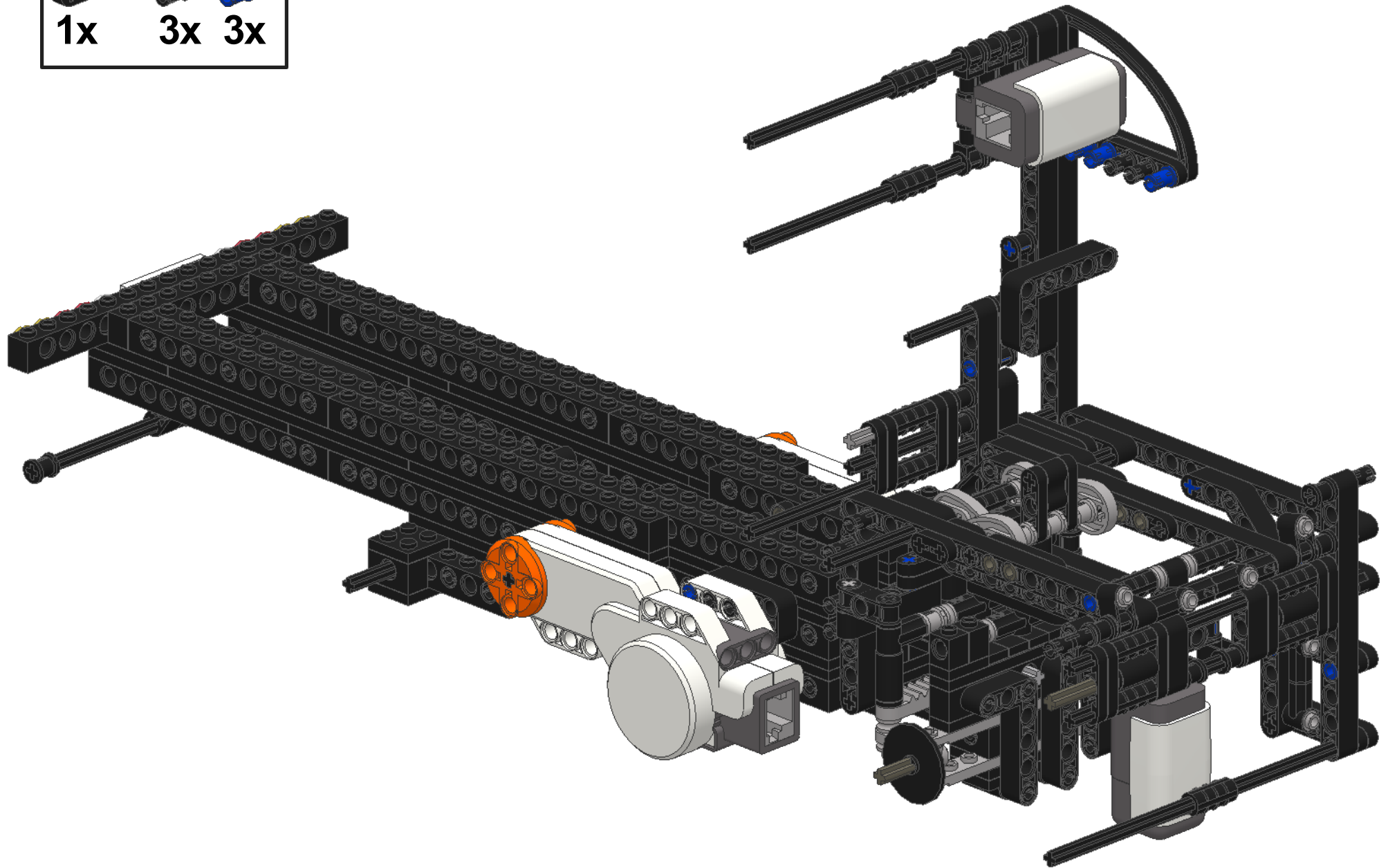
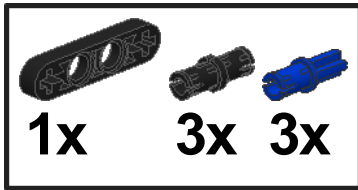
64

69

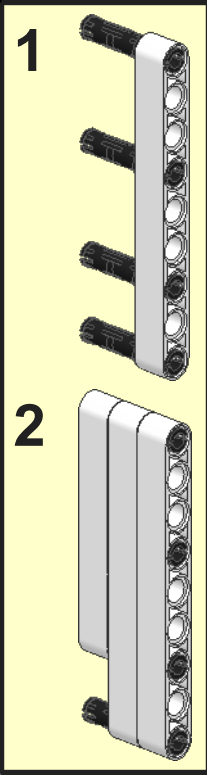
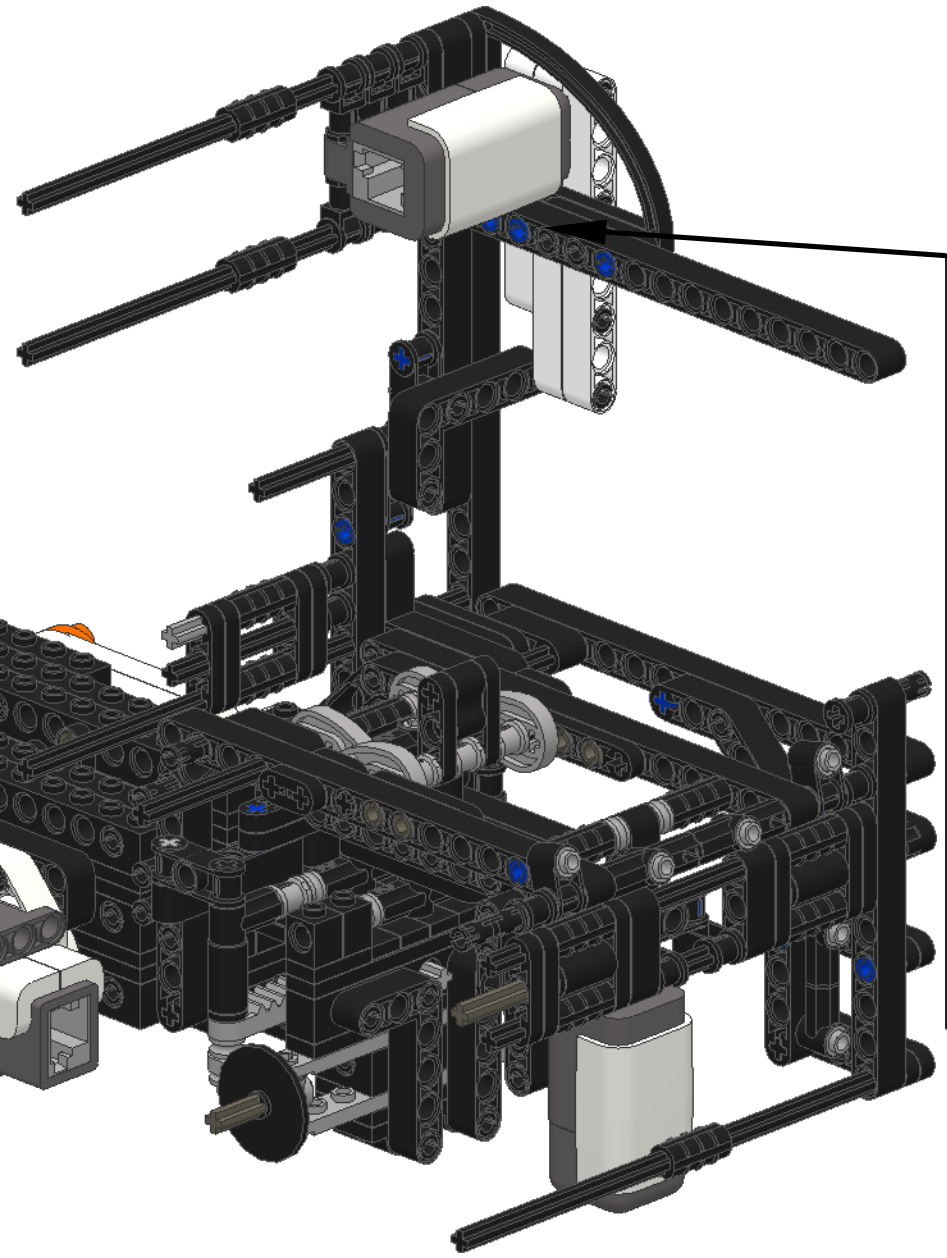
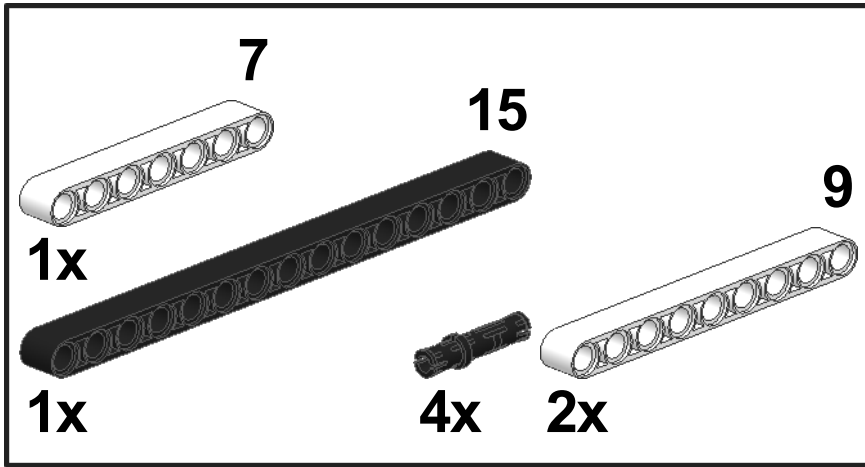


65

70

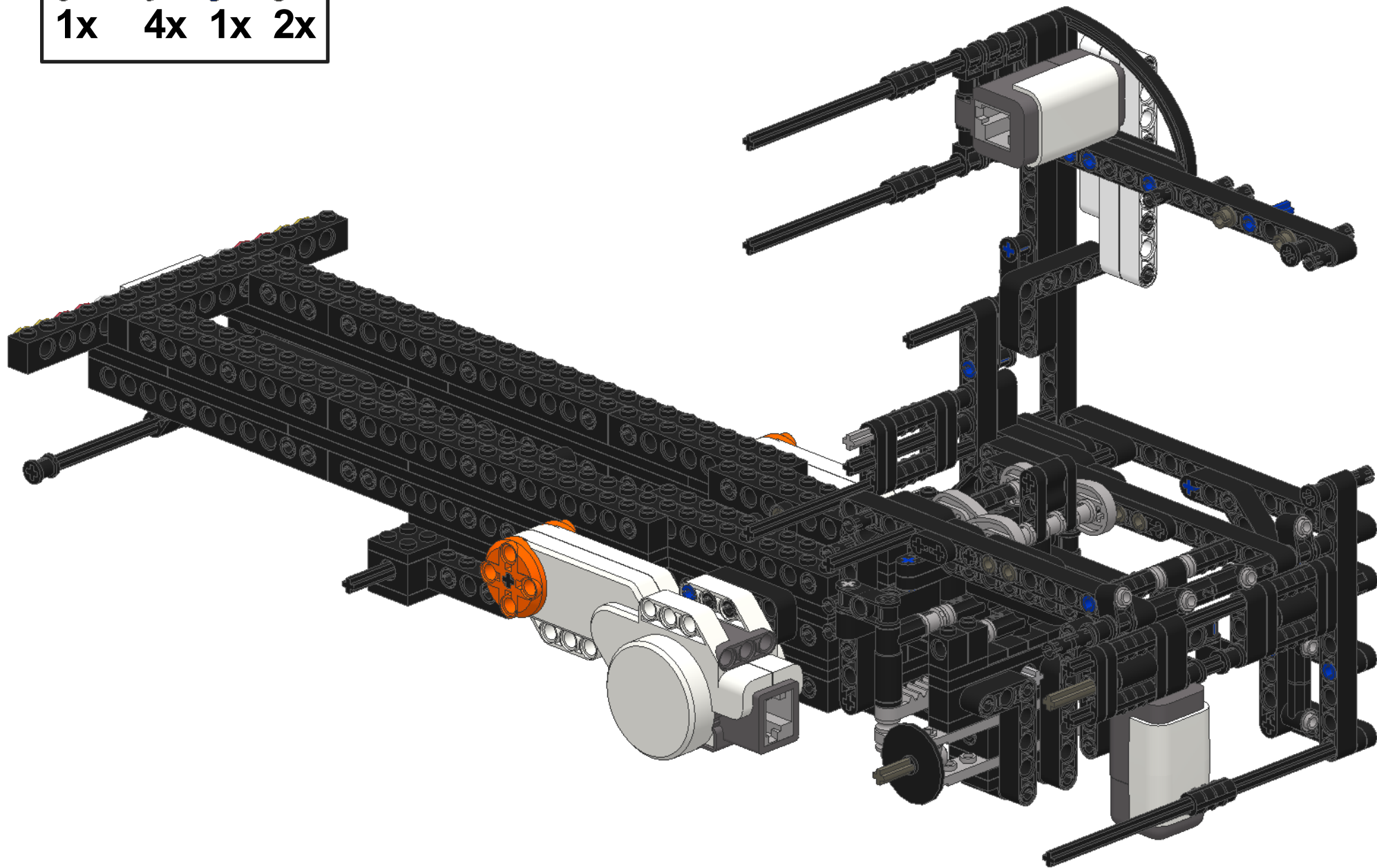
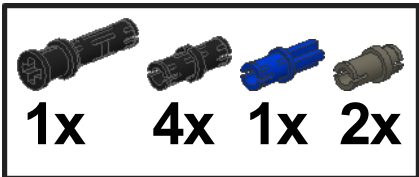


71

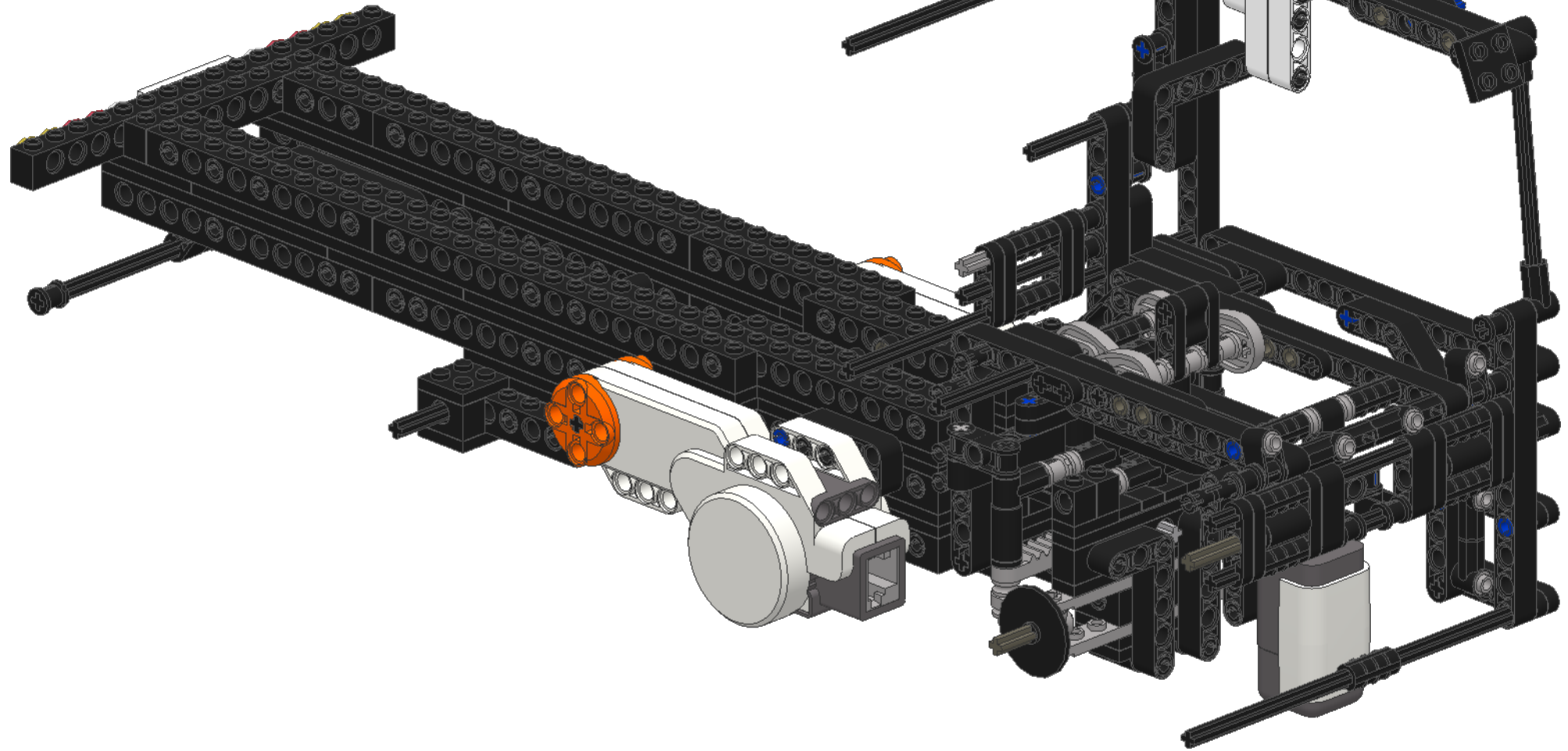
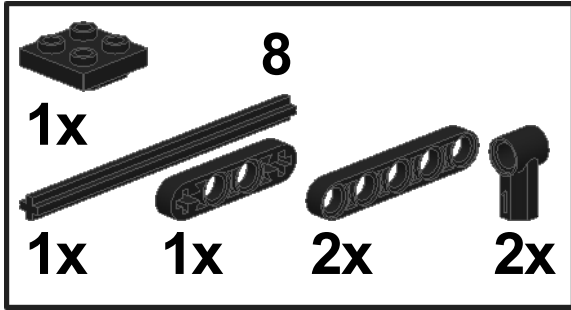


67

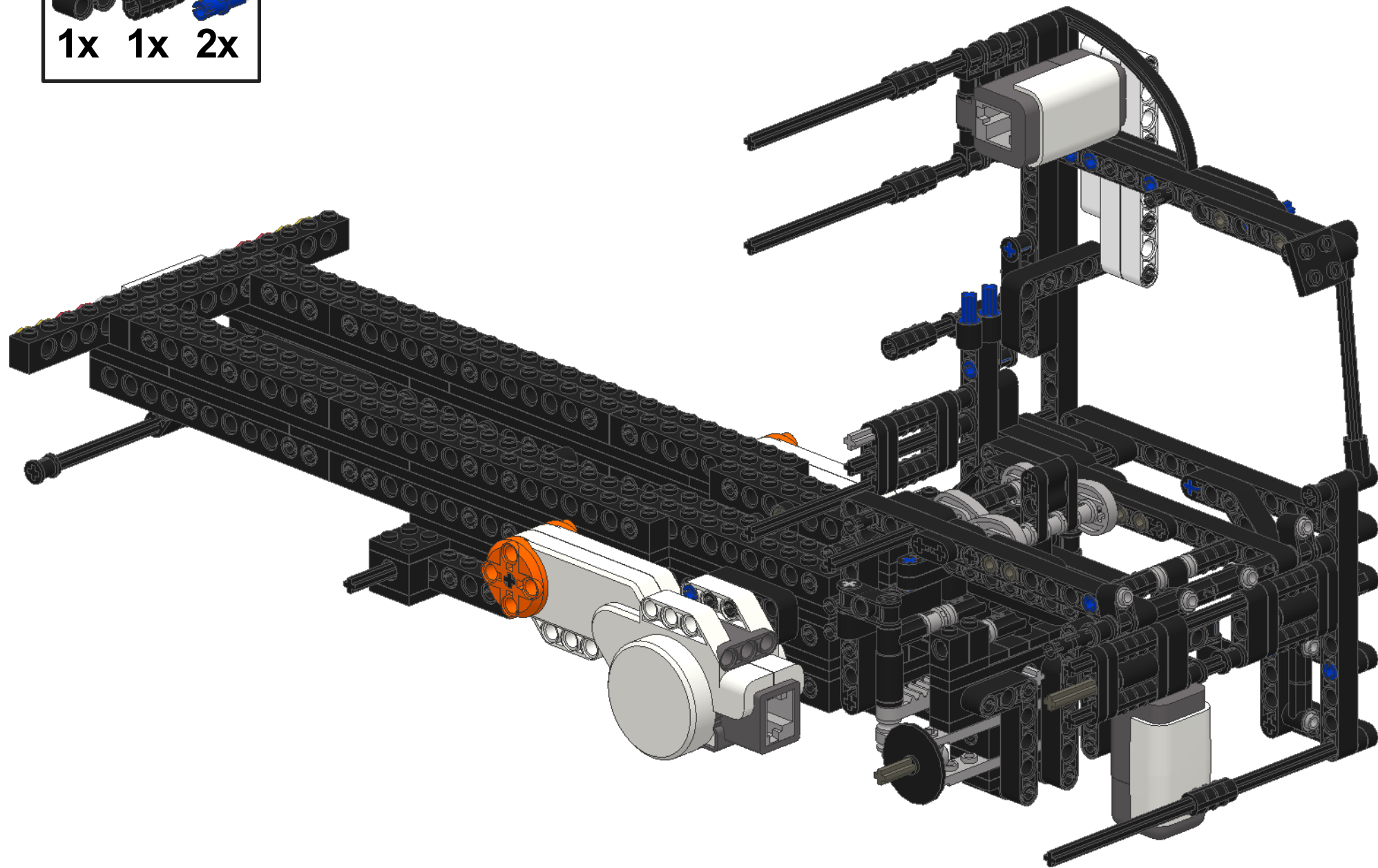
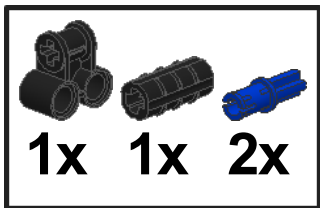
72



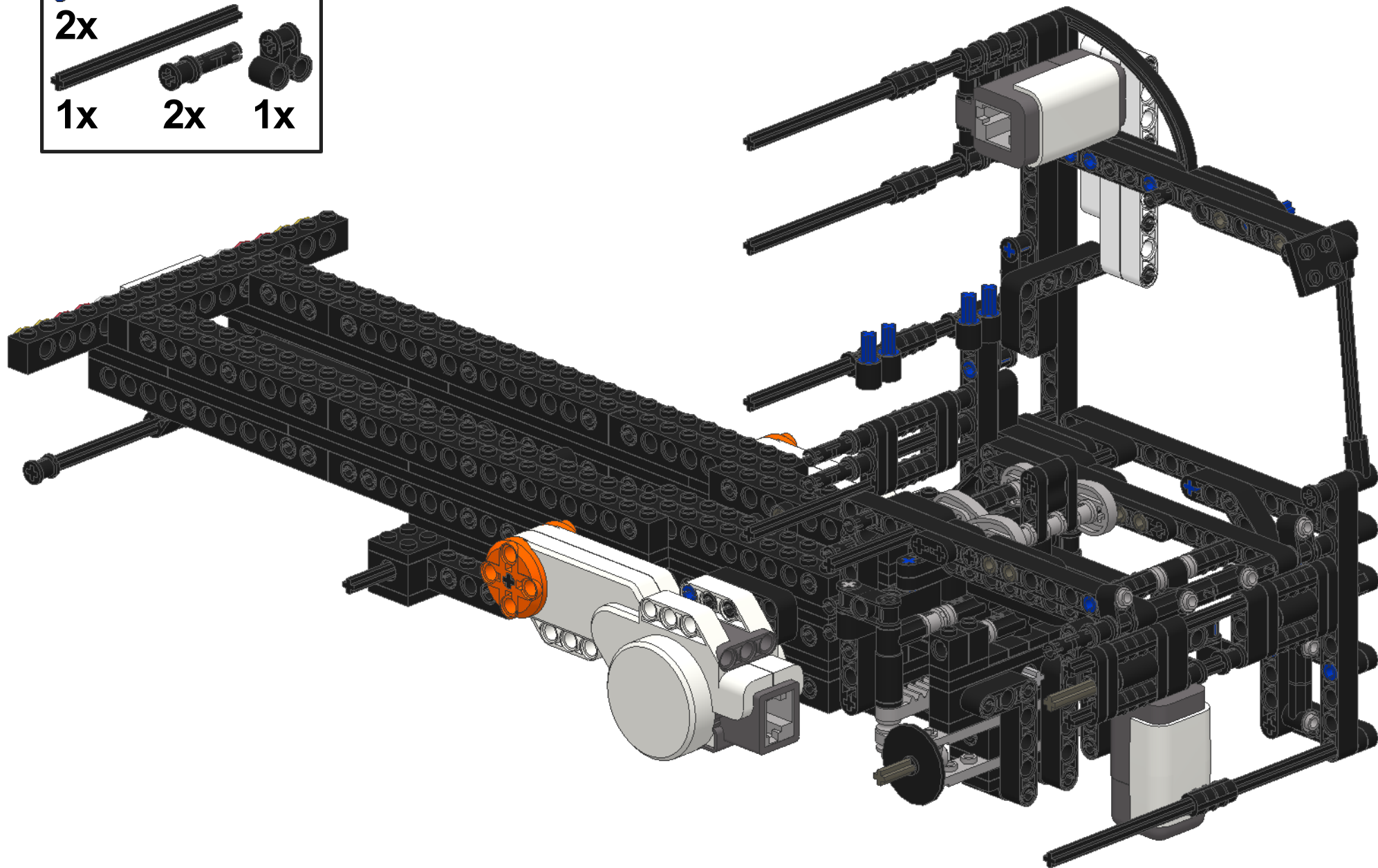
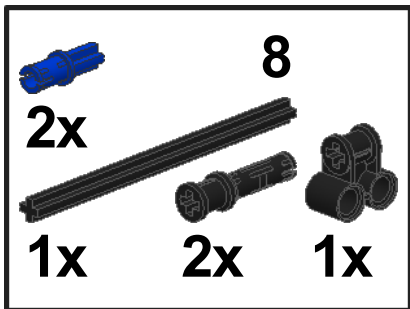
73



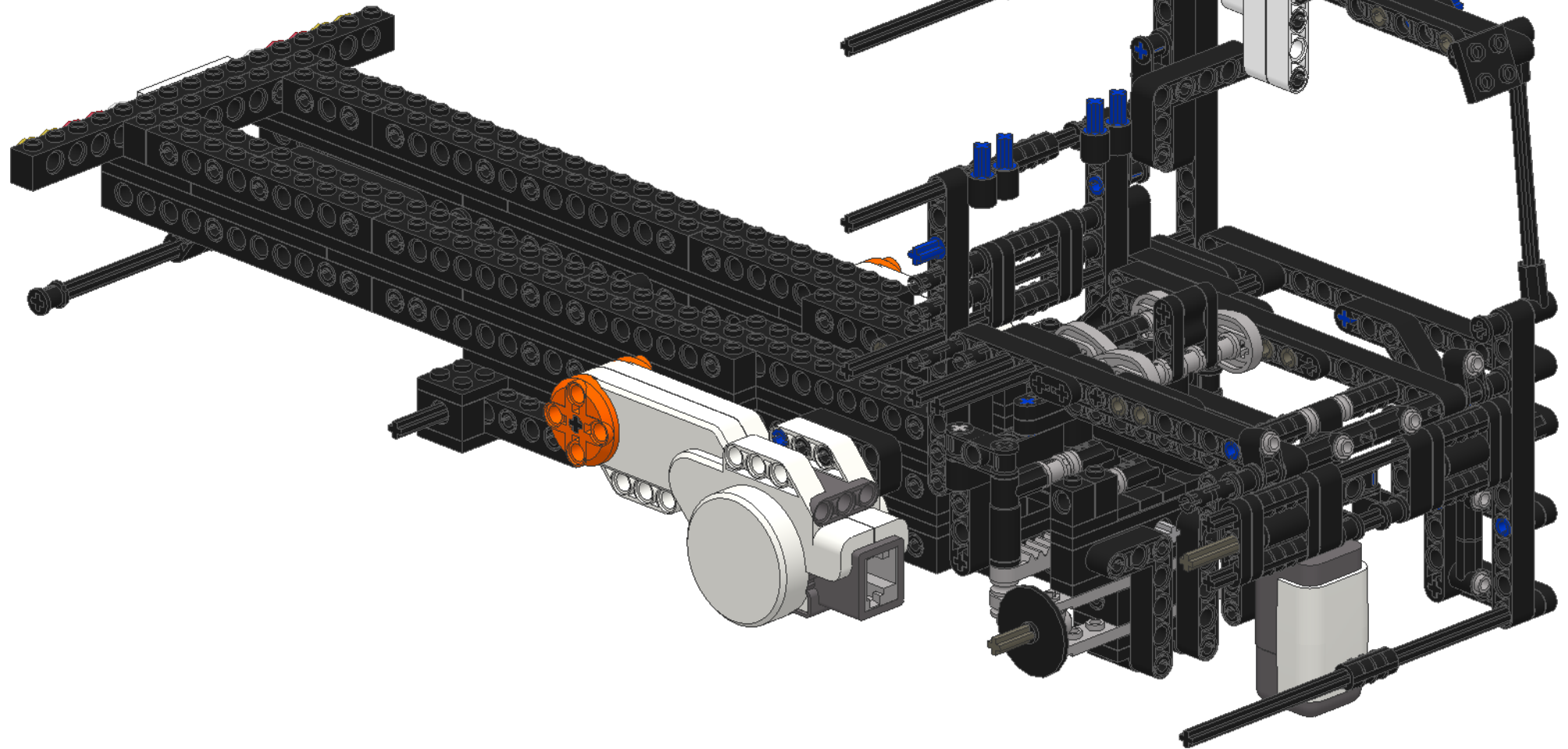
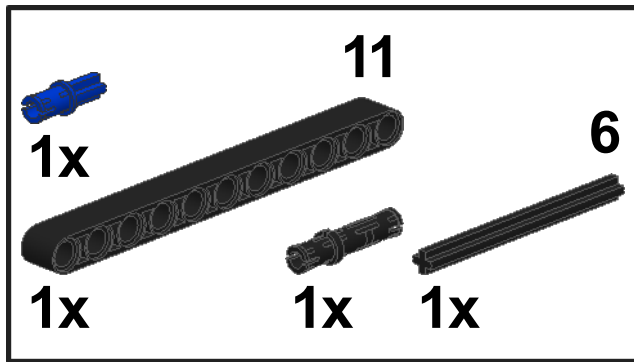
74



75

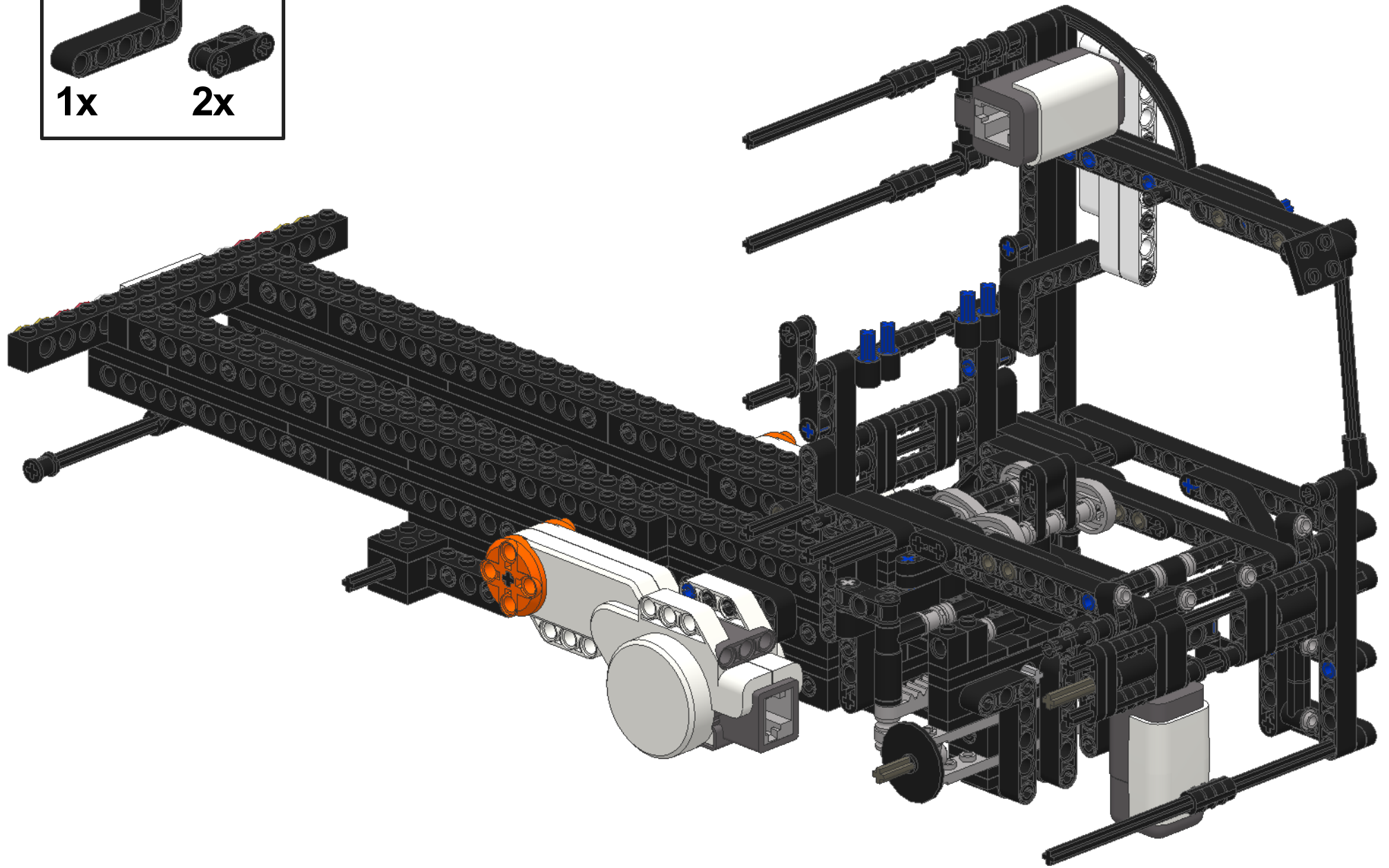
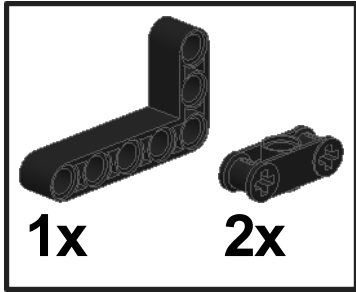


76



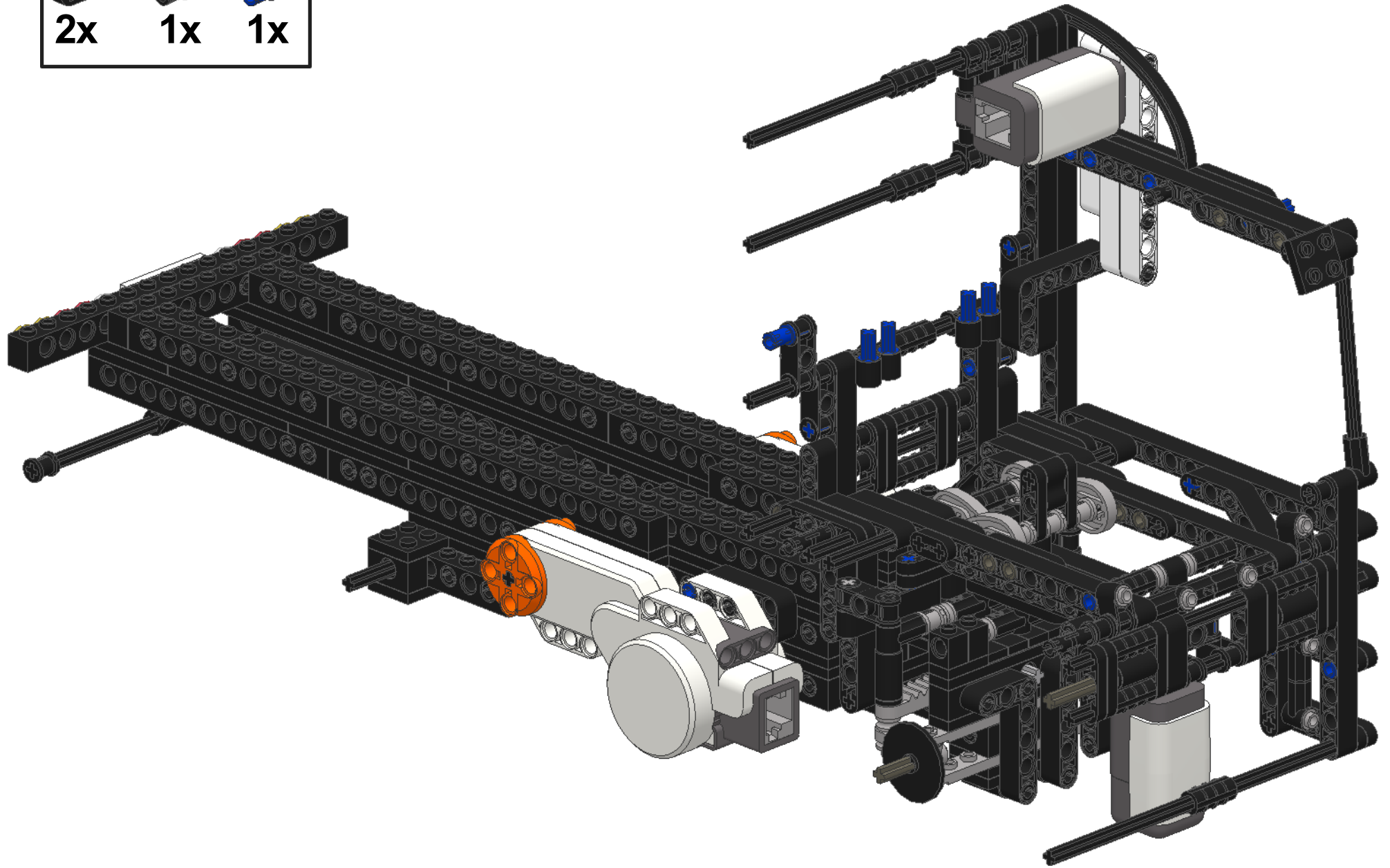
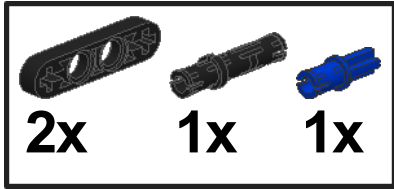
72

77

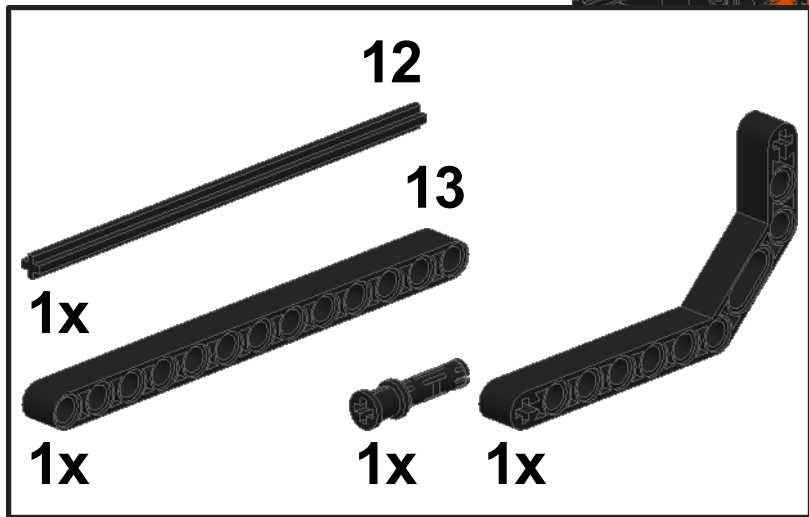
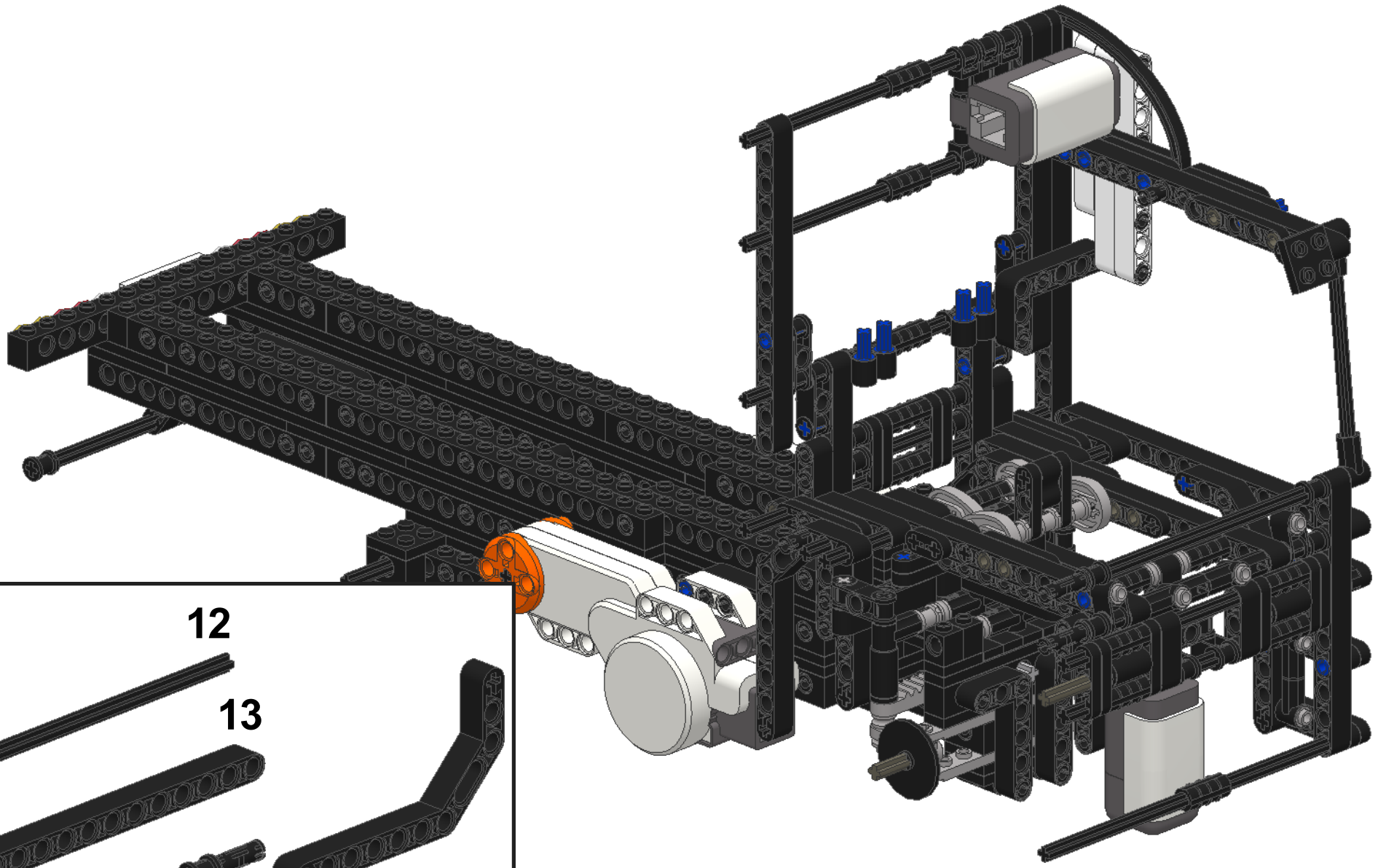


73

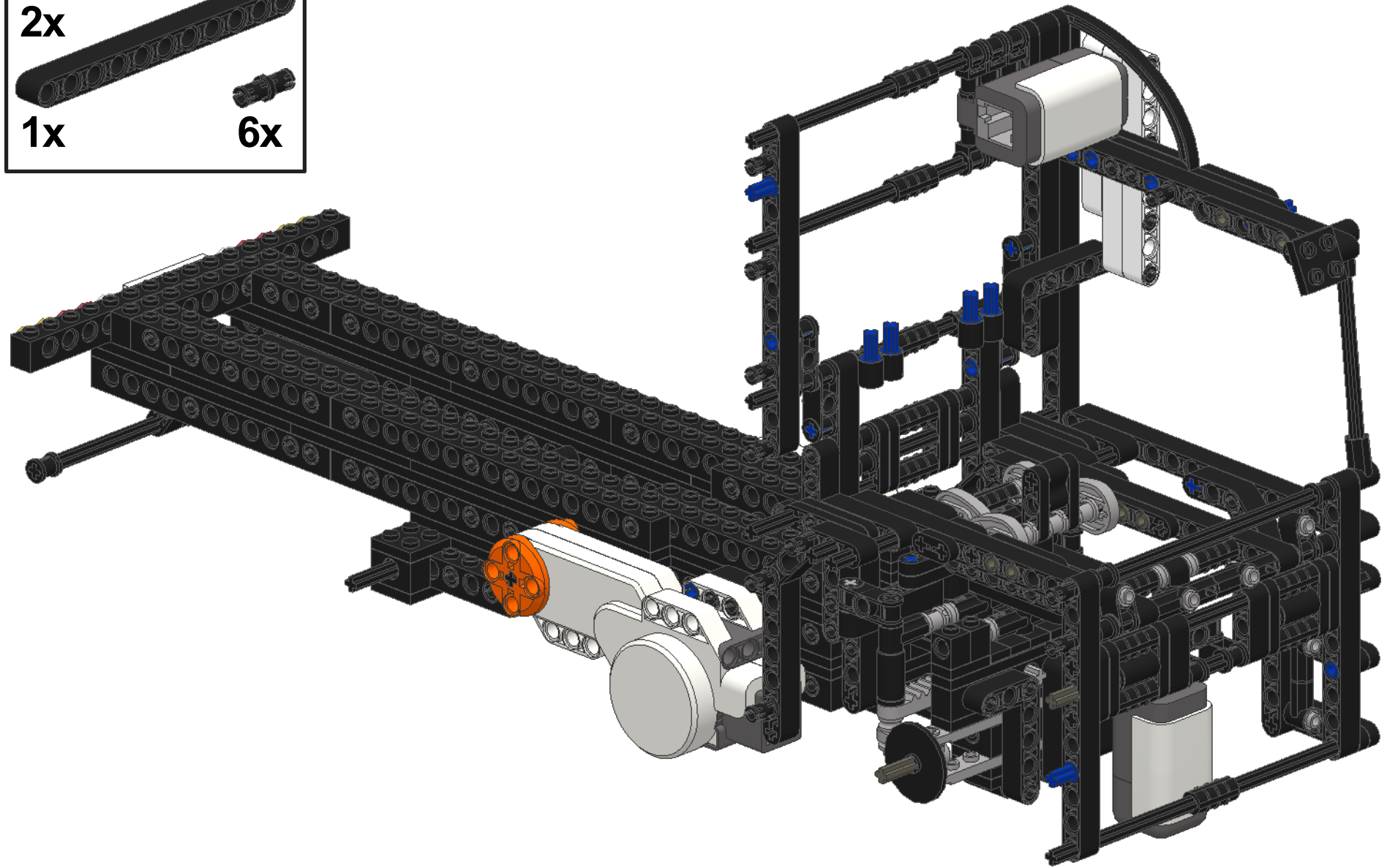
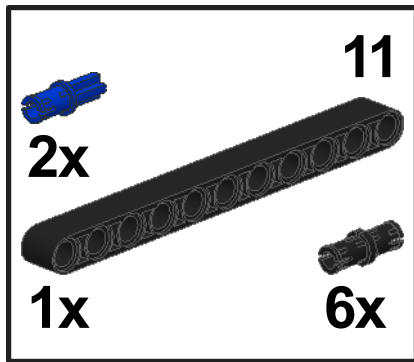
78



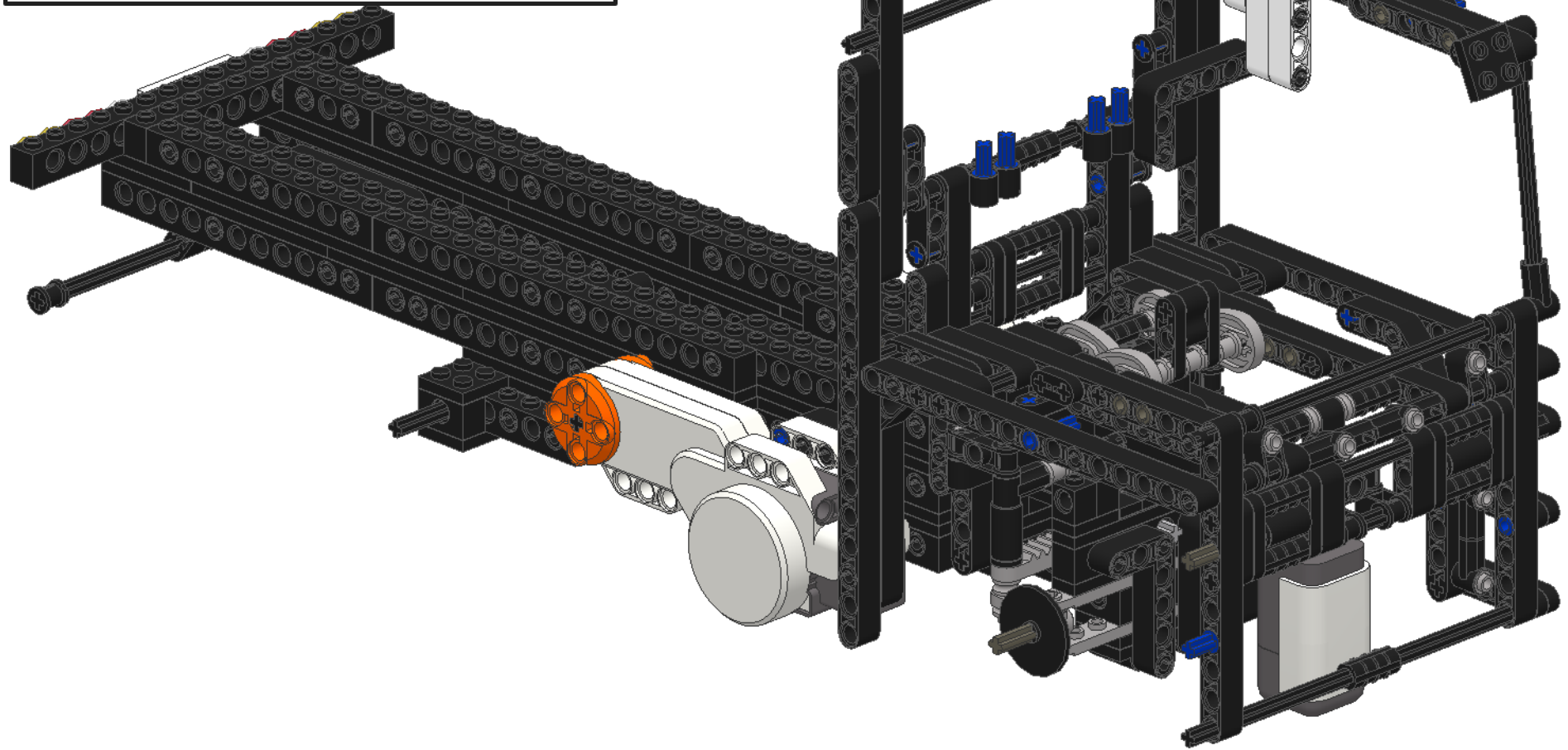
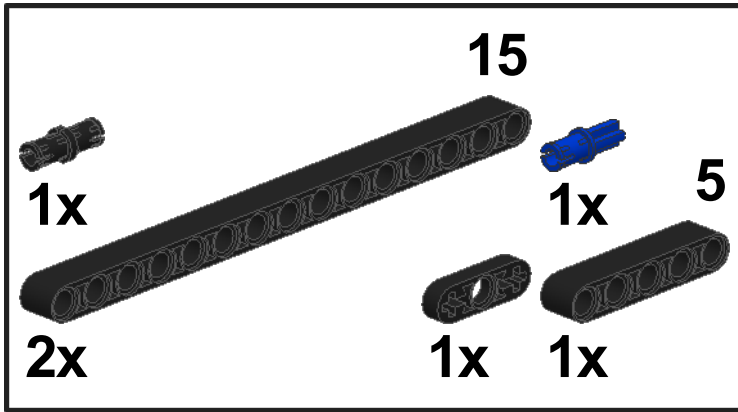
74



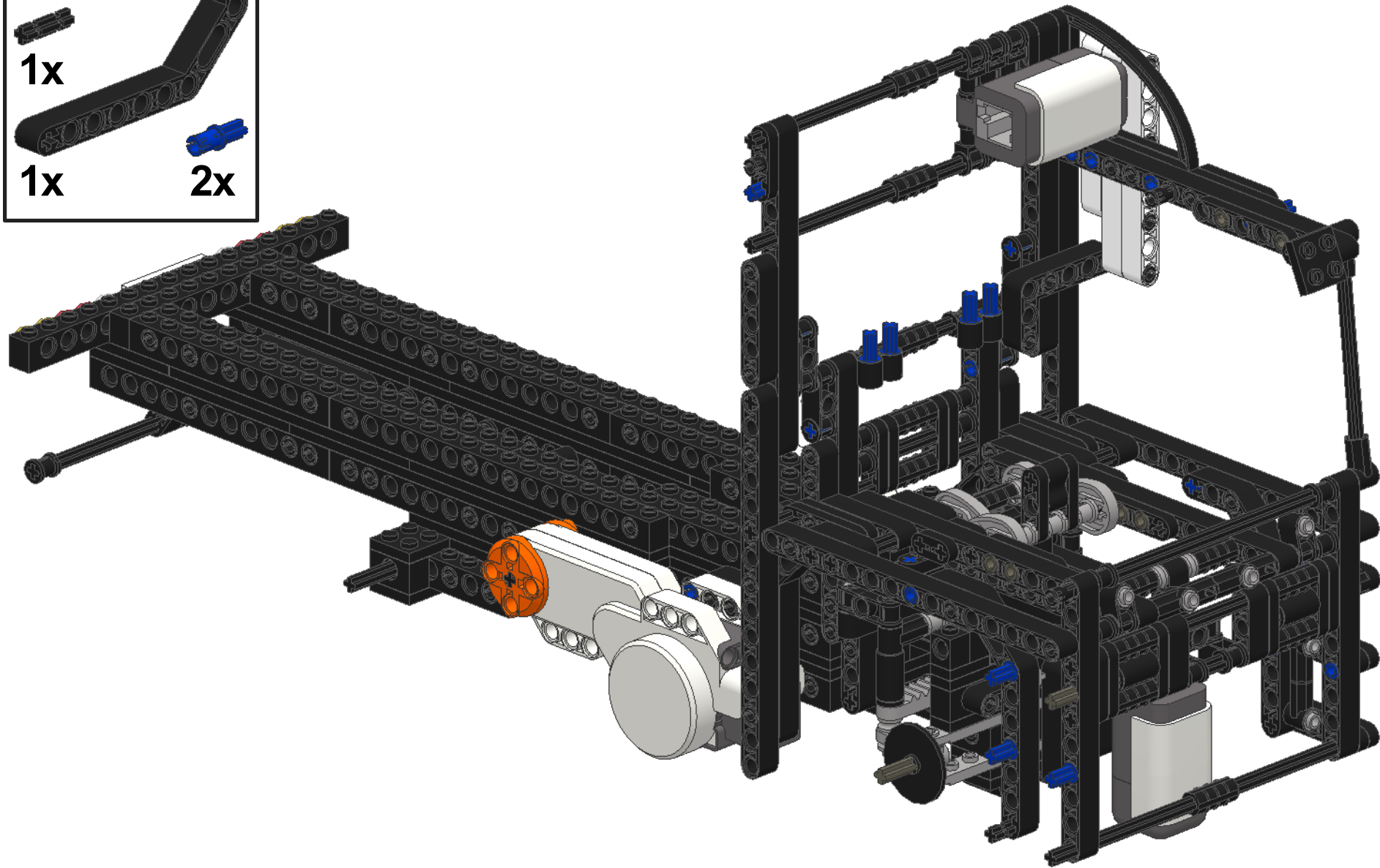
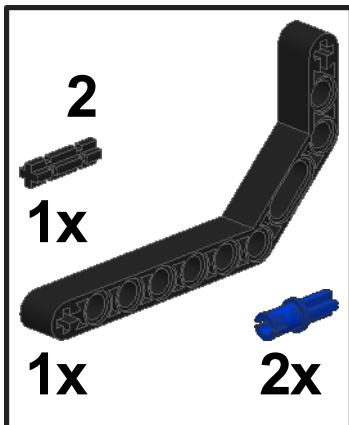
80



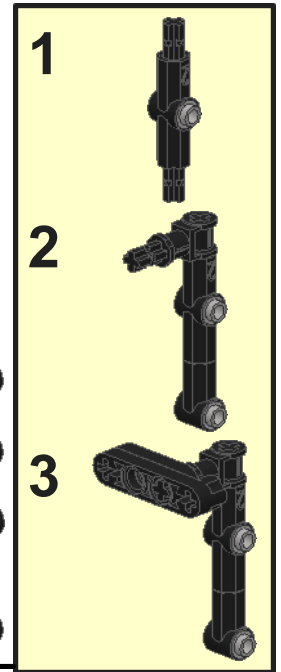
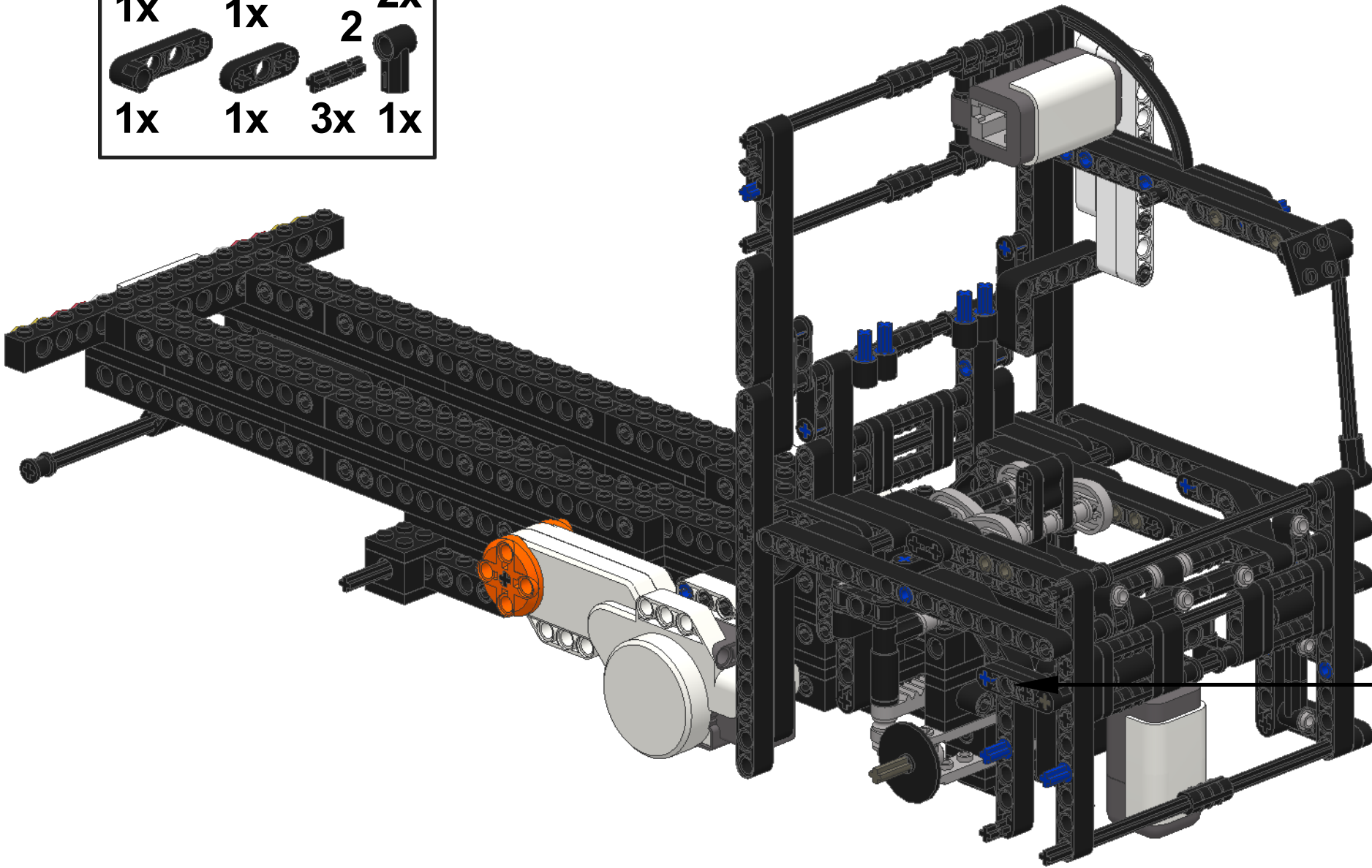
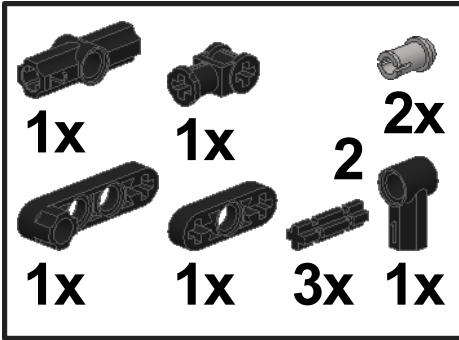
81



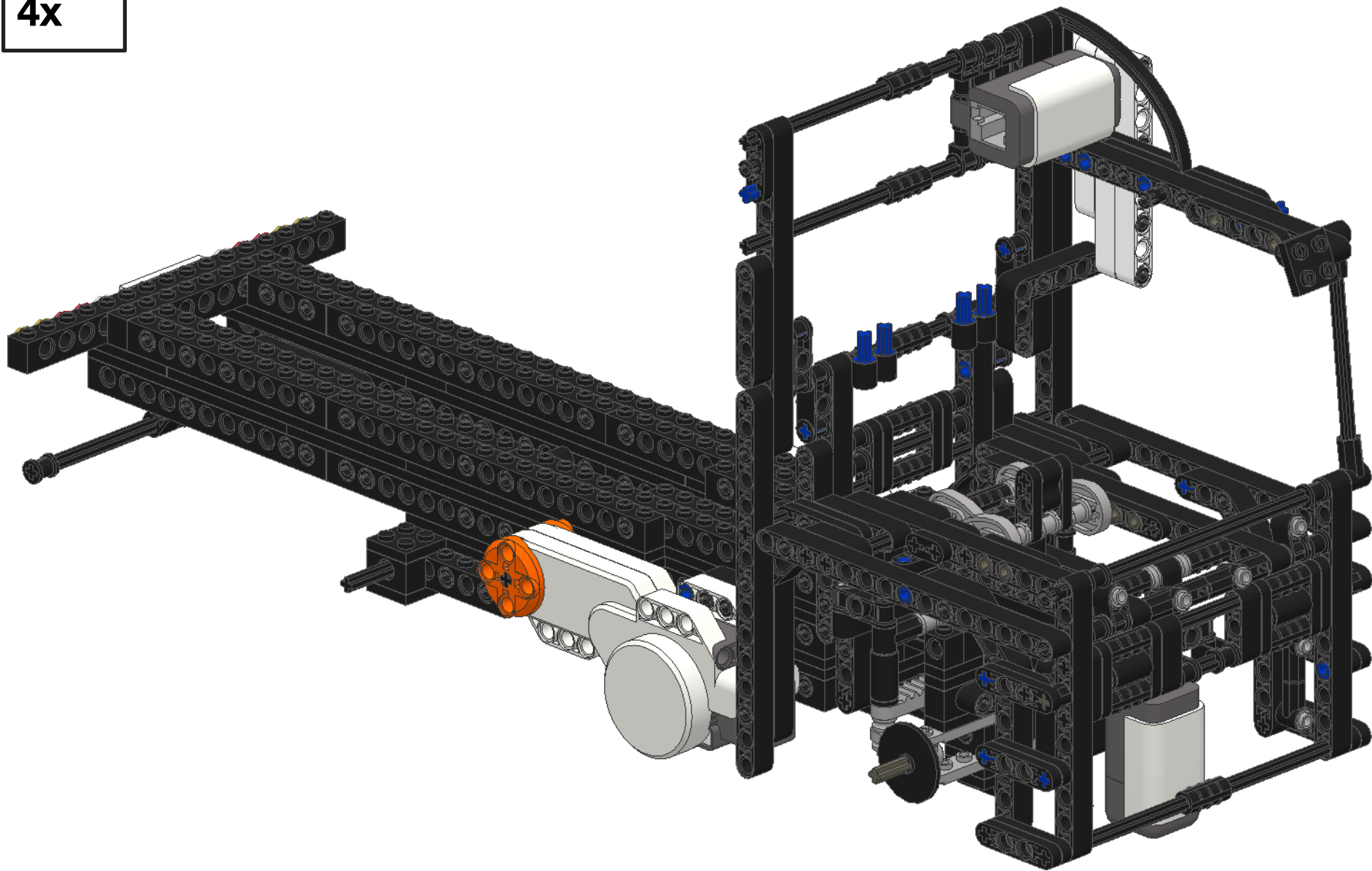
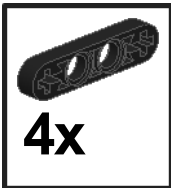
82



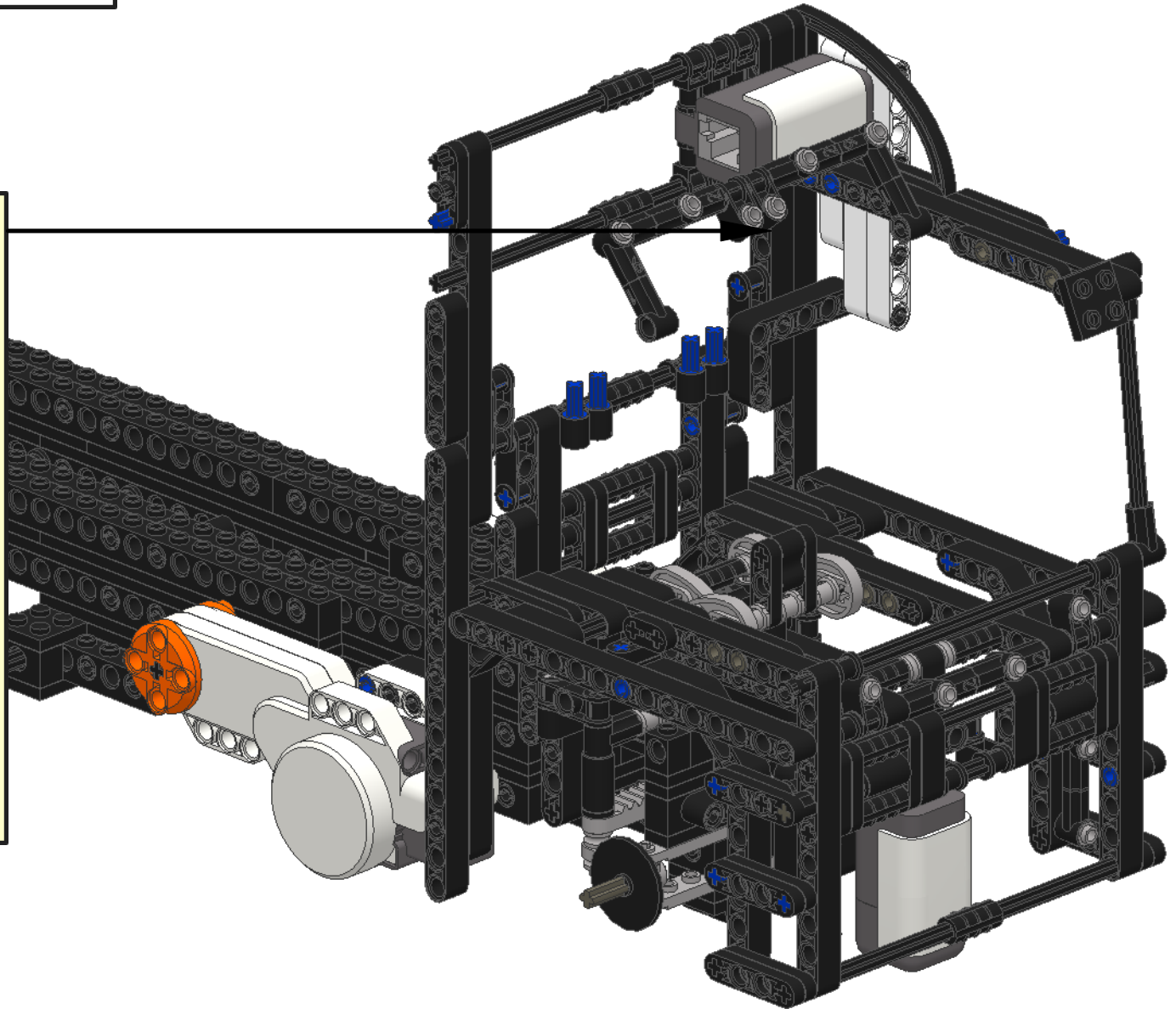
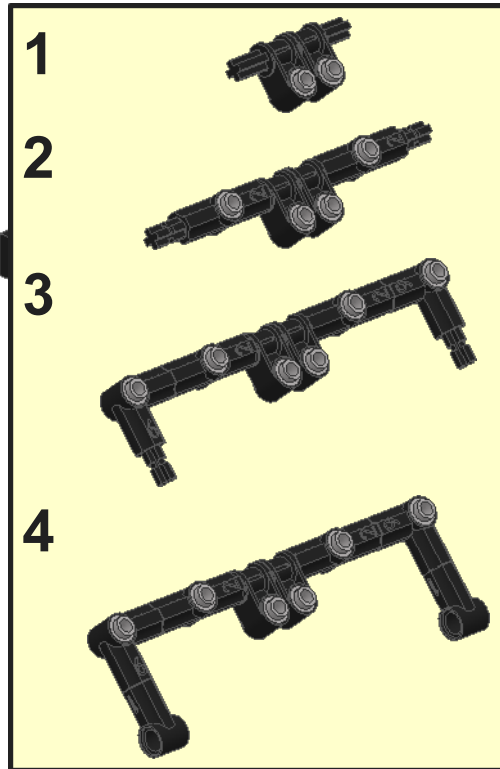
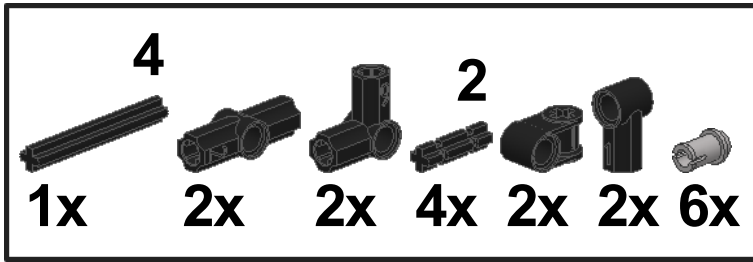
83



84

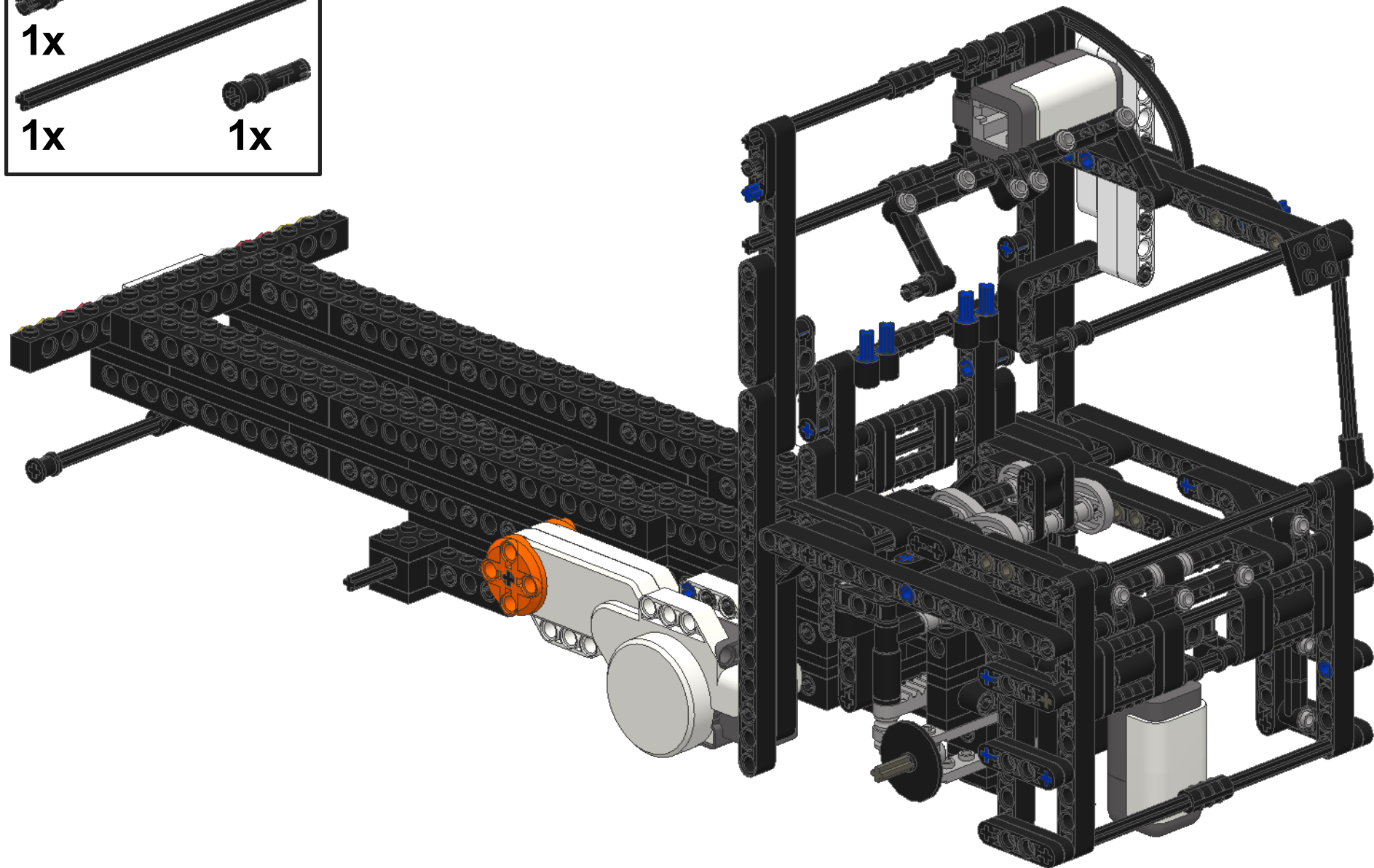
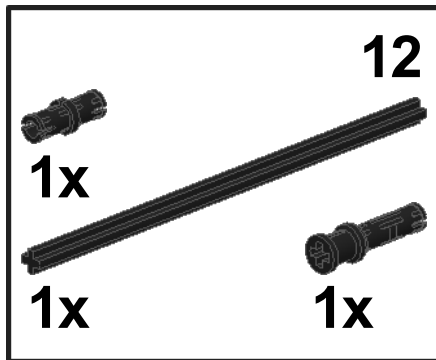


85

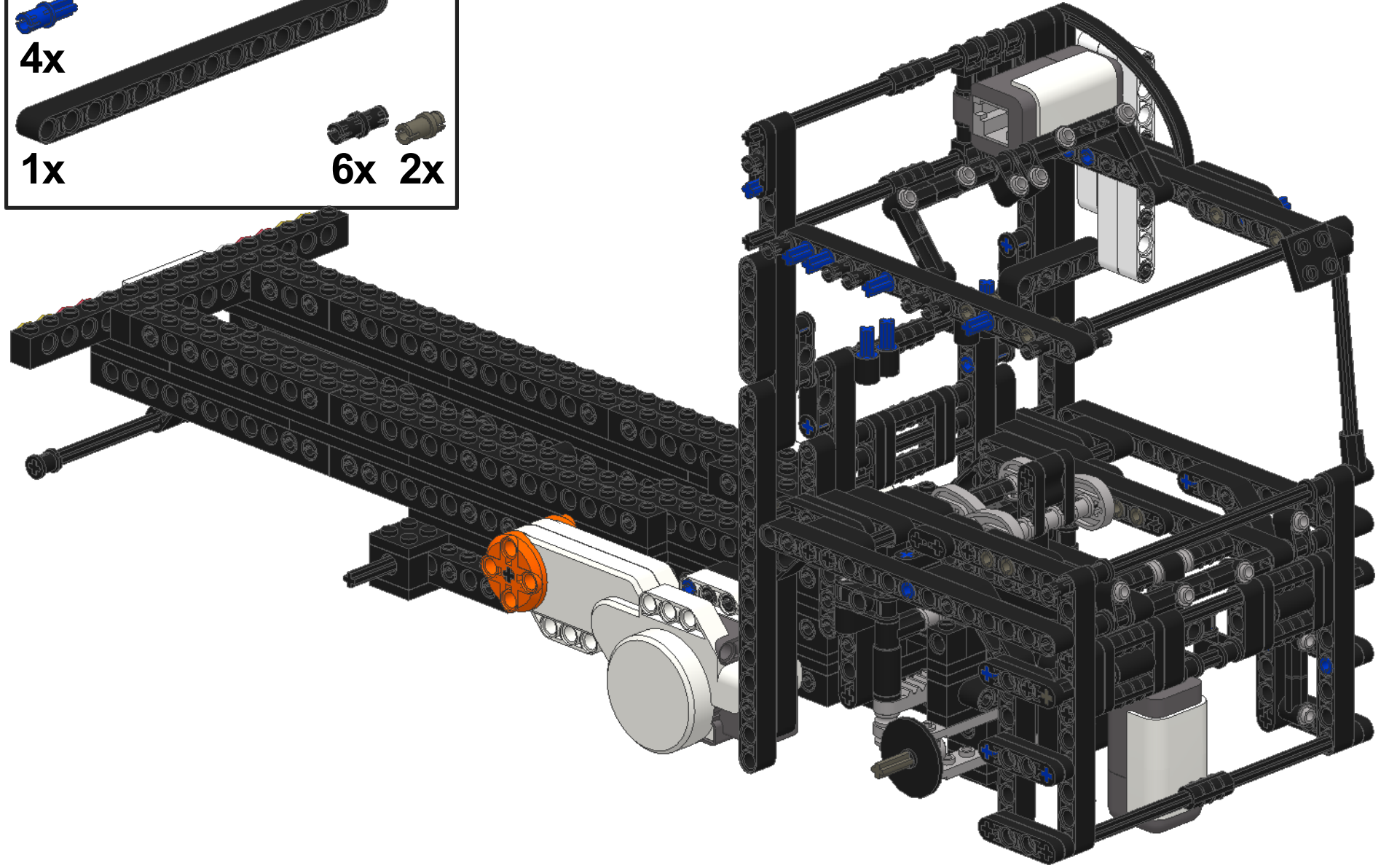
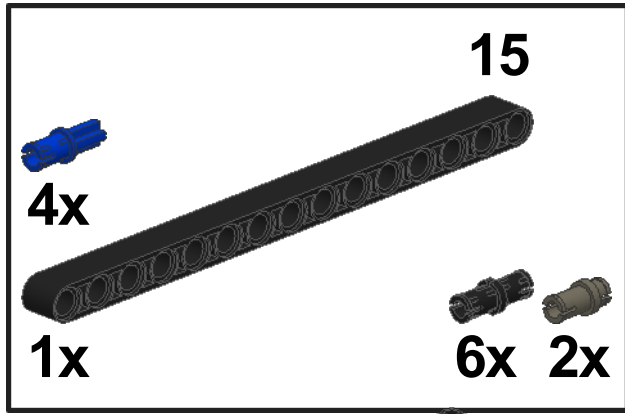


81

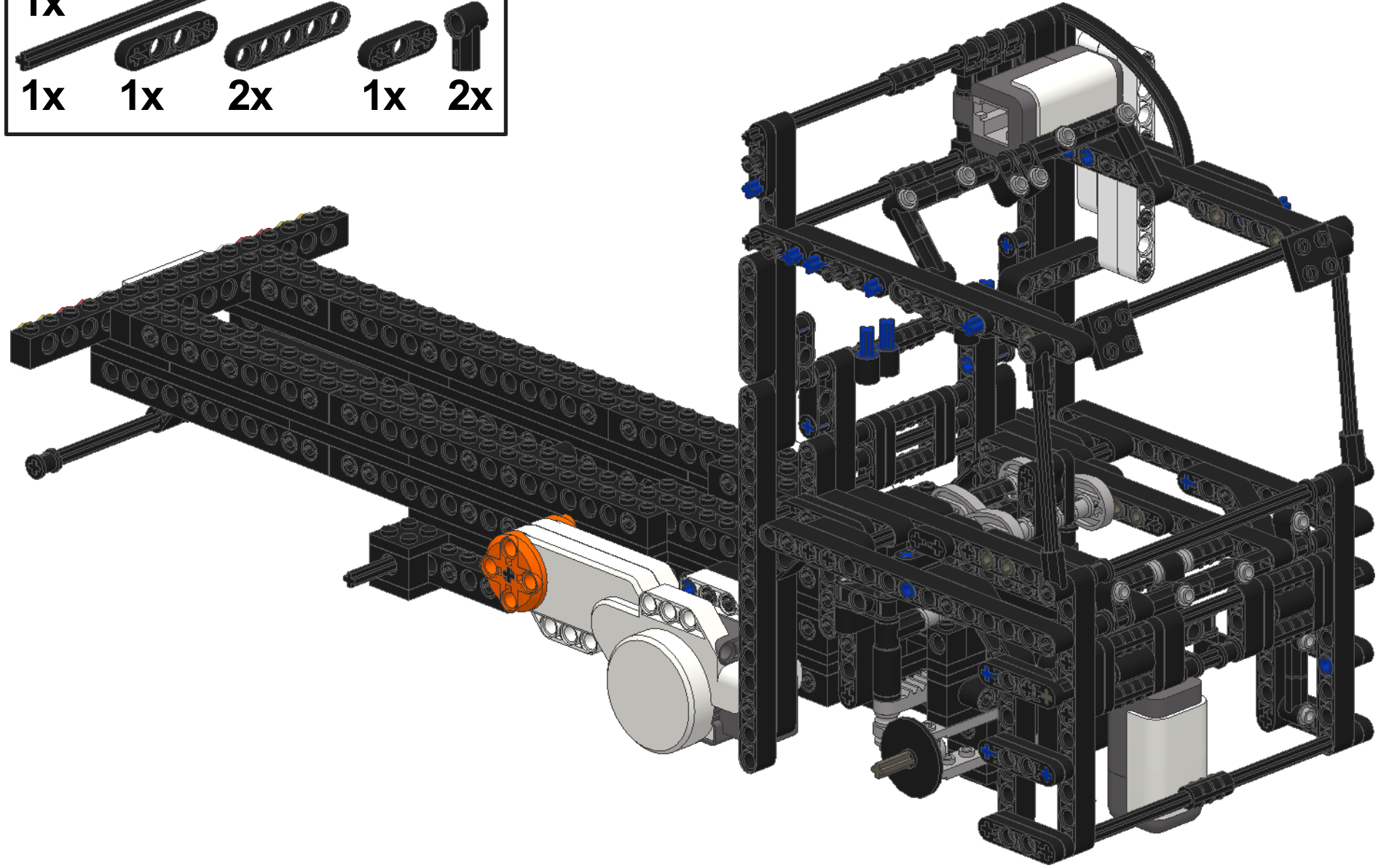
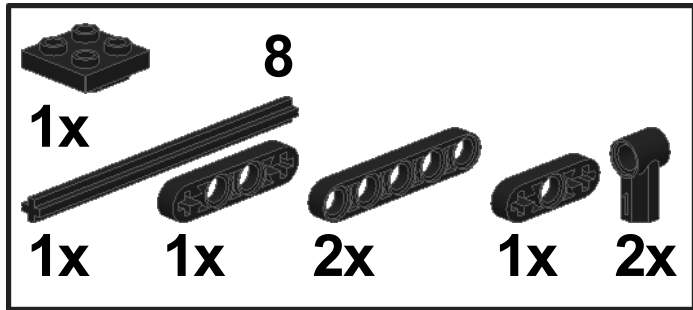
86



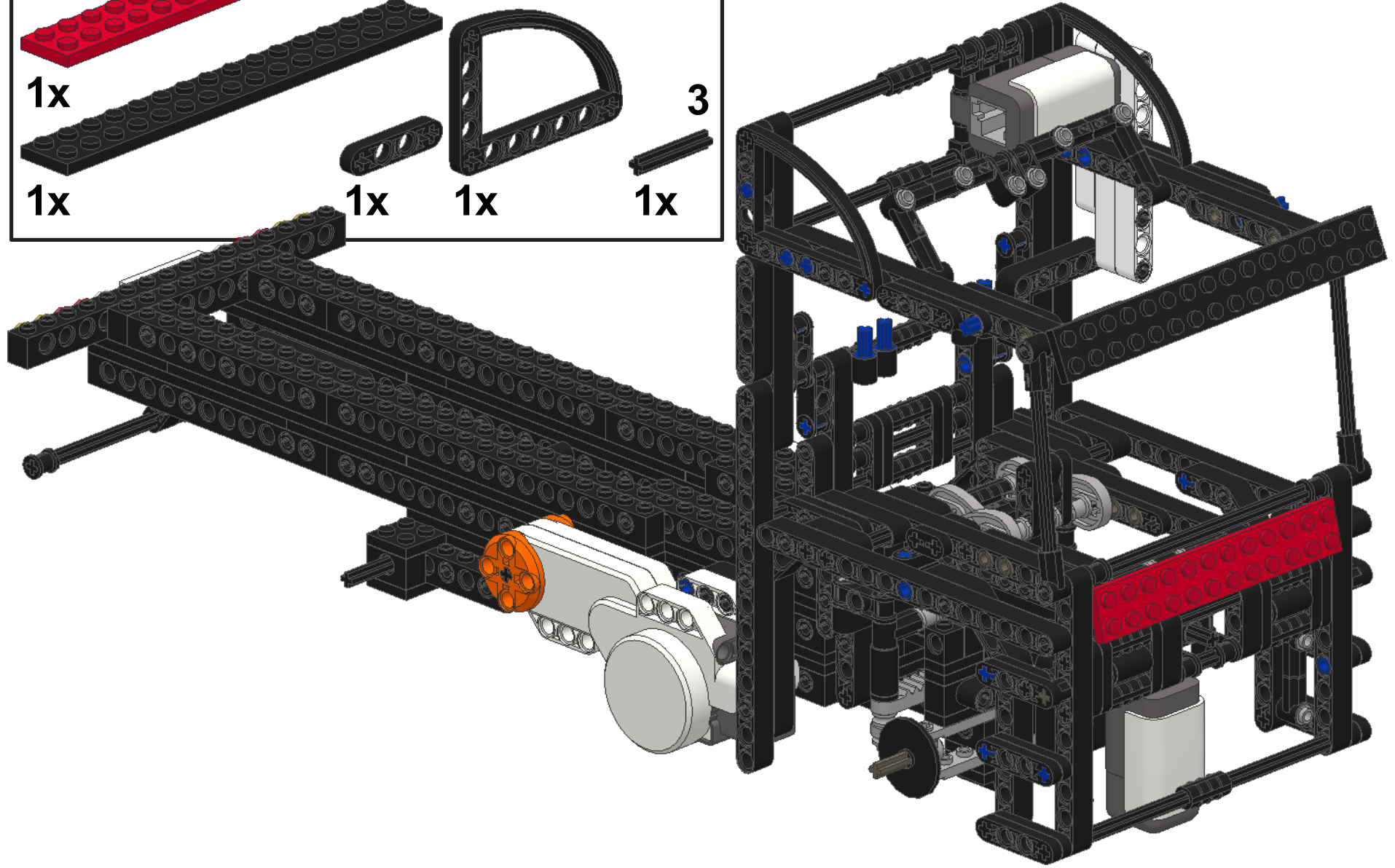
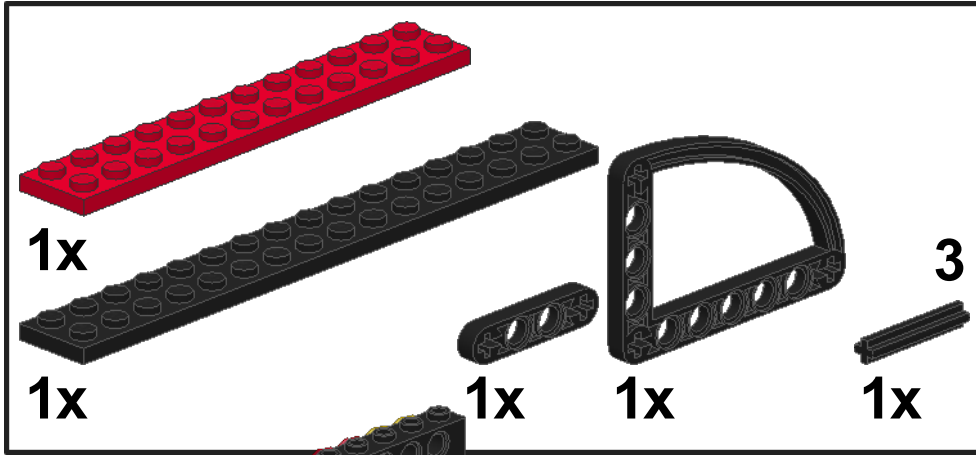
87



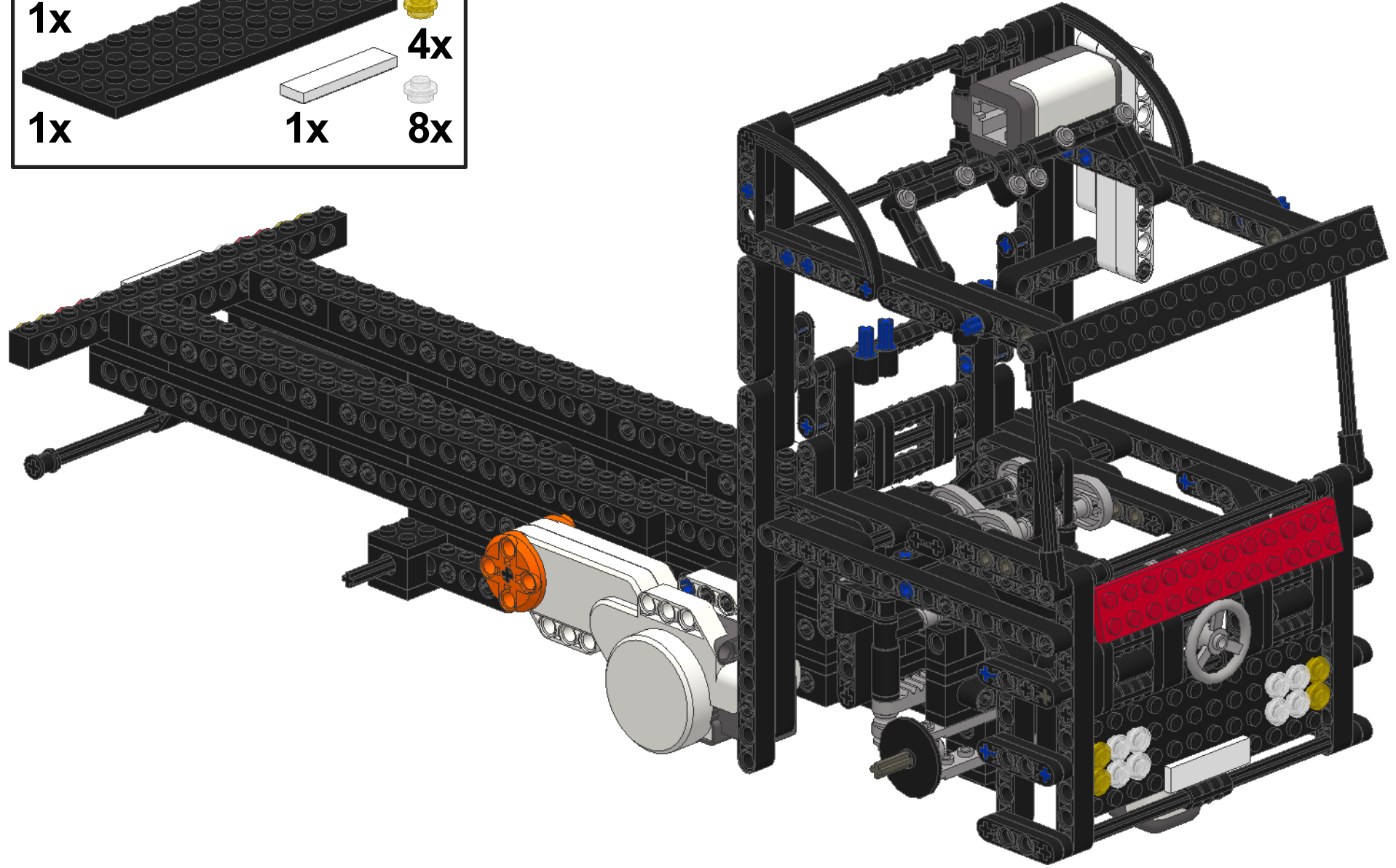
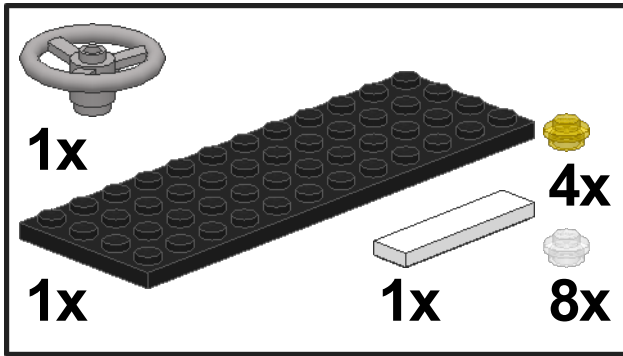
88

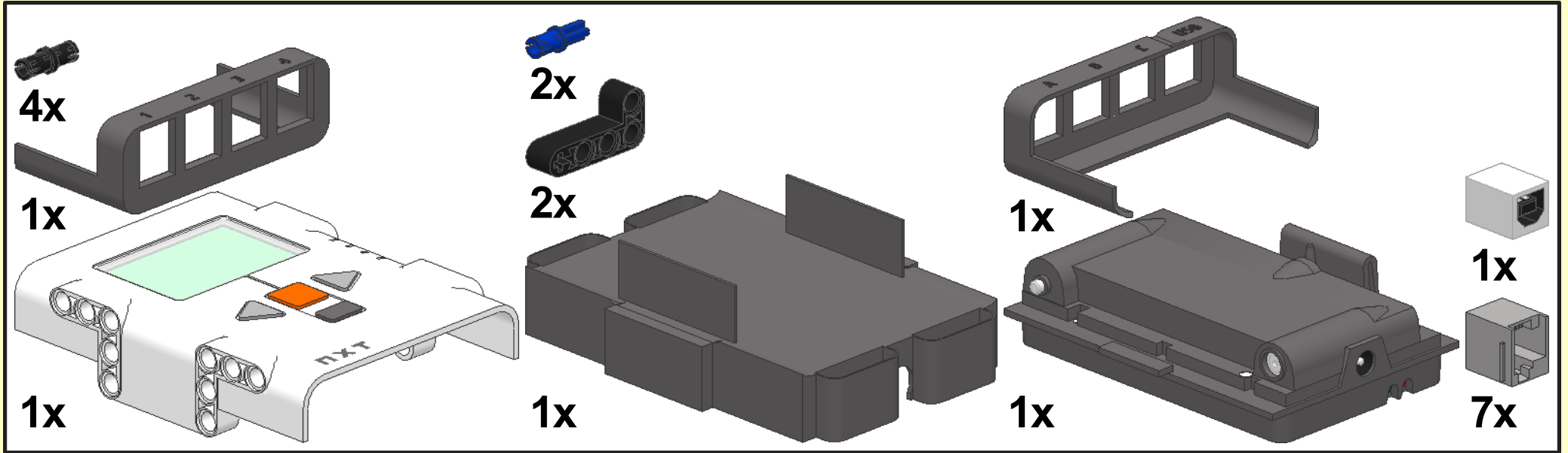


89

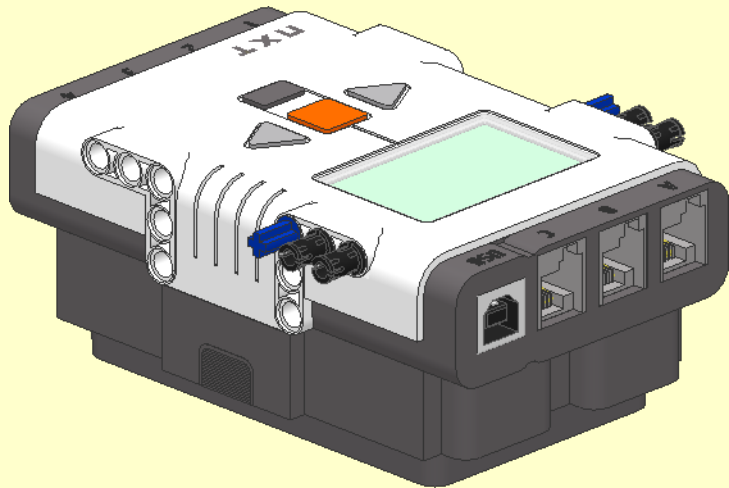


90

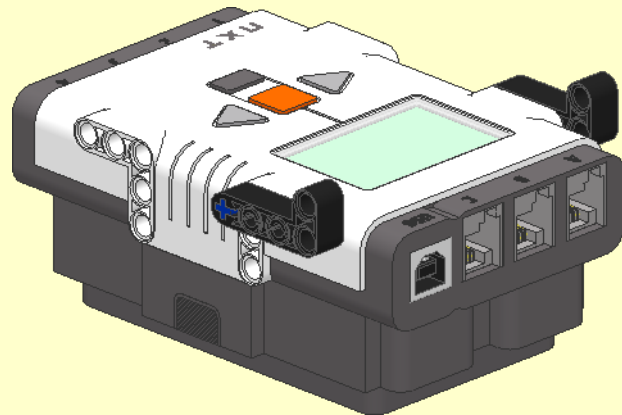


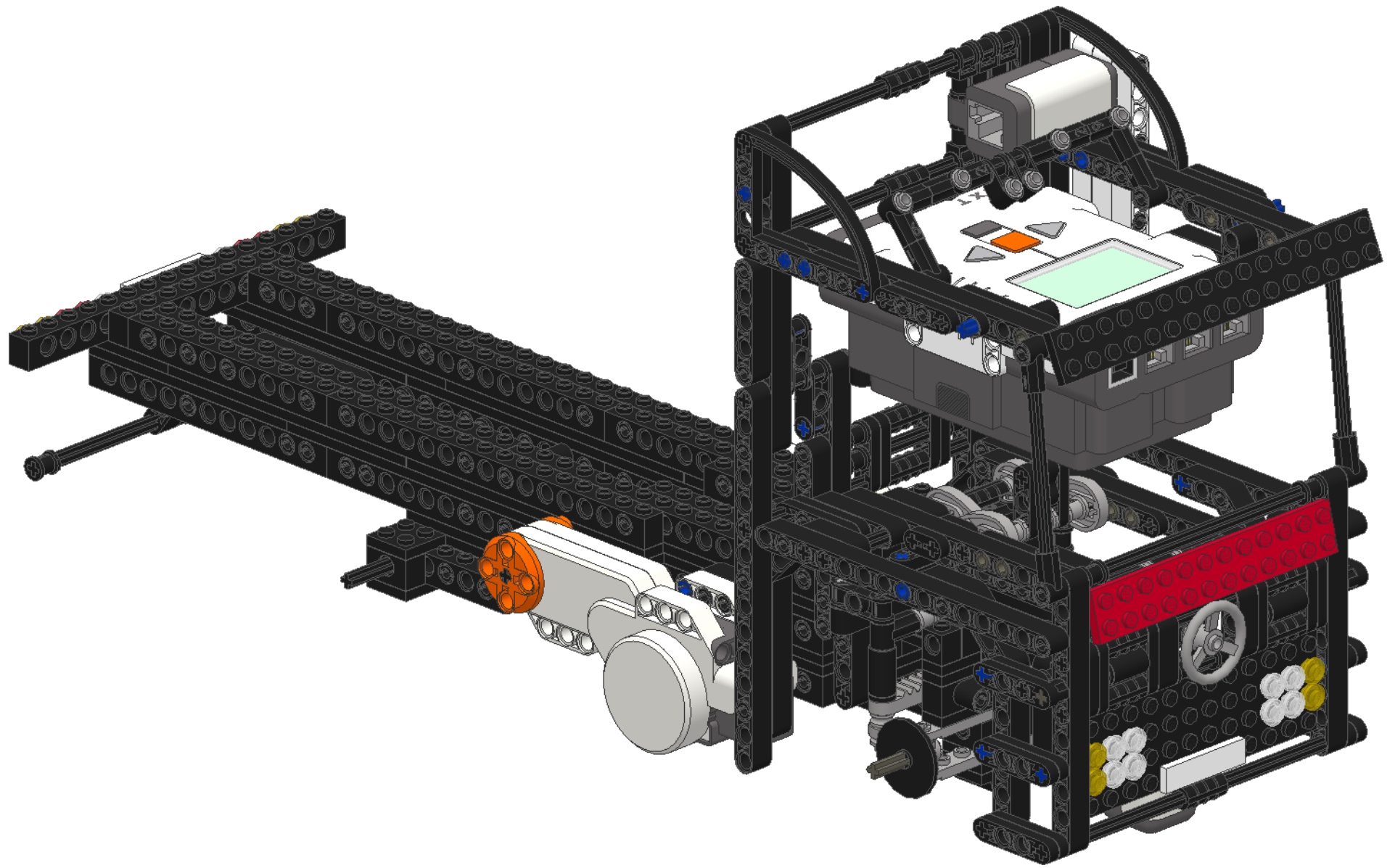


1

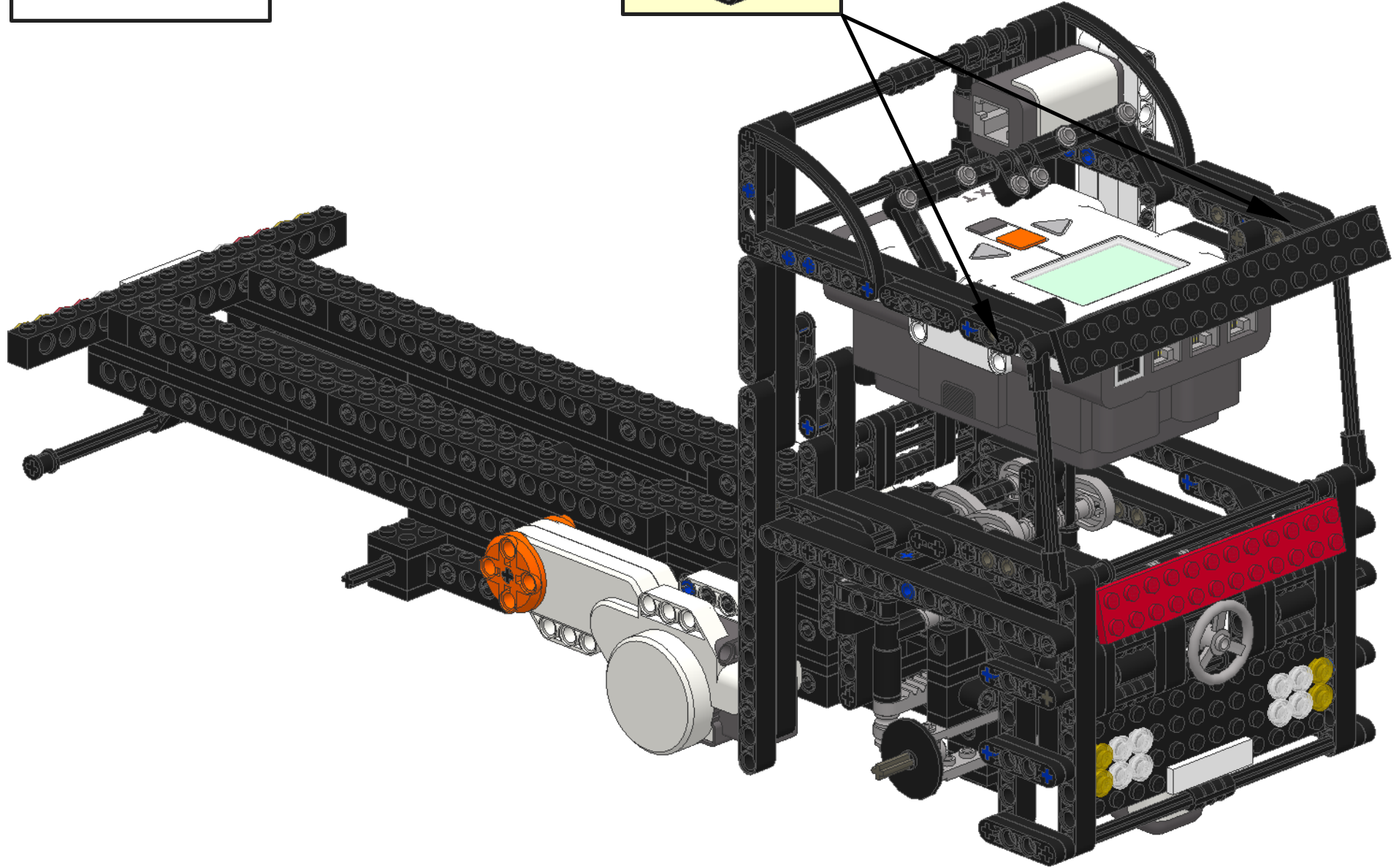
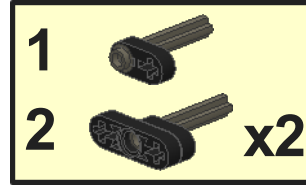
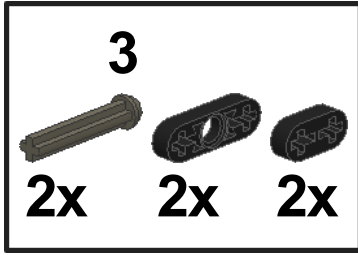


2

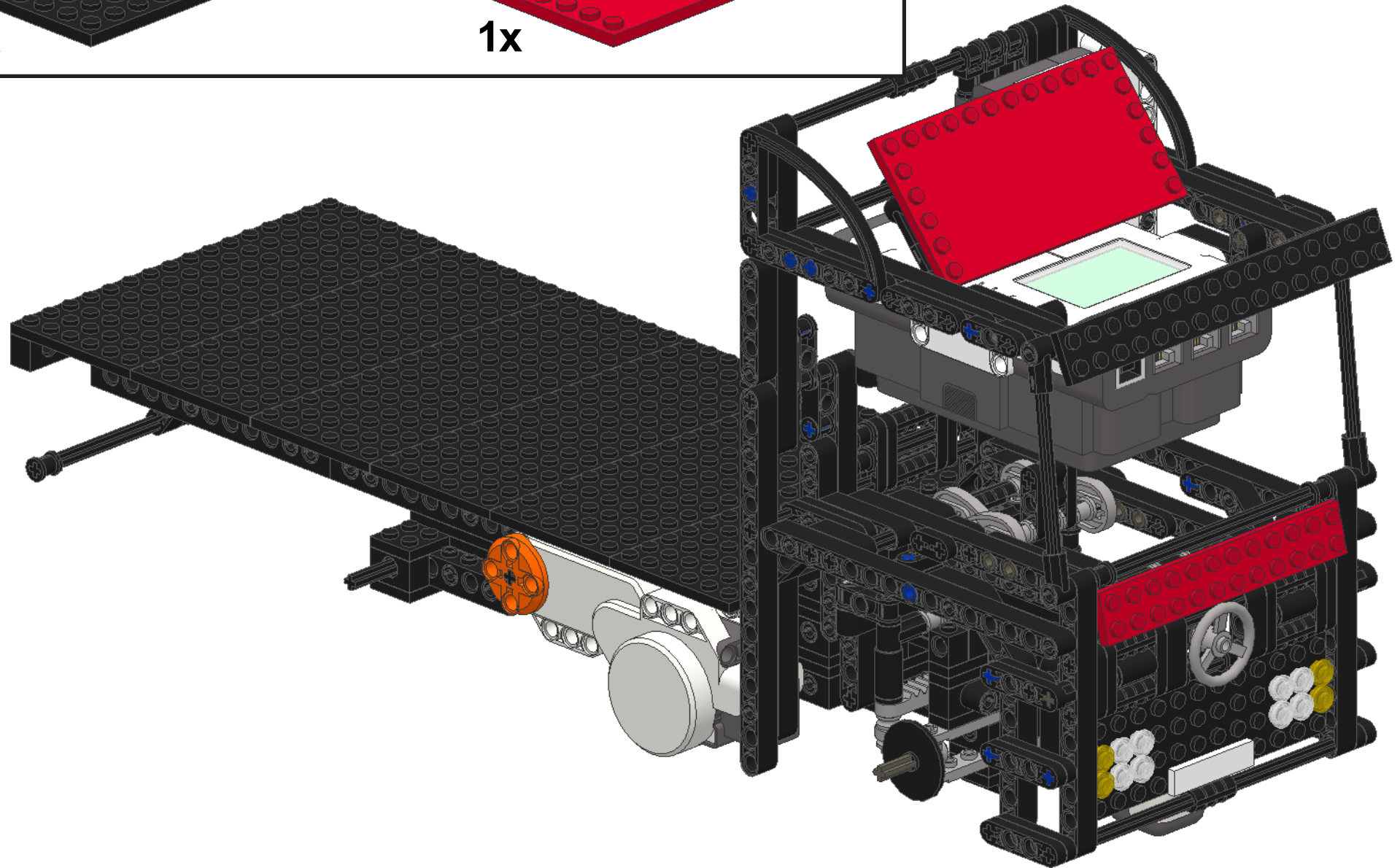
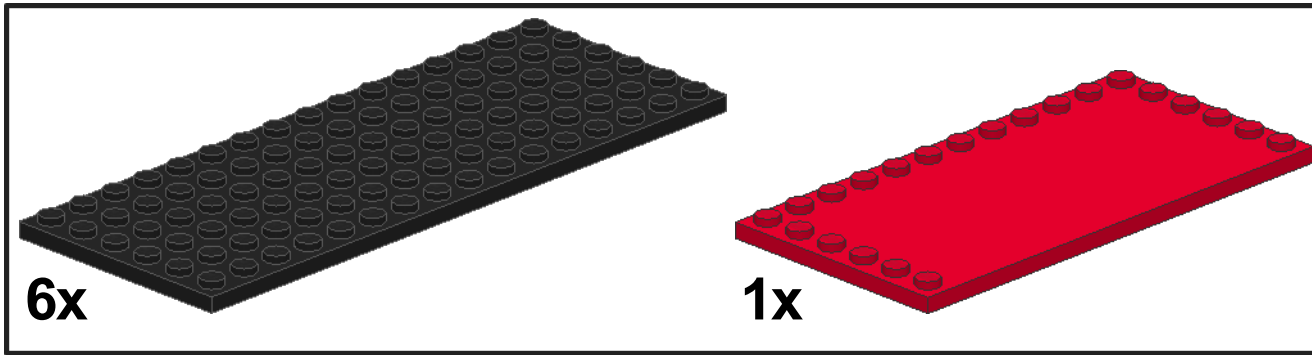




92

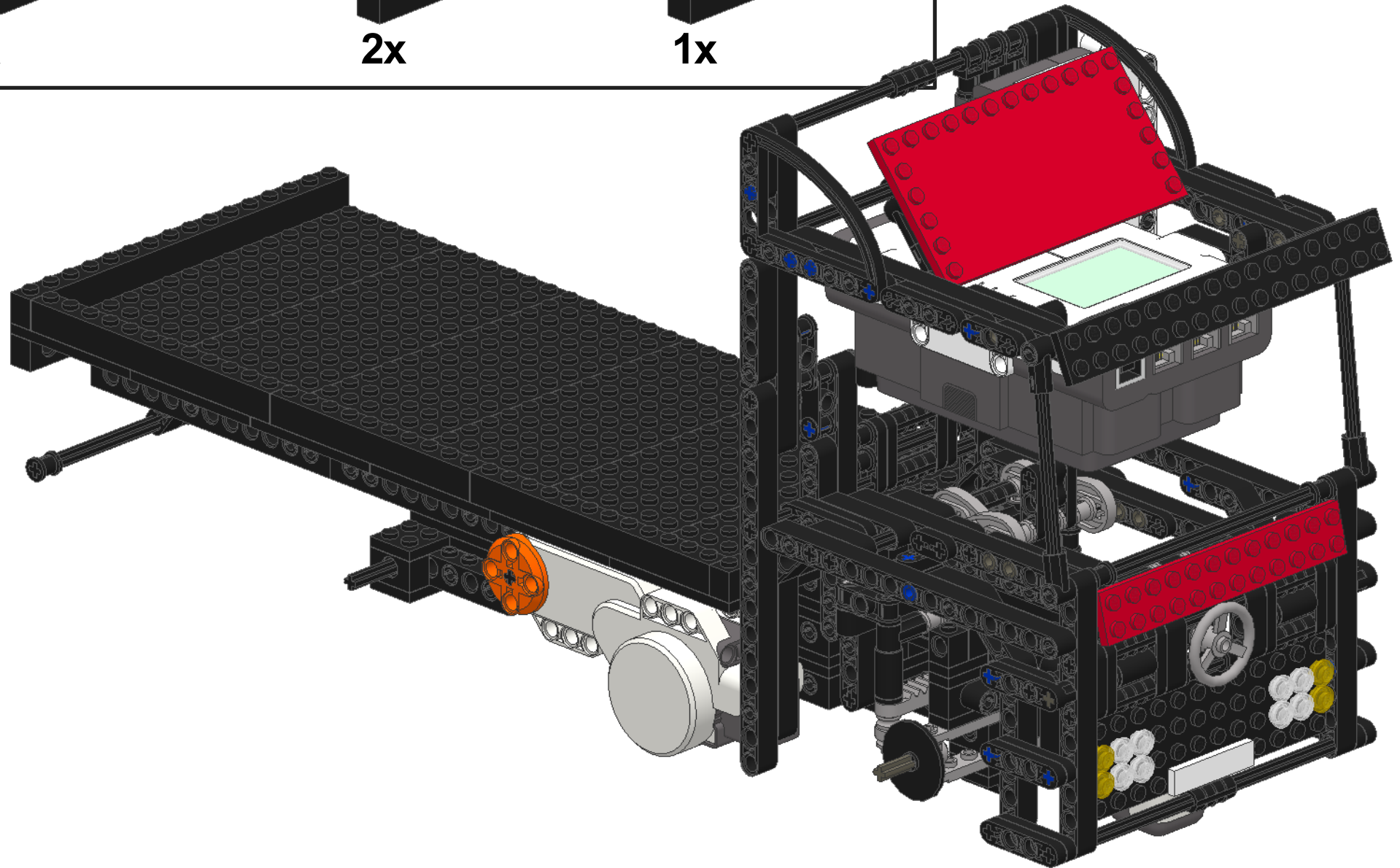
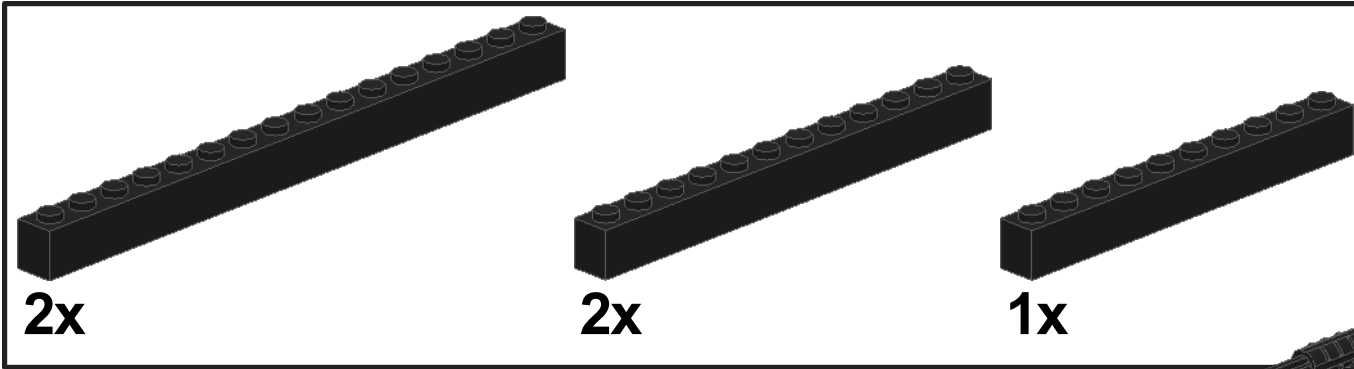


93



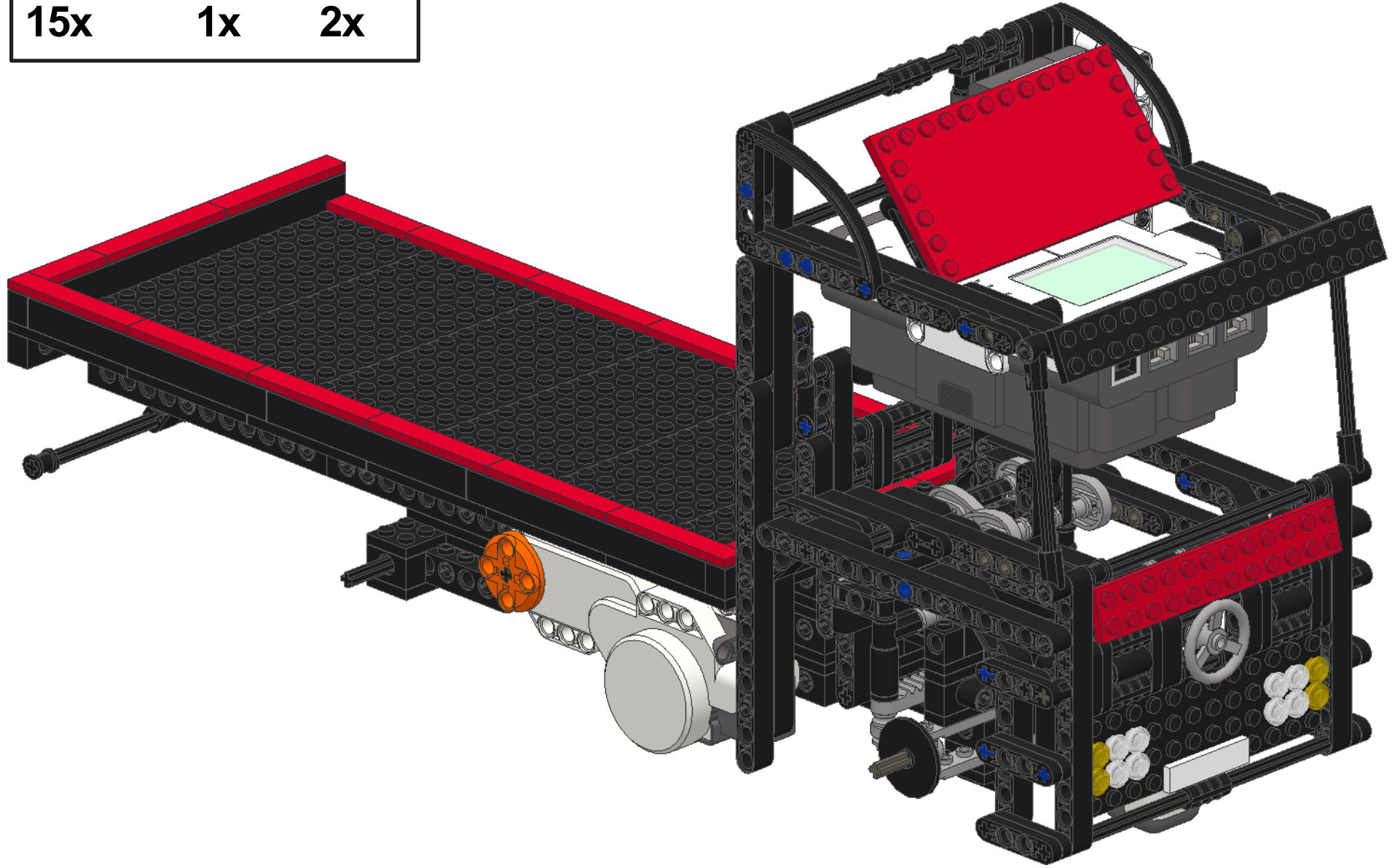
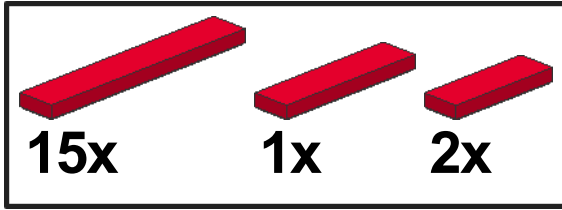
90

94

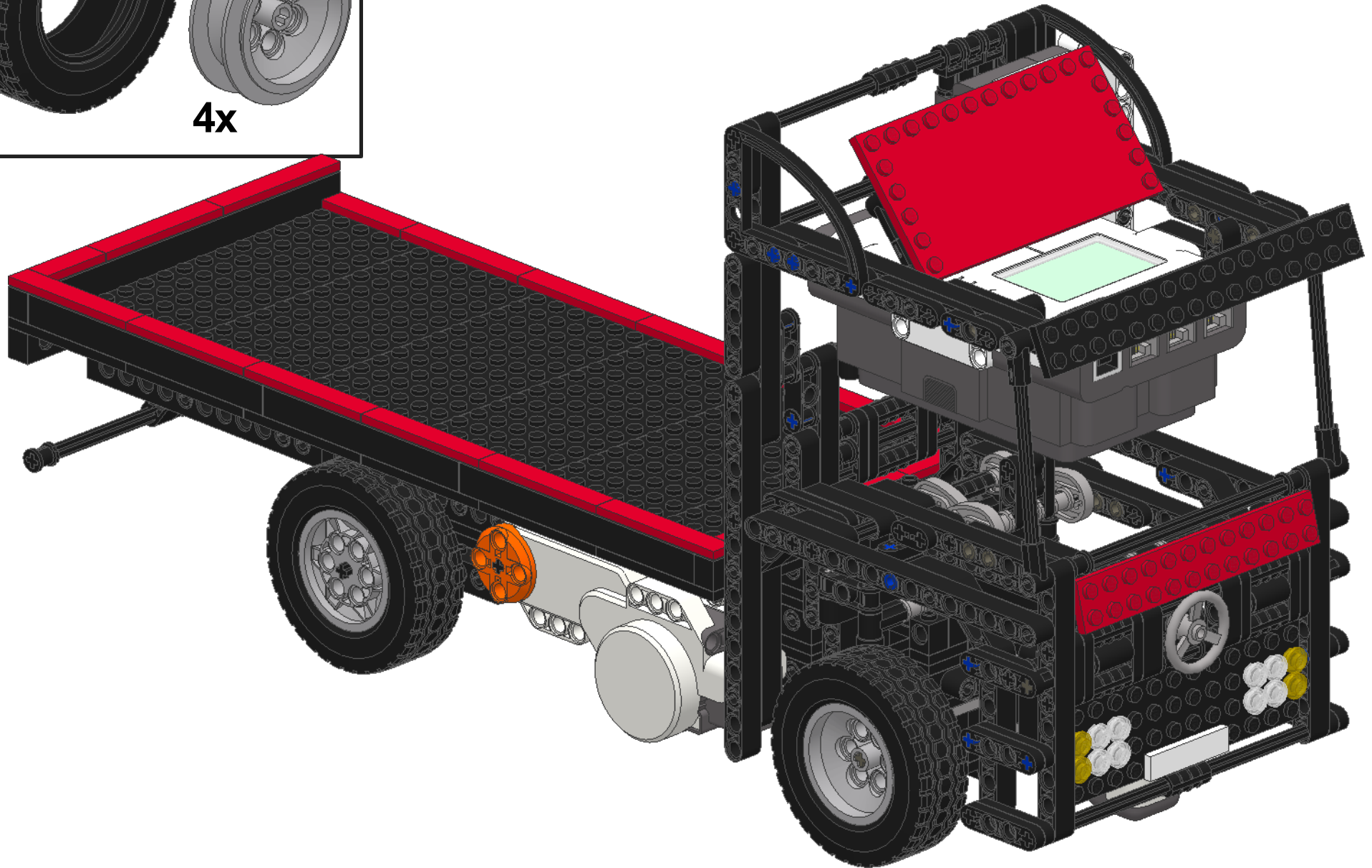
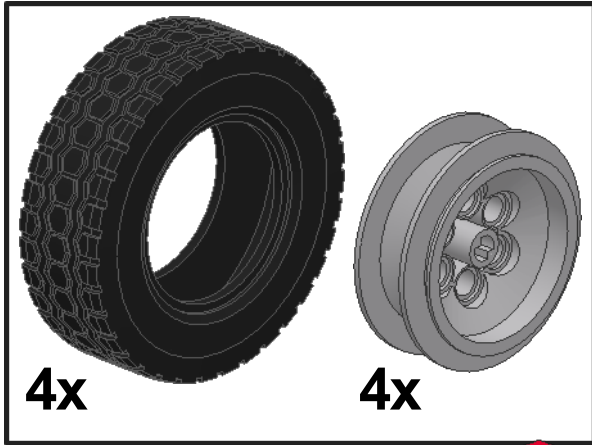


91

95



96



93