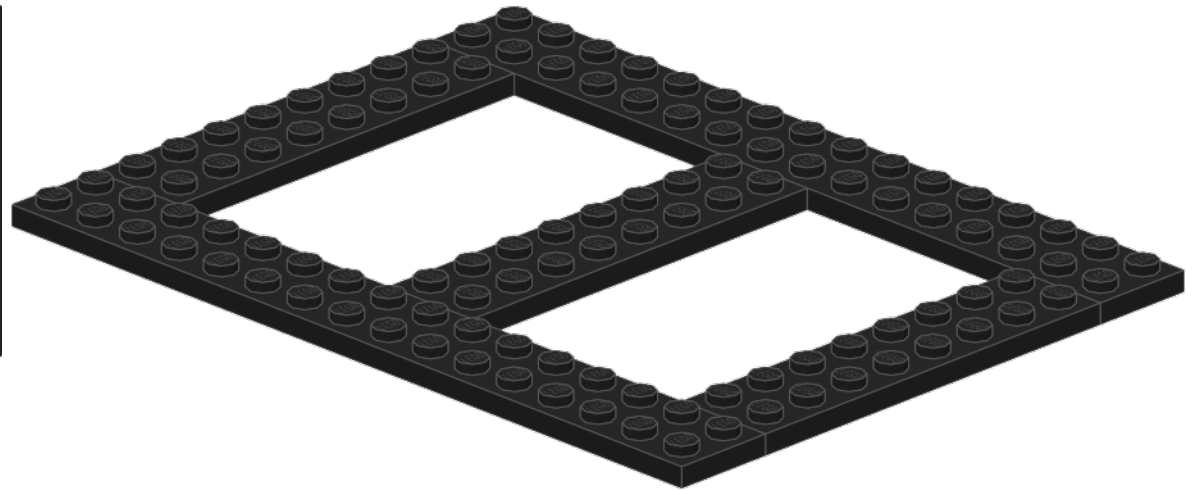
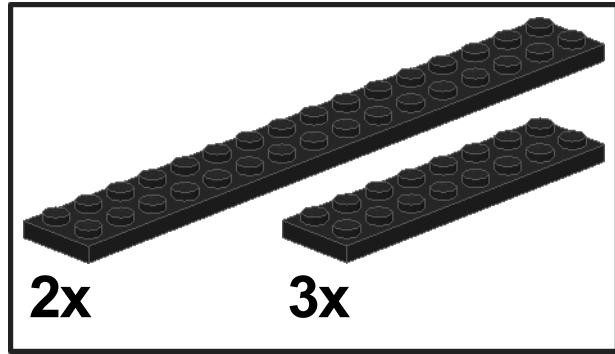
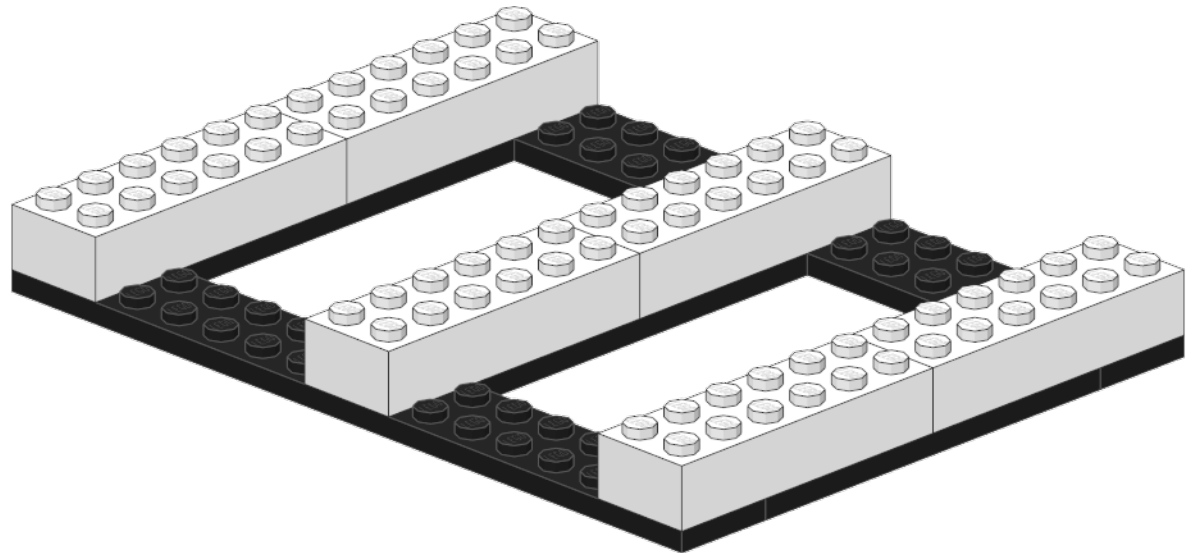
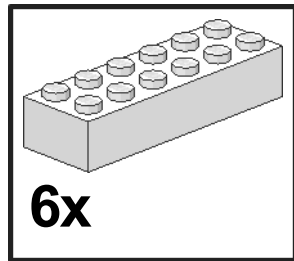


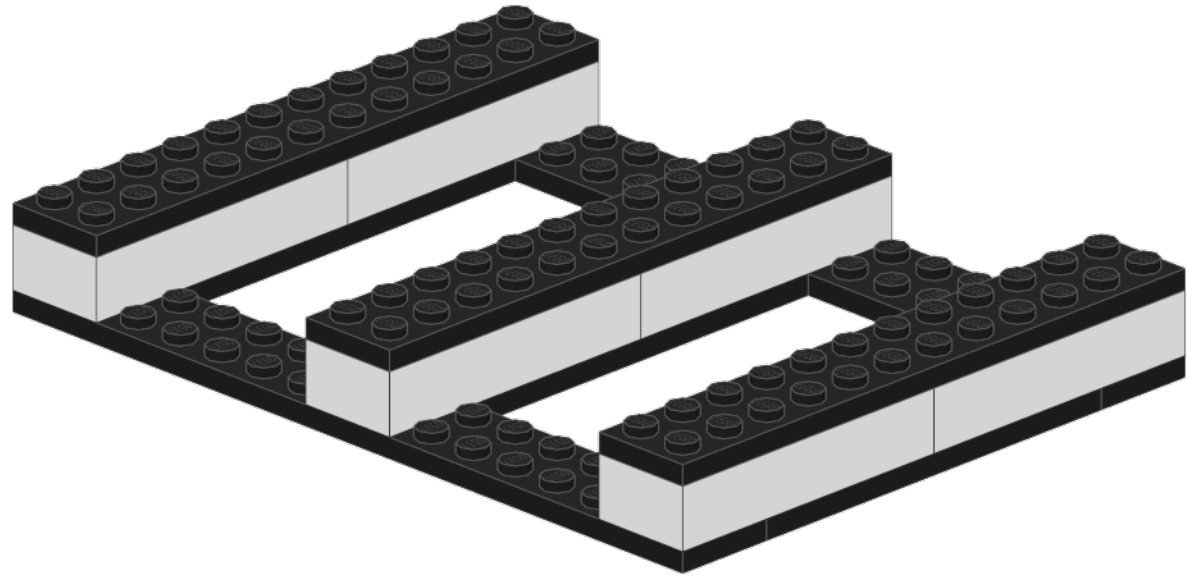
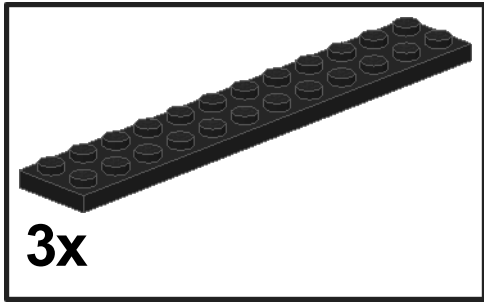
1



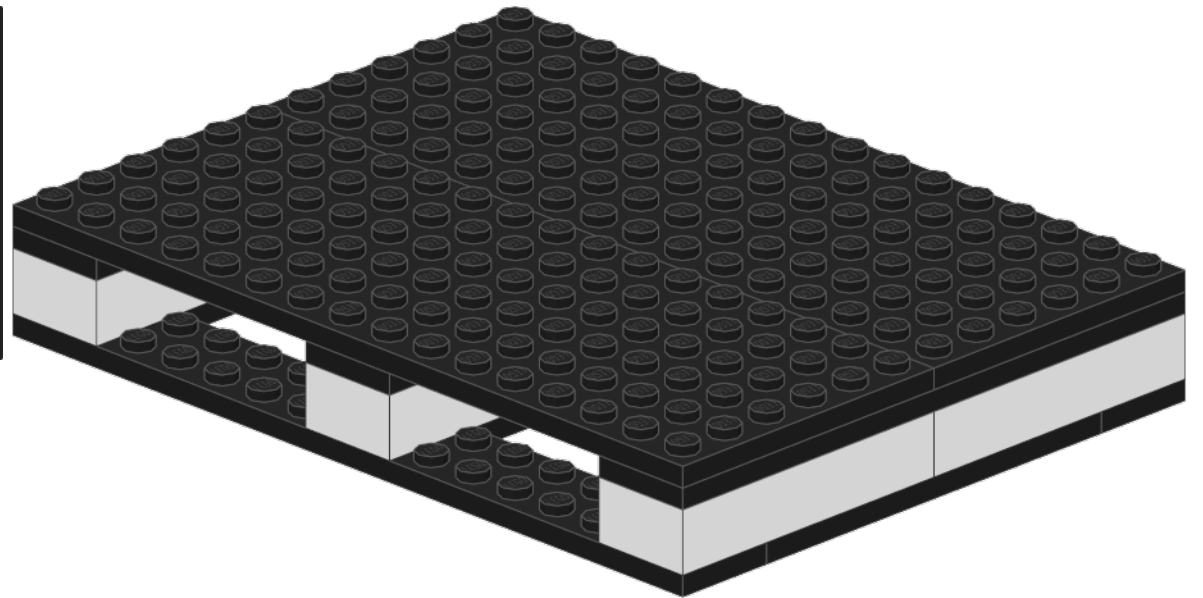
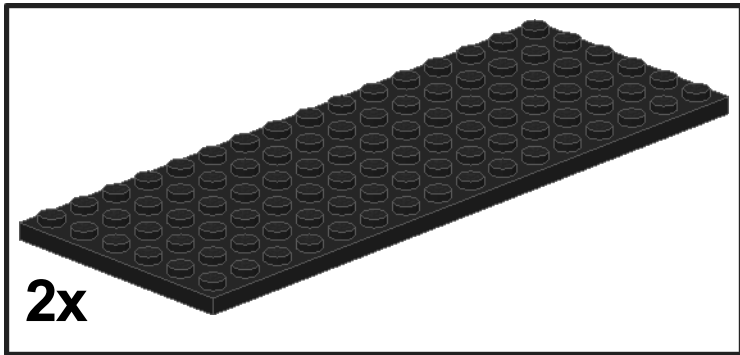
2







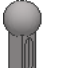


3

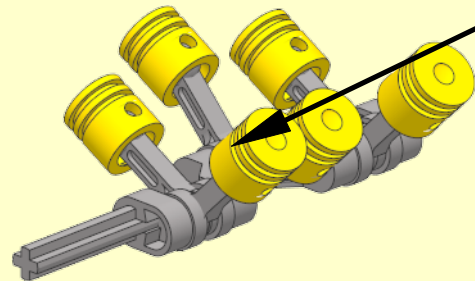
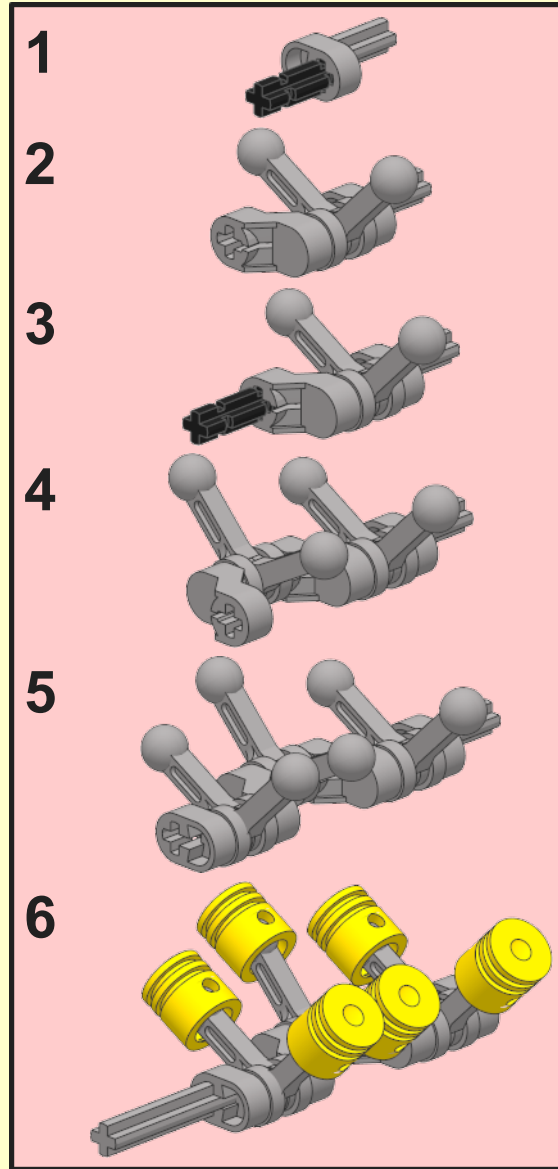


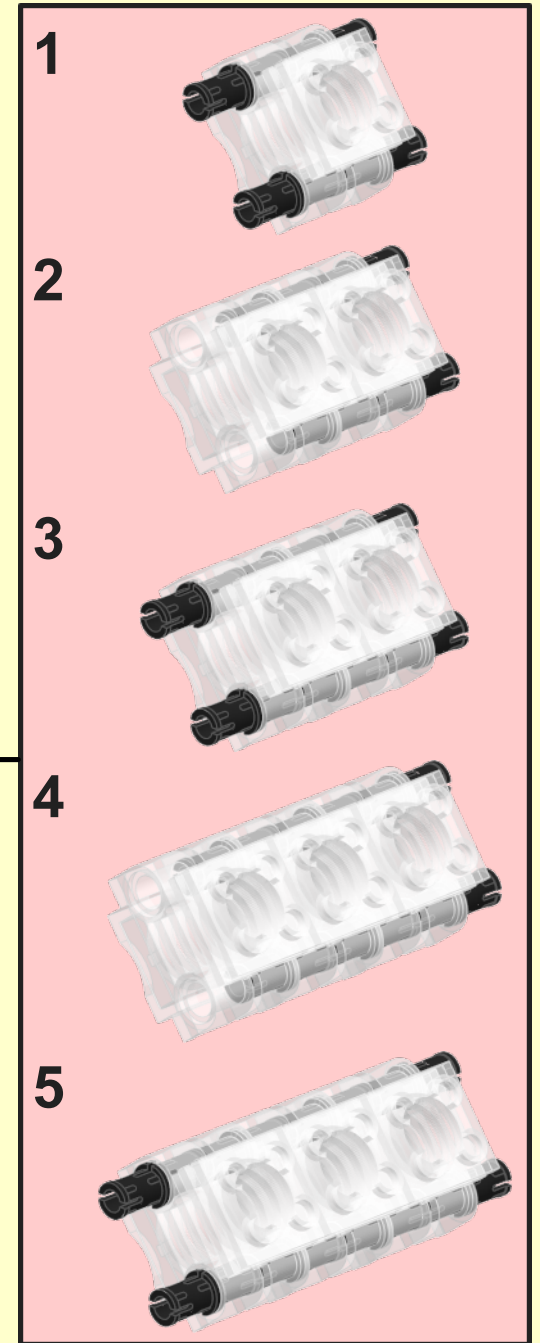
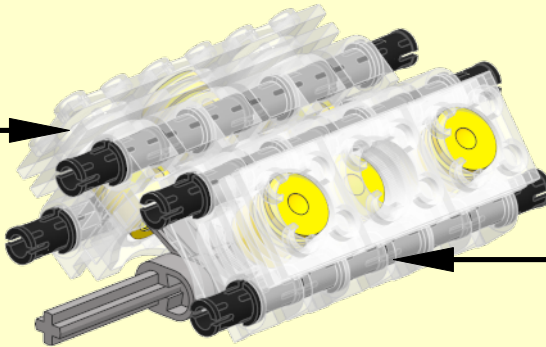
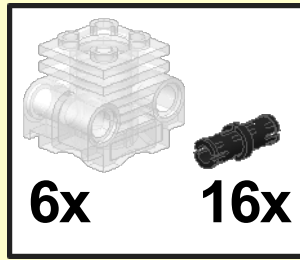
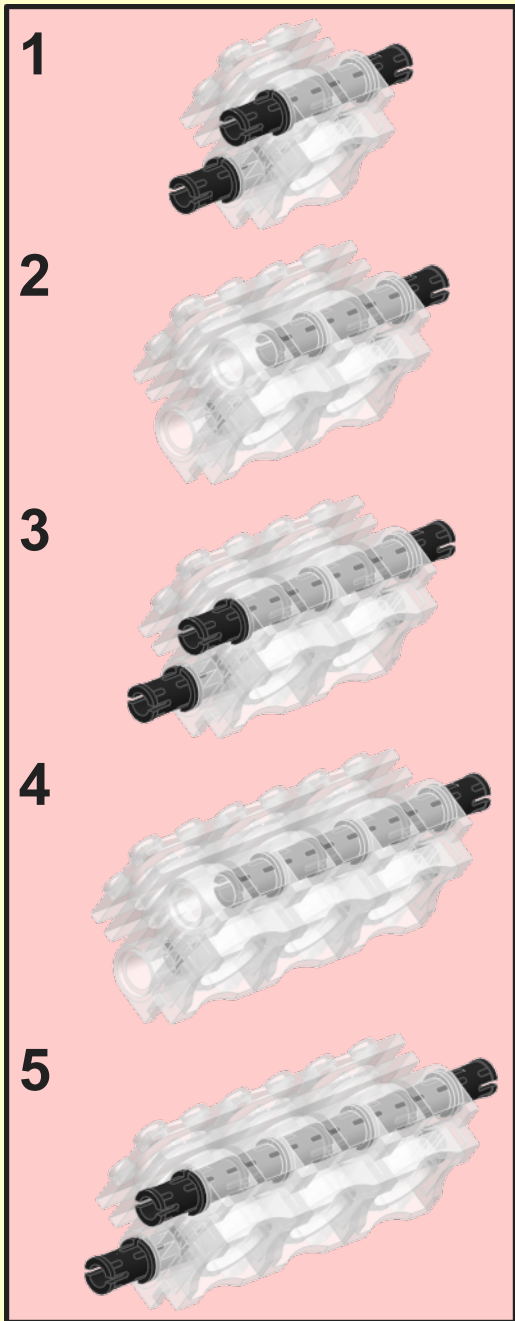
4



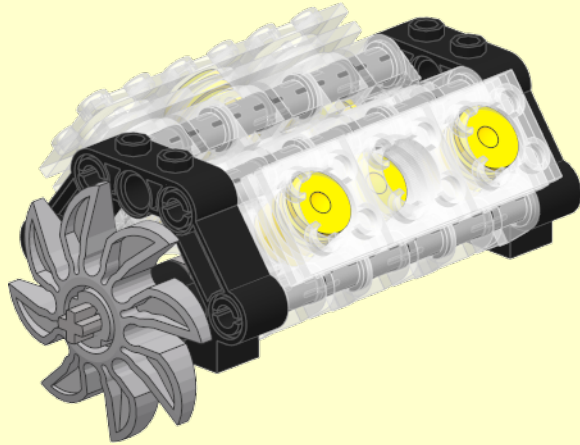
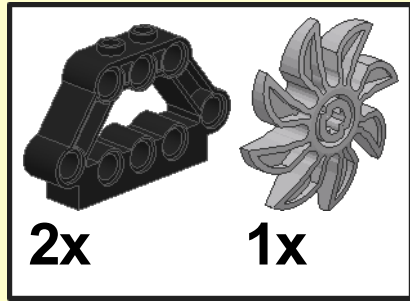
3

- |   |   |
|---|---|
| 2   |    |
|    | 2x  |
| 2x  |    |
|    | 6x  |
| 2x 3  |  |
|  | 6x  |
| 1x  |  |

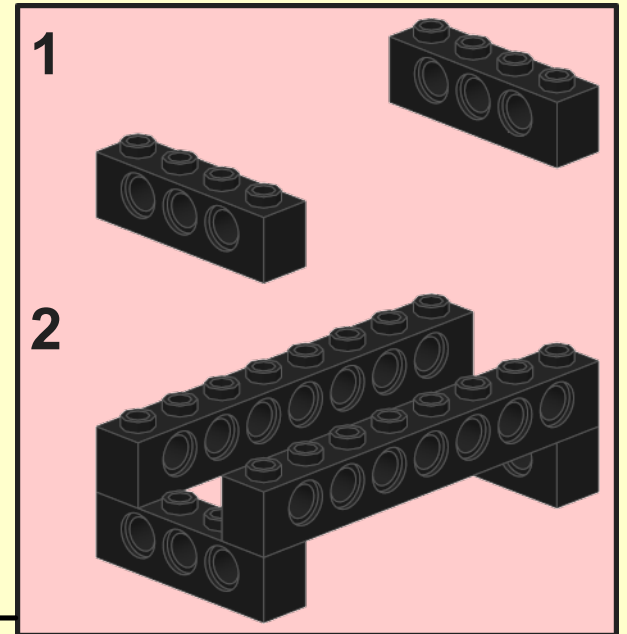
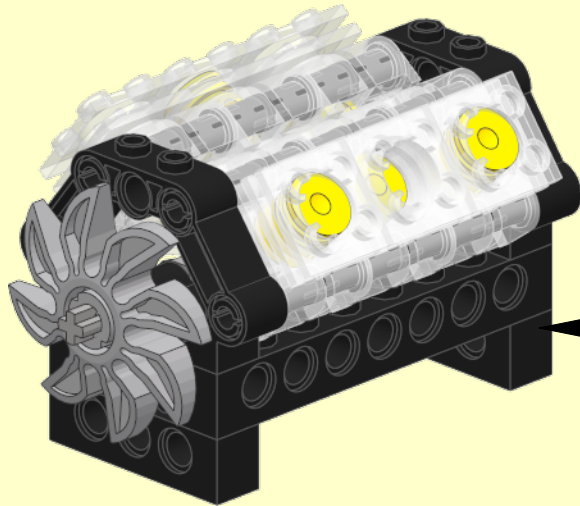
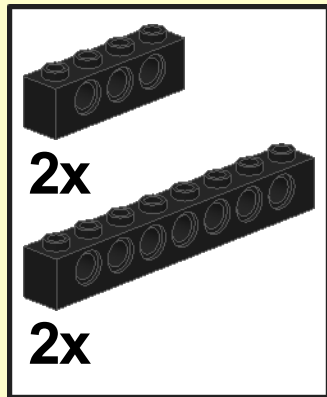




3



4



5

5



6